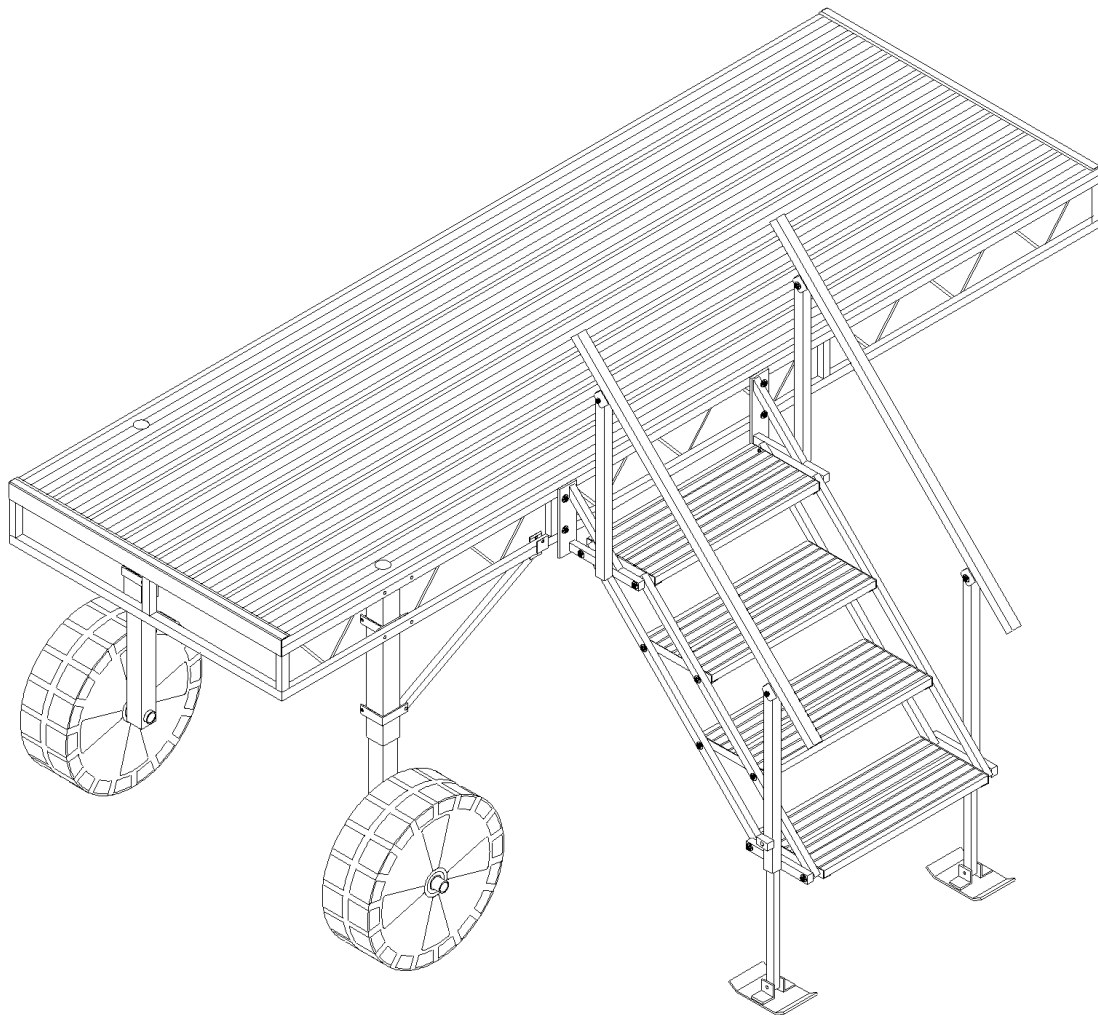




TRUSS DOCK STAIRS INSTRUCTIONS

(Applies to P/N's 4013112, 4013130, 4013142, 4013152,
4013156, 4013160, 4013166, 4013167, & 4013168)



Contents

1.	SAFETY	2
1.1.	INTRODUCTION	2
1.2.	SAFETY DEFINITIONS.....	2
1.3.	EQUIPMENT SAFETY LABELS	2
1.4.	EQUIPMENT AND PERSONNEL SAFETY	2
1.5.	PRE-INSTALLATION CHECKS	2
1.6.	ANNUAL INSPECTION	3
1.7.	STORAGE PROCEDURE	3
2.	SPECIFICATIONS.....	4
2.1.	TECHNICAL DATA.....	4
2.1.1.	T-DOCK STAIRS	4
3.	INSTALLATION AND SETUP.....	5
3.1.	STAIRWAY TREAD ASSEMBLY INSTRUCTIONS	5
3.1.1.	3-STEP TO 6-STEP STAIRWAY TREAD ASSEMBLY INSTRUCTIONS	5
3.1.2.	8-STEP TO 14-STEP STAIRWAY TREAD ASSEMBLY INSTRUCTIONS	6
3.2.	STAIRWAY HANDRAIL ASSEMBLY	7
3.3.	STAIRWAY EXTENSION LEG AND FOOT PLATE ASSEMBLY.....	8
3.4.	STAIRWAY MOUNTING AND ADJUSTMENT	9
4.	PARTS LISTS.....	10
4.1.	4013160 T-DOCK STAIRS 3-STEP	10
4.2.	4013112 T-DOCK STAIRS 4-STEP	10
4.3.	4013152 T-DOCK STAIRS 5-STEP	11
4.4.	4013130 T-DOCK STAIRS 6-STEP	11
4.5.	4013156 T-DOCK STAIRS 8-STEP	12
4.6.	4013142 T-DOCK STAIRS 10-STEP	12
4.7.	4013166 T-DOCK STAIRS 12-STEP	13
4.8.	4013167 T-DOCK STAIRS 13-STEP	13
4.9.	4013168 T-DOCK STAIRS 14-STEP	14
	TWO YEAR LIMITED WARRANTY	15

1. SAFETY

1.1. INTRODUCTION

Your Reimann & Georger Corporation Marine Products dock accessory has been engineered to provide reliable performance, long term economics and safety advantages that no other type can match. However, even a well-designed and well-built accessory can malfunction or become hazardous in the hands of an inexperienced and/or untrained user. Therefore, read this manual, and related equipment manuals thoroughly before using your dock to provide maximum safety for all personnel, and to get the maximum benefit from your equipment.

1.2. SAFETY DEFINITIONS

A safety message alerts you to potential hazards that could hurt you or others or cause property damage. The safety messages or signal words for product safety signs are **DANGER**, **WARNING**, and **CAUTION**. Each safety message is preceded by a safety alert symbol and is defined as follows:

DANGER: Indicates an imminently hazardous situation that, if not avoided, **will** cause death or serious injury. This safety message is limited to the most extreme situations.

WARNING: Indicates a potentially hazardous situation which, if not avoided, **could** result in death or serious injury.

CAUTION: Indicates a potentially hazardous situation which, if not avoided, **may** result in minor or moderate injury. It may also be used to alert against unsafe practices and property-damage-only accidents.

1.3. EQUIPMENT SAFETY LABELS

These labels warn you of potential hazards that could cause injury. Read them carefully. If a label comes off or becomes illegible, contact a Reimann & Georger Corporation dealer for a free replacement.

1.4. EQUIPMENT AND PERSONNEL SAFETY

1. Do not assemble or use the stairway if any part shows any signs of damage.
2. Do not weld or otherwise modify any part of the stairway assembly. Such alterations may weaken the structural integrity of the unit and void the warranty.
3. Ensure that all bolts and nuts are fastened securely prior to using the stairway.
4. Ensure that all the assembled frames are level and square.
5. All stairway accessories must be commercially manufactured and be properly maintained and installed.
6. Do not install or use the stairway under the influence of drugs, alcohol, or medication.
7. The stairway is intended to support the weight of people only. Do not place any type of watercraft or any heavy equipment on the stairway.
8. Do not leave objects such as boating hardware laying on the stairway. These can cause someone to trip and fall into the water.
9. Do not use the stairway during an electrical storm.
10. Do not allow anyone to swim or play under, near or on the stairway at any time.
11. Immediately replace any components found to be defective.
12. Do not allow persons other than authorized service personnel to repair this equipment.

1.5. PRE-INSTALLATION CHECKS

1. Check the parts list to ensure that you have all the correct parts for the stairway configuration you are planning to build.
2. If any parts are missing or damaged, contact your local supplier or Reimann & Georger Corporation. Do NOT assemble if any part shows any signs of damage.
3. Measure water depth where each support post will be located.



CAUTION:

DO NOT EXCEED THE MAXIMUM TORQUE RATING ON ALL BOLTS.

1.6. ANNUAL INSPECTION

At least once a year, the dock stairway must be thoroughly inspected.



WARNING:

DO NOT ALLOW ANYBODY TO USE THE DOCK STAIRWAY UNTIL THIS MAINTENANCE IS COMPLETED.

1. Ensure all bolts are tight.
2. Check frame thoroughly for defects.

1.7. STORAGE PROCEDURE



CAUTION:

DO NOT ALLOW DOCK STAIRWAY OR DOCK SECTIONS TO REMAIN IN WATER IF BELOW FREEZING TEMPERATURES ARE EXPECTED. FORMATION OF ICE MAY DAMAGE FRAME MEMBERS.

1. Remove the dock stairway before the water freezes.
2. Store the dock stairway away from the edge of the water to prevent ice damage.

2. SPECIFICATIONS

2.1. TECHNICAL DATA

2.1.1. T-DOCK STAIRS

T-Dock stairs overall width: 36-11/16"

T-Dock stairs tread dimensions: 12" x 29-1/8"

Foot plate size: 6" x 9-3/4"

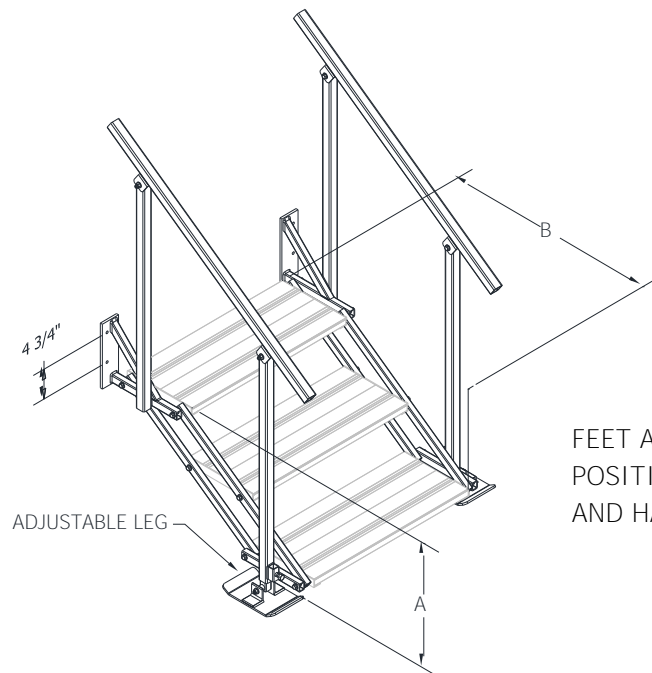
	SHALLOWEST	STEEPEST
RISE PER TREAD	2.75 IN	12.375 IN
RUN PER TREAD	12.2 IN	1.75 IN
ANGLE	13°	82°

Overall rise and run dimensions for recommended per tread values (3-6 STEP)

	3-STEP	4-STEP	5-STEP	6-STEP		
MIN A	12	16	20	24	MIN RISE PER TREAD	4
MIN B	39	52	66	79	MIN RUN PER TREAD	13
MAX A	34	41	48	55	MAX RISE PER TREAD	7
MAX B	36	48	60	73	MAX RUN PER TREAD	12

Overall rise and run dimensions for recommended per tread values (8-14 STEP)

	8-STEP	10-STEP	12-STEP	13-STEP	14-STEP		
MIN A	32	40	48	52	56	MIN RISE PER TREAD	4
MIN B	95	119	142	154	166	MIN RUN PER TREAD	12
MAX A	69	83	97	104	111	MAX RISE PER TREAD	7
MAX B	84	105	126	136	147	MAX RUN PER TREAD	10



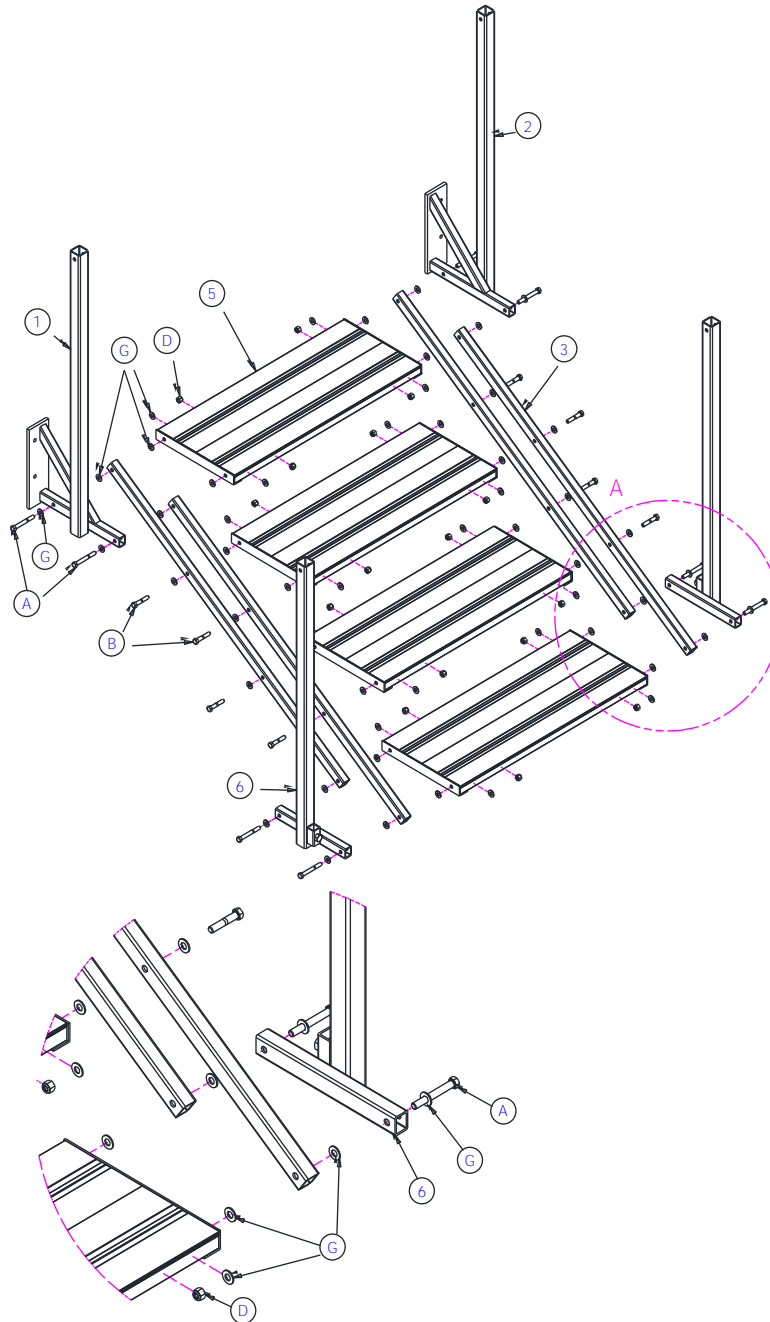
FEET ADD 2.25" IN LOWEST POSITION TO OVERALL HEIGHT AND HAS 18" OF EXTENSION

3. INSTALLATION AND SETUP

3.1. STAIRWAY TREAD ASSEMBLY INSTRUCTIONS

3.1.1. 3-STEP TO 6-STEP STAIRWAY TREAD ASSEMBLY INSTRUCTIONS

1. Refer to below. Starting with the inner stair treads (5), assemble each center tread to two side stringers (3) on each side. Use bolts (B), flat washers (G) & locking nuts (D). Make sure a flat washer (G) is installed between each aluminum tube member and stair treads. **Do Not Tighten At This Time.**
2. Assemble the bottom stair tread (5), and the lower handrail supports (6). Use bolts (A), flat washers (G), & locking nuts (D). Make sure a flat washer (G) is installed between each aluminum tube member and stair tread. **Do Not Tighten At This Time.**
3. Assemble the top stair tread (5), and both top stair mount / handrail supports (1 & 2). Make sure a flat washer (G) is installed between each aluminum tube member and stair tread. **Do Not Tighten At This Time.**



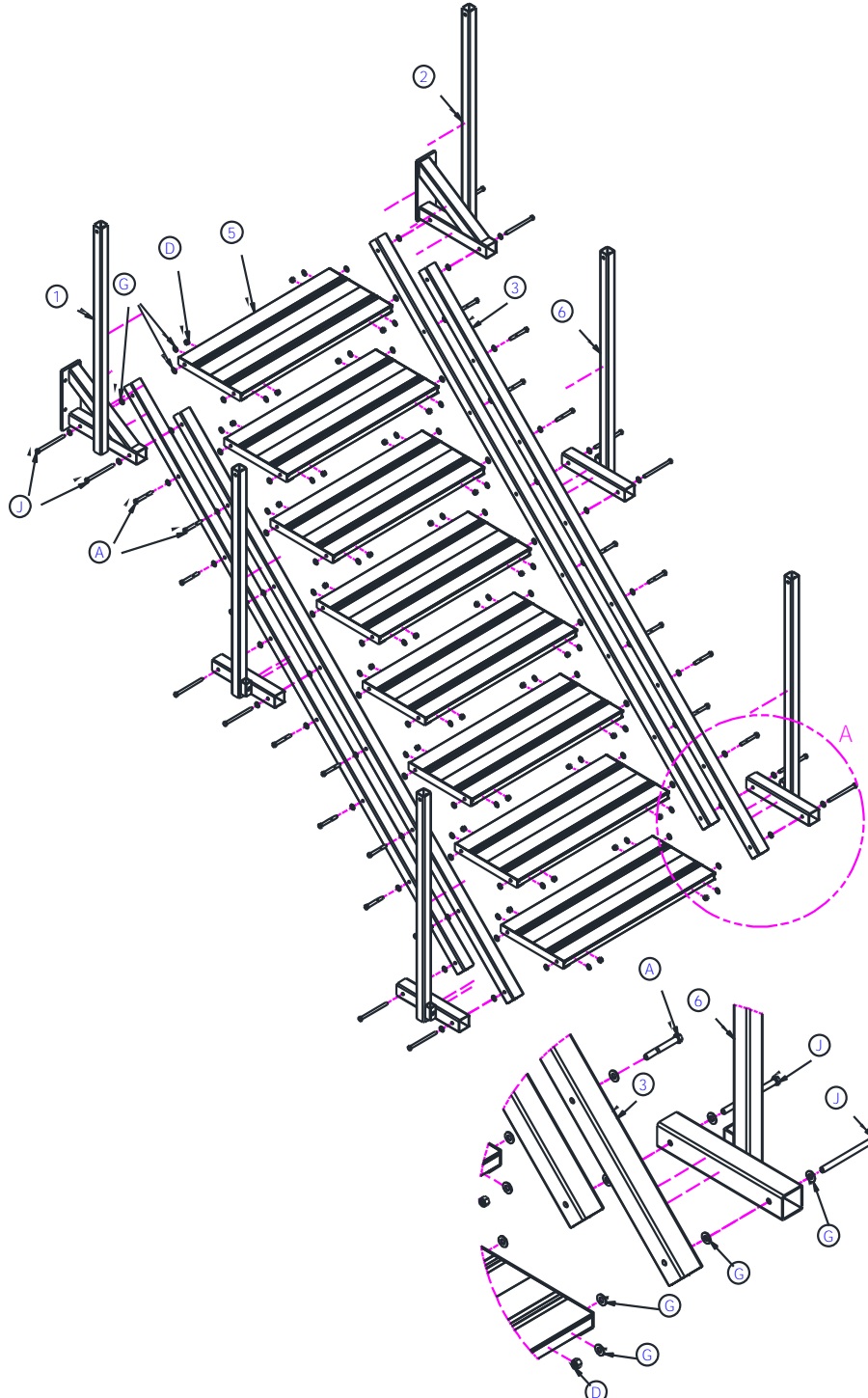
	QTY	BASE UNIT
	2	
	14	
	76	
	26	
	4	
	8	
	2	
	4	
	2	
BRKT	1	
BRKT	1	
	2	
	2	
	2	
	2	
	1	
MNT 59°	2	
MNT	4	
ACK	4	

3.1.2. 8-STEP TO 14-STEP STAIRWAY TREAD ASSEMBLY INSTRUCTIONS

1. Refer to Figure below. Starting with the inner stair treads (5), assemble each center tread to two side stringers (3) on each side. Use bolts (A), flat washers (G) & locking nuts (D). Make sure a flat washer (G) is installed between each aluminum tube member and stair tread. **Do Not Tighten At This Time.**
2. Assemble the bottom stair tread (5), and the lower handrail supports (6). Use bolts (J), flat washers (G), & locking nuts (D). Make sure a flat washer (G) is installed between each aluminum tube member and stair tread. **Do Not Tighten At This Time.**
3. Assemble the top stair tread (5), and both top stair mount / handrail supports (1 & 2). Use bolts (J), flat washers (G) & locking nuts (D). Make sure a flat washer (G) is installed between each aluminum tube member and stair tread. **Do Not Tighten At This Time.**

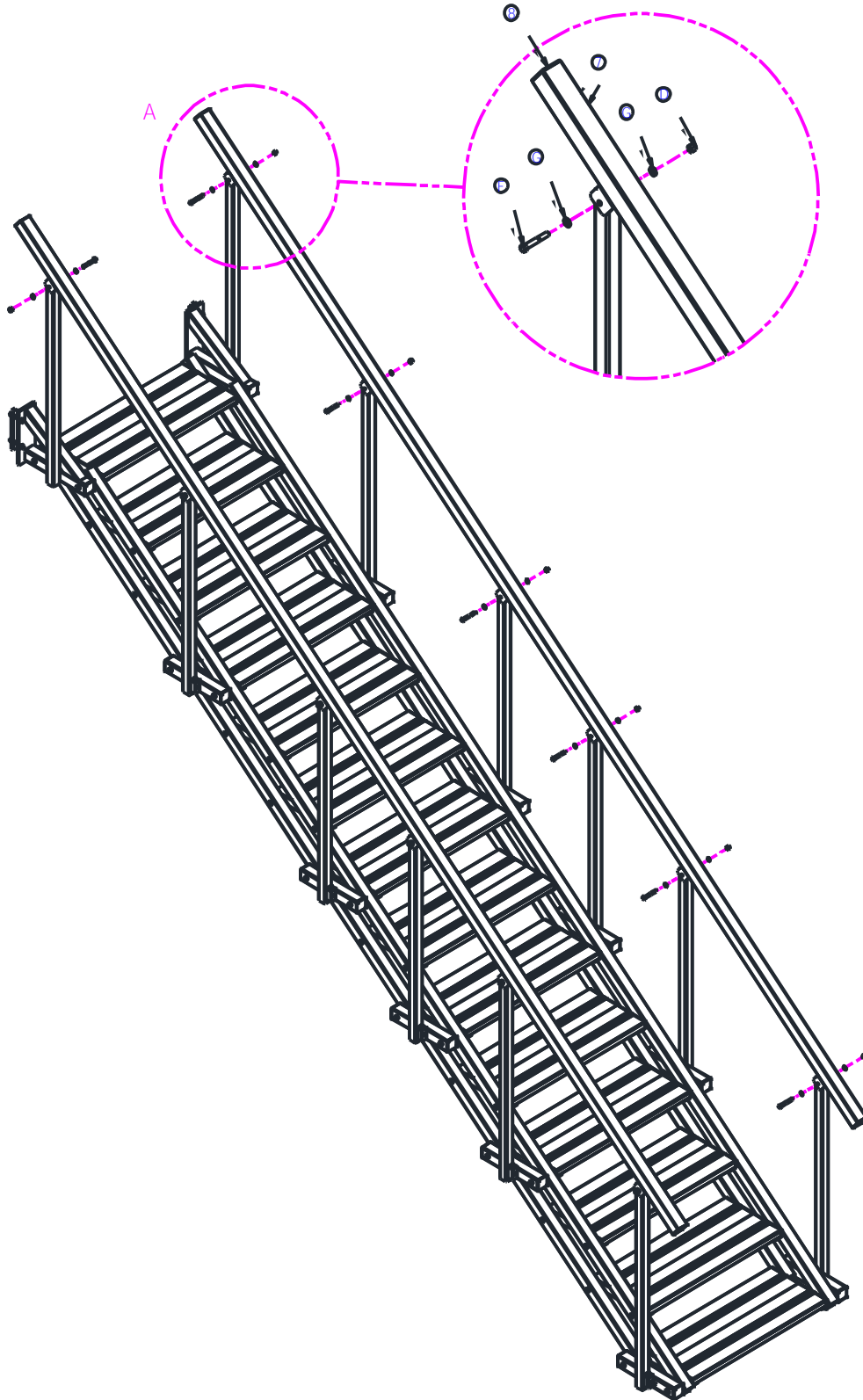
QTY BASE UNIT

8
2
22
20
124
12
40
8
1
4
2
2
4
1
2
2
2



3.2. STAIRWAY HANDRAIL ASSEMBLY

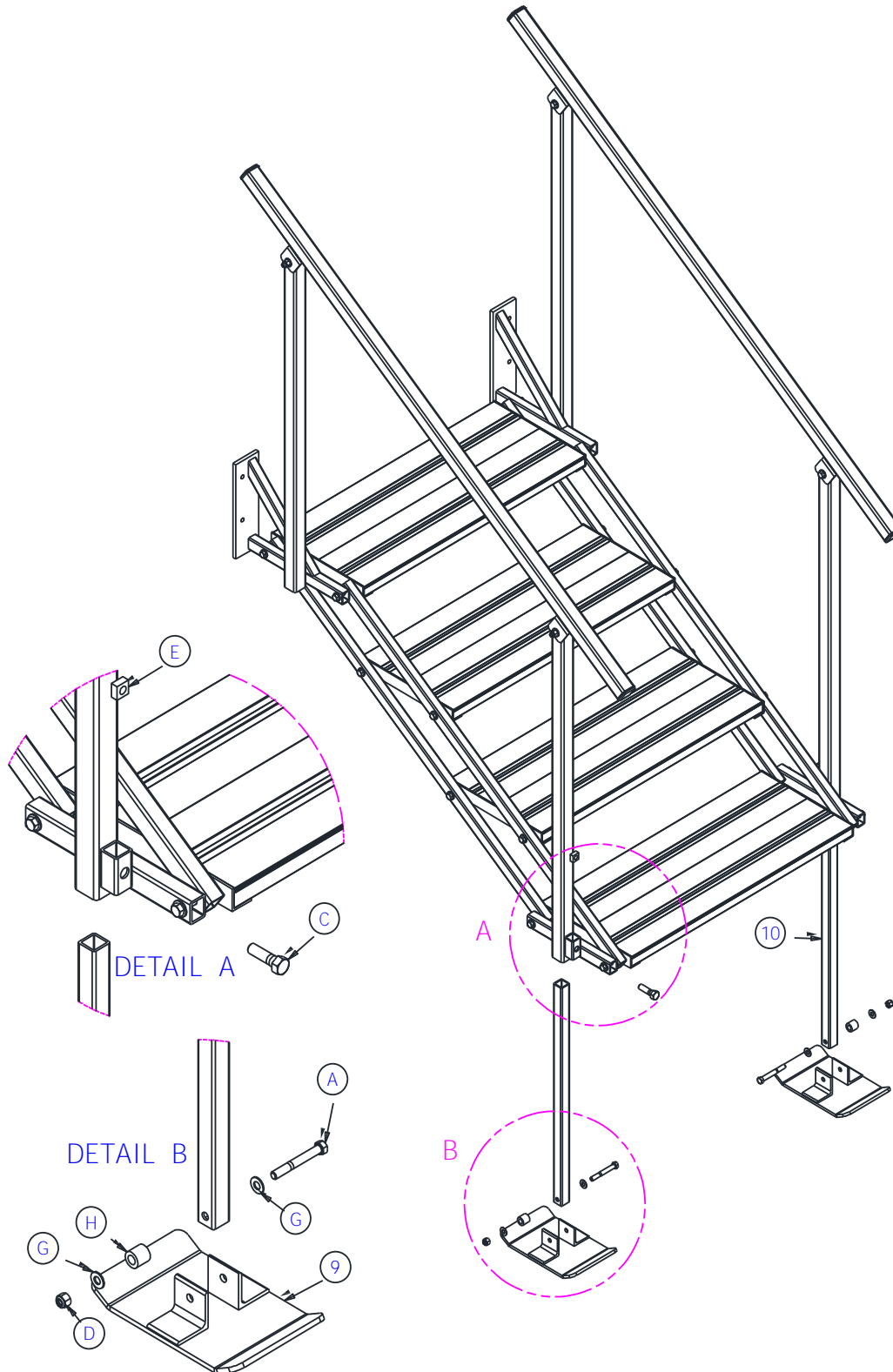
1. Refer to Figure below. Assemble the two handrails (7). Use bolts (F), flat washers (G), & locking nuts (D). **Do Not Tighten At This Time.**
2. Install square plastic plug (8) into each handrail end.



	QTY	BASE UNIT
ION	2	
MP	1	
ER MTG BRKT	1	
ER MTG BRKT	1	
R 14-STEP	4	
SS	223	
29" WLDMNT	14	
AIL SUPT	10	
AIL WLDMT	2	
	24	
	34	
S	16	
16 ALUM	74	
AP	26	
	2	
AY PVC	2	
G 24"	2	
	2	
S	2	

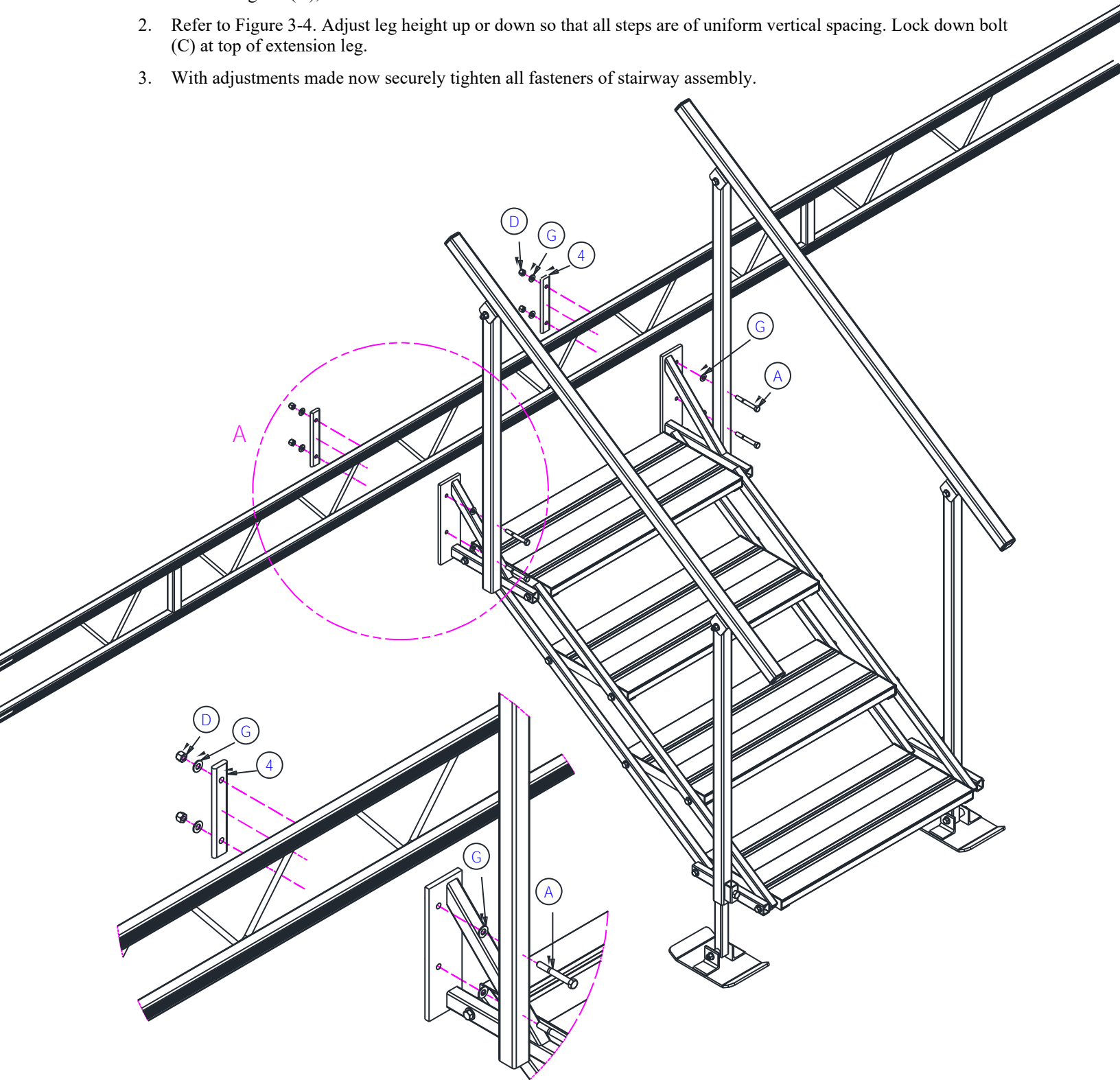
3.3. STAIRWAY EXTENSION LEG AND FOOT PLATE ASSEMBLY

1. Refer to Figure below. Assemble the two foot plates (9), to the extension legs (10). Use bolt (A), spacer (H), flat washer (G), and locking nut (D) for each.
2. Install the two extension leg assemblies into the bottom handrail support tube. Place square nut (E) into capture nut housing and attach with bolts (C). **Do Not Tighten At This Time.**



3.4. STAIRWAY MOUNTING AND ADJUSTMENT

1. Refer to Figure below. Install stairway to the dock using mounting support clamp (4). Use bolt (A), flat washers (G) and locking nut (D), for each side.
2. Refer to Figure 3-4. Adjust leg height up or down so that all steps are of uniform vertical spacing. Lock down bolt (C) at top of extension leg.
3. With adjustments made now securely tighten all fasteners of stairway assembly.



4. PARTS LISTS

Each reference number or letter in the following parts lists can be matched with the reference number or letter referred to in both the text and illustrations of Section 3.

4.1. 4013160 T-DOCK STAIRS 3-STEP

REF #	PART #	QTY	DESCRIPTION
1	4013317	1	T-DOCK STAIRS TOP MOUNTING WELDMENT LH
2	4013320	1	T-DOCK STAIRS TOP MOUNTING WELDMENT RH
3	4013580	4	T-DOCK STAIR STRINGER 3-STEP
4	4013526	2	T-DOCK STAIR MTG CLAMP
5	4013323	3	T-DOCK STAIR TREAD 29" WELDMENT
6	4013314	2	T-DOCK STAIRS HANDRAIL SUPPORT WELDMENT
7	4013376	2	T-DOCK HAND RAIL WELDMENT 45"
-	4013232	1	T-DOCK STAIR 3-6 STEP CAP BAG consisting of;
8	6403799	4	PLASTIC CAP 1-1/2" SQ
9	4002208	2	DOCK FOOT PLATE 6X9-3/4
10	4013523	2	T-DOCK STAIRS EXT LEGS 24"
-	4013252	1	T-DOCK STAIRS 3-STEP BAG OF BOLTS consisting of;
A	5896255	14	HHCS 3/8-16 X 3 SS
B	5896251	4	HHCS 3/8-16 X 2 SS
C	5896283	2	HHCS 1/2-13 X 1-3/4 SS
D	5840103	22	NUT HEX NYLOCK 3/8-16 ALUM
E	5840105	2	NUT SQ 1/2-13 ALUM
F	5896253	4	HHCS 3/8-16 X 2-1/2 SS
G	5896406	62	WASHER FLAT SAE 3/8" SS
H	4013577	2	T-DOCK STAIR FOOTPLATE SPACER

4.2. 4013112 T-DOCK STAIRS 4-STEP

REF #	PART #	QTY	DESCRIPTION
1	4013317	1	T-DOCK STAIRS TOP MOUNTING WELDMENT LH
2	4013320	1	T-DOCK STAIRS TOP MOUNTING WELDMENT RH
3	4013532	4	T-DOCK STAIR STRINGER 4-STEP
4	4013526	2	T-DOCK STAIR MTG CLAMP
5	4013323	4	T-DOCK STAIR TREAD 29" WELDMENT
6	4013314	2	T-DOCK STAIRS HANDRAIL SUPPORT WELDMENT
7	4013302	2	T-DOCK HAND RAIL WELDMENT 59"
-	4013232	1	T-DOCK STAIR 3-6 STEP CAP BAG consisting of;
8	6403799	4	PLASTIC CAP 1-1/2" SQ
9	4002208	2	DOCK FOOT PLATE 6X9-3/4
10	4013523	2	T-DOCK STAIRS EXT LEGS 24"
-	4013205	1	T-DOCK STAIRS 4-STEP BAG OF BOLTS consisting of;
A	5896255	14	HHCS 3/8-16 X 3 SS
B	5896251	8	HHCS 3/8-16 X 2 SS
C	5896283	2	HHCS 1/2-13 X 1-3/4 SS
D	5840103	26	NUT HEX NYLOCK 3/8-16 ALUM
E	5840105	2	NUT SQ 1/2-13 ALUM
F	5896253	4	HHCS 3/8-16 X 2-1/2 SS
G	5896406	74	WASHER FLAT SAE 3/8" SS
H	4013577	2	T-DOCK STAIR FOOTPLATE SPACER

4.3. 4013152 T-DOCK STAIRS 5-STEP

REF #	PART #	QTY	DESCRIPTION
1	4013317	1	T-DOCK STAIRS TOP MOUNTING WELDMENT LH
2	4013320	1	T-DOCK STAIRS TOP MOUNTING WELDMENT RH
3	4013565	4	T-DOCK STAIR STRINGER 5-STEP
4	4013526	2	T-DOCK STAIR MTG CLAMP
5	4013323	5	T-DOCK STAIR TREAD 29" WELDMENT
6	4013314	2	T-DOCK STAIRS HANDRAIL SUPPORT WELDMENT
7	4013372	2	T-DOCK HAND RAIL WELDMENT 73"
-	4013232	1	T-DOCK STAIR 3-6 STEP CAP BAG consisting of;
8	6403799	4	PLASTIC CAP 1-1/2" SQ
9	4002208	2	DOCK FOOT PLATE 6X9-3/4
10	4013523	2	T-DOCK STAIRS EXT LEGS 24"
-	4013248	1	T-DOCK STAIRS 5-STEP BAG OF BOLTS consisting of;
A	5896255	14	HHCS 3/8-16 X 3 SS
B	5896251	12	HHCS 3/8-16 X 2 SS
C	5896283	2	HHCS 1/2-13 X 1-3/4 SS
D	5840103	30	NUT HEX NYLOCK 3/8-16 ALUM
E	5840105	2	NUT SQ 1/2-13 ALUM
F	5896253	4	HHCS 3/8-16 X 2-1/2 SS
G	5896406	86	WASHER FLAT SAE 3/8" SS
H	4013577	2	T-DOCK STAIR FOOTPLATE SPACER

4.4. 4013130 T-DOCK STAIRS 6-STEP

REF #	PART #	QTY	DESCRIPTION
1	4013317	1	T-DOCK STAIRS TOP MOUNTING WELDMENT LH
2	4013320	1	T-DOCK STAIRS TOP MOUNTING WELDMENT RH
3	4013544	4	T-DOCK STAIR STRINGER 6-STEP
4	4013526	2	T-DOCK STAIR MTG CLAMP
5	4013323	6	T-DOCK STAIR TREAD 29" WELDMENT
6	4013314	2	T-DOCK STAIRS HANDRAIL SUPPORT WELDMENT
7	4013350	2	T-DOCK HAND RAIL WELDMENT 87"
-	4013232	1	T-DOCK STAIR 3-6 STEP CAP BAG consisting of;
8	6403799	4	PLASTIC CAP 1-1/2" SQ
9	4002208	2	DOCK FOOT PLATE 6X9-3/4
10	4013523	2	T-DOCK STAIRS EXT LEGS 24"
-	4013229	1	T-DOCK STAIRS 6-STEP BAG OF BOLTS consisting of;
A	5896255	14	HHCS 3/8-16 X 3 SS
B	5896251	16	HHCS 3/8-16 X 2 SS
C	5896283	2	HHCS 1/2-13 X 1-3/4 SS
D	5840103	34	NUT HEX NYLOCK 3/8-16 ALUM
E	5840105	2	NUT SQ 1/2-13 ALUM
F	5896253	4	HHCS 3/8-16 X 2-1/2 SS
G	5896406	98	WASHER FLAT SAE 3/8" SS
H	4013577	2	T-DOCK STAIR FOOTPLATE SPACER

4.5. 4013156 T-DOCK STAIRS 8-STEP

REF #	PART #	QTY	DESCRIPTION
1	4013356	1	T-DOCK STAIRS TOP MOUNTING WELDMENT LH
2	4013359	1	T-DOCK STAIRS TOP MOUNTING WELDMENT RH
3	4013571	4	T-DOCK STAIR STRINGER 8-STEP
4	4013526	2	T-DOCK STAIR MTG CLAMP
5	4013323	8	T-DOCK STAIR TREAD 29" WELDMENT
6	4013362	4	T-DOCK STAIRS HANDRAIL SUPPORT WELDMENT
7	4013373	2	T-DOCK HAND RAIL WELDMENT 104-1/2"
-	4013245	1	T-DOCK STAIR 8-14 STEP CAP BAG consisting of;
8	6436422	4	PLASTIC CAP 2" SQ
9	4002208	2	DOCK FOOT PLATE 6X9-3/4
10	4013523	2	T-DOCK STAIRS EXT LEGS 24"
-	4013243	1	T-DOCK STAIRS 8-STEP BAG OF BOLTS consisting of;
A	5896255	30	HHCS 3/8-16 X 3 SS
C	5896283	2	HHCS 1/2-13 X 1-3/4 SS
D	5840103	44	NUT HEX NYLOCK 3/8-16 ALUM
E	5840105	2	NUT SQ 1/2-13 ALUM
F	5896253	6	HHCS 3/8-16 X 2-1/2 SS
G	5896406	126	WASHER FLAT SAE 3/8" SS
H	4013577	2	T-DOCK STAIR FOOTPLATE SPACER
J	5896263	12	HHCS 3/8-16 X 5 SS

4.6. 4013142 T-DOCK STAIRS 10-STEP

REF #	PART #	QTY	DESCRIPTION
1	4013356	1	T-DOCK STAIRS TOP MOUNTING WELDMENT LH
2	4013359	1	T-DOCK STAIRS TOP MOUNTING WELDMENT RH
3	4013559	4	T-DOCK STAIR STRINGER 10-STEP
4	4013526	2	T-DOCK STAIR MTG CLAMP
5	4013323	10	T-DOCK STAIR TREAD 29" WELDMENT
6	4013362	6	T-DOCK STAIRS HANDRAIL SUPPORT WELDMENT
7	4013365	2	T-DOCK HAND RAIL WELDMENT 129-1/2"
-	4013245	1	T-DOCK STAIR 8-14 STEP CAP BAG consisting of;
8	6436422	4	PLASTIC CAP 2" SQ
9	4002208	2	DOCK FOOT PLATE 6X9-3/4
10	4013523	2	T-DOCK STAIRS EXT LEGS 24"
-	4013242	1	T-DOCK STAIRS 10-STEP BAG OF BOLTS consisting of;
A	5896255	30	HHCS 3/8-16 X 3 SS
C	5896283	2	HHCS 1/2-13 X 1-3/4 SS
D	5840103	54	NUT HEX NYLOCK 3/8-16 ALUM
E	5840105	2	NUT SQ 1/2-13 ALUM
F	5896253	8	HHCS 3/8-16 X 2-1/2 SS
G	5896406	154	WASHER FLAT SAE 3/8" SS
H	4013577	2	T-DOCK STAIR FOOTPLATE SPACER
J	5896263	16	HHCS 3/8-16 X 5 SS

4.7. 4013166 T-DOCK STAIRS 12-STEP

REF #	PART #	QTY	DESCRIPTION
-	4013171	1	T-DOCK STAIRWAY 12-STEP BUNDLE consisting of;
7	4013366	2	T-DOCK HAND RAIL WELDMENT 156.3"
3	4013560	4	T-DOCK STAIR STRINGER 12-STEP
-	4013174	1	T-DOCK STAIRWAY 12-STEP COP consisting of;
1	4013356	1	T-DOCK STAIRS TOP MOUNTING WELDMENT LH
2	4013359	1	T-DOCK STAIRS TOP MOUNTING WELDMENT RH
4	4013526	2	T-DOCK STAIR MTG CLAMP
5	4013323	12	T-DOCK STAIR TREAD 29" WELDMENT
6	4013362	8	T-DOCK STAIRS HANDRAIL SUPPORT WELDMENT
-	4013245	1	T-DOCK STAIR 8-14 STEP CAP BAG consisting of;
8	6436422	4	PLASTIC CAP 2" SQ
9	4002208	2	DOCK FOOT PLATE 6X9-3/4
10	4013523	2	T-DOCK STAIRS EXT LEGS 24"
-	4013257	1	T-DOCK STAIRS 12-STEP BAG OF BOLTS consisting of;
A	5896255	34	HHCS 3/8-16 X 3 SS
C	5896283	2	HHCS 1/2-13 X 1-3/4 SS
D	5840103	64	NUT HEX NYLOCK 3/8-16 ALUM
E	5840105	2	NUT SQ 1/2-13 ALUM
F	5896253	10	HHCS 3/8-16 X 2-1/2 SS
G	5896406	194	WASHER FLAT SAE 3/8" SS
H	4013577	2	T-DOCK STAIR FOOTPLATE SPACER
J	5896263	20	HHCS 3/8-16 X 5 SS

4.8. 4013167 T-DOCK STAIRS 13-STEP

REF #	PART #	QTY	DESCRIPTION
-	4013170	1	T-DOCK STAIRWAY 13-STEP BUNDLE consisting of;
7	4013367	2	T-DOCK HAND RAIL WELDMENT 168.8"
3	4013561	4	T-DOCK STAIR STRINGER 13-STEP
-	4013173	1	T-DOCK STAIRWAY 13-STEP COP consisting of;
1	4013356	1	T-DOCK STAIRS TOP MOUNTING WELDMENT LH
2	4013359	1	T-DOCK STAIRS TOP MOUNTING WELDMENT RH
4	4013526	2	T-DOCK STAIR MTG CLAMP
5	4013323	13	T-DOCK STAIR TREAD 29" WELDMENT
6	4013362	8	T-DOCK STAIRS HANDRAIL SUPPORT WELDMENT
-	4013245	1	T-DOCK STAIR 8-14 STEP CAP BAG consisting of;
8	6436422	4	PLASTIC CAP 2" SQ
9	4002208	2	DOCK FOOT PLATE 6X9-3/4
10	4013523	2	T-DOCK STAIRS EXT LEGS 24"
-	4013247	1	T-DOCK STAIRS 13-STEP BAG OF BOLTS consisting of;
A	5896255	38	HHCS 3/8-16 X 3 SS
C	5896283	2	HHCS 1/2-13 X 1-3/4 SS
D	5840103	68	NUT HEX NYLOCK 3/8-16 ALUM
E	5840105	2	NUT SQ 1/2-13 ALUM
F	5896253	10	HHCS 3/8-16 X 2-1/2 SS
G	5896406	206	WASHER FLAT SAE 3/8" SS
H	4013577	2	T-DOCK STAIR FOOTPLATE SPACER
J	5896263	20	HHCS 3/8-16 X 5 SS

4.9. 4013168 T-DOCK STAIRS 14-STEP

REF #	PART #	QTY	DESCRIPTION
-	4013172	1	T-DOCK STAIRWAY 14-STEP BUNDLE consisting of;
7	4013369	2	T-DOCK HAND RAIL WELDMENT 181.3"
3	4013566	4	T-DOCK STAIR STRINGER 14-STEP
-	4013175	1	T-DOCK STAIRWAY 14-STEP COP consisting of;
1	4013356	1	T-DOCK STAIRS TOP MOUNTING WELDMENT LH
2	4013359	1	T-DOCK STAIRS TOP MOUNTING WELDMENT RH
4	4013526	2	T-DOCK STAIR MTG CLAMP
5	4013323	14	T-DOCK STAIR TREAD 29" WELDMENT
6	4013362	10	T-DOCK STAIRS HANDRAIL SUPPORT WELDMENT
-	4013245	1	T-DOCK STAIR 8-14 STEP CAP BAG consisting of;
8	6436422	4	PLASTIC CAP 2" SQ
9	4002208	2	DOCK FOOT PLATE 6X9-3/4
10	4013523	2	T-DOCK STAIRS EXT LEGS 24"
-	4013258	1	T-DOCK STAIRS 14-STEP BAG OF BOLTS consisting of;
A	5896255	38	HHCS 3/8-16 X 3 SS
C	5896283	2	HHCS 1/2-13 X 1-3/4 SS
D	5840103	74	NUT HEX NYLOCK 3/8-16 ALUM
E	5840105	2	NUT SQ 1/2-13 ALUM
F	5896253	12	HHCS 3/8-16 X 2-1/2 SS
G	5896406	226	WASHER FLAT SAE 3/8" SS
H	4013577	2	T-DOCK STAIR FOOTPLATE SPACER
J	5896263	24	HHCS 3/8-16 X 5 SS

TWO YEAR LIMITED WARRANTY

Reimann & Georger Corporation

Marine Products

This product is warranted by RGC® Marine Products to the original purchaser to be free from defects in material and workmanship under normal use for a period of two years from the date of purchase.

During the warranty period, and upon proof of purchase, the product will be repaired or replaced (with the same or similar model) at our option, without charge for either parts or labor when serviced at RGC® Marine Products.

Upon completion of repair, the unit will be returned to the customer freight prepaid. The warranty will not apply to this product if it has been misused, abused, or altered.

NEITHER THIS WARRANTY OR ANY OTHER WARRANTY, EXPRESS OR IMPLIED, INCLUDING IMPLIED WARRANTIES OF MERCHANTABILITY, SHALL EXTEND BEYOND THE WARRANTY PERIOD. NO RESPONSIBILITY IS ASSUMED FOR ANY INCIDENTAL OR CONSEQUENTIAL DAMAGES. SOME STATES DO NOT ALLOW EXCLUSION OR LIMITATION OF INCIDENTAL OR CONSEQUENTIAL DAMAGES, SO THE ABOVE LIMITATIONS OR EXCLUSIONS MAY NOT APPLY TO YOU.

This warranty gives you specific legal rights, and you may also have other rights which vary from state to state.