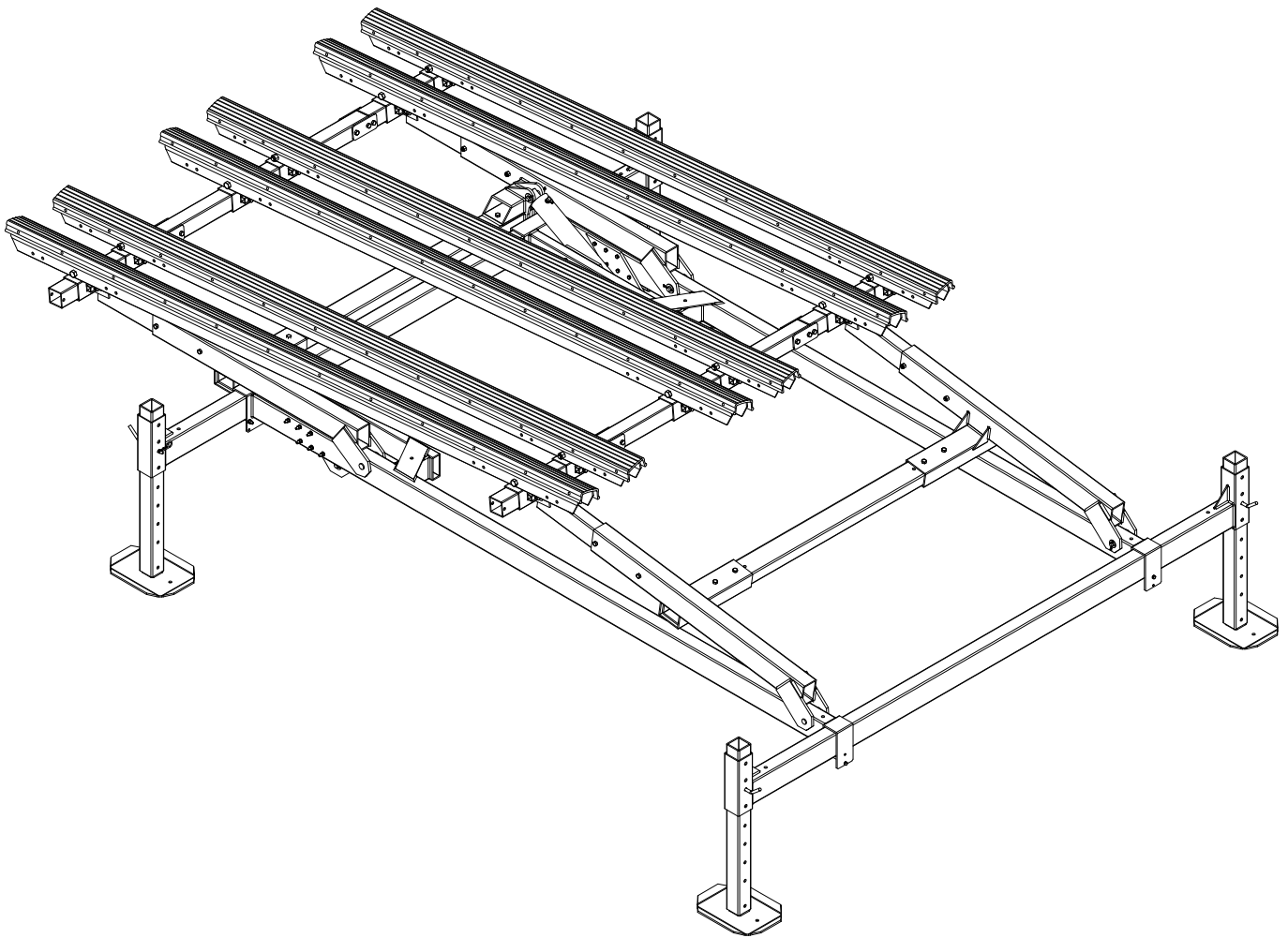




HL6-9K ADJ WIDTH LIFTARM TRITOON KIT INSTRUCTIONS

(Applies to P/N 4122038)



REIMANN & GEORGER CORPORATION
MARINE PRODUCTS
P/N 6114237

BUFFALO, NY
10/10/22

TABLE OF CONTENTS

CHAPTER	TITLE	PAGE
1	SAFETY	1
1.1	Introduction	1
1.2	Safety Definitions.....	1
1.3	Equipment Safety Labels.....	1
1.4	Safety Rules.....	1
1.5	Operational Safety	2
2	INSTALLATION AND SETUP	3
2.1	Pre-Installation Checks.....	3
2.2	Tools Required	3
2.3	HL6-9K Adjustable Width Lift Arm Bunk Removal	3
2.4	HL6-9K Adjustable Width Lift Arm Convert for Tritoon.....	4
2.5	HL6-9K Adjustable Width Lift Arm Inner Cross Tube Install.....	5
2.6	HL6-9K Adjustable Width Lift Arm Install Tritoon Bunk Support Bracket.....	5
2.7	HL6-9K Adjustable Width Lift Arm- Assemble Tritoon Bunks	6
2.8	HL6-9K Adjustable Width Lift Arm- Assemble Center Tube Support.....	7
2.9	HL6-9K Adjustable Width Lift Arm- Assemble Center Support Tube & Bracket.....	8
2.10	HL6-9K Adjustable Width Lift Arm- Assemble Center Bunks.....	8
3		
4	PARTS LISTS.....	12
4.1	HL Adj Width Lift Parts to be Reused for Pontoon Kit.....	12
4.2	HL6-9K Adj Width Lift Arm Tritoon Kit	12
4.3	HL6-9K Adj Width Lift Arm Tritoon Bundle	12
4.4	HL6-9K Adj Width Lift Arm Tritoon Carton of Parts.....	13

LIST OF FIGURES

FIGURE	DESCRIPTION	PAGE
2-1	HL Adj Width Lift Bunk and Hardware Removal.....	3
2-2	HL Adj Width Lift Arm Cross Tube Tritoon Conversion	4
2-3	HL Adj Width Lift Arm- Install Long Inner Cross Tube	5
2-4	HL Adj Width Lift Arm- Cross Tube Dimension Drill Chart	5
2-5	HL Adj Width Lift Arm Pontoon Bunk & Mounting Bracket Installation.....	6
2-6	HL Adj Width Lift Arm Tritoon Center Support Tube & Bracket assy	7
2-7A	HL Adj Width Lift Arm Center Support Assy with Equal Size Toons	8
2-7B	HL Adj Width Lift Arm Center Support Assy with Larger Center Toon	9
2-8A	HL Adj Width Lift Arm Center Support Assy with Equal Size Toons	10
2-8B	HL Adj Width Lift Arm Center Support Assy with Larger Center Toon	11

1 SAFETY

1.1 INTRODUCTION

Our Reimann & Georger Corporation Marine Products HL6-9K Adj Width Lift Arm Tritoon Kit is designed to lift boat by pontoons rather than deck and aid in proper positioning of boat on the lift. Your Tritoon Kit is well designed to convert a HL6-9K Adjustable Width Lift Arm Boat Lift to a Tritoon Lift. However, like any other equipment, it can malfunction or become hazardous in the hands of an inexperienced and/or untrained user. Therefore, read this manual and your related Hydraulic Lift manual, and related equipment manuals thoroughly before installing this kit and operating your lift to provide maximum safety for all operating personnel, and to get the maximum benefit from your equipment.

1.2 SAFETY DEFINITIONS

A safety message alerts you to potential hazards that could hurt you or others or cause property damage. The safety messages or signal words for product safety signs are **DANGER**, **WARNING**, and **CAUTION**. Each safety message is preceded by a safety alert symbol and is defined as follows:

DANGER: Indicates an imminently hazardous situation which, if not avoided, **will** cause death or serious injury. This safety message is limited to the most extreme situations.

WARNING: Indicates a potentially hazardous situation which, if not avoided, **could** result in death or serious injury.

CAUTION: Indicates a potentially hazardous situation which, if not avoided, **may** result in minor or moderate injury. It may also be used to alert against unsafe practices and property-damage-only accidents.

1.3 EQUIPMENT SAFETY LABELS

These labels warn you of potential hazards that could cause injury. Read them carefully. If a label comes off or becomes illegible, contact a Reimann & Georger Corporation dealer for a replacement.

1.4 SAFETY RULES



WARNING:

DO NOT INSTALL THIS KIT AND OPERATE THE LIFT WITHOUT READING BOTH THIS MANUAL AND YOUR HYDRAULIC LIFT MANUAL. FAILURE TO DO THIS CAN LEAD TO EQUIPMENT MISUSE WITH RESULTING DAMAGE AND/OR SERIOUS PERSONAL INJURY. CONTACT YOUR RGC® MARINE DEALER IF YOU HAVE ANY QUESTIONS.

1. Do not install this kit without first replacing any damaged or defective parts.
2. The Tritoon kit does not increase the rated capacity of the lift. Never use the lift beyond its rated capacity. This can damage the kit assembly, lift, and/or boat with resulting serious personal injury.
3. Never try using any part of this kit in an application for which it was not designed.
4. Do not weld or otherwise modify any part of this kit. Such alterations may weaken the structural integrity of the lift and void the warranty.
5. Do not try installing the pontoon brackets or bumpers with the weight of the boat on the lift. This can cause equipment damage and/or personal injury.
6. The following precautions must be observed when lifting any part of this equipment:
 - a. Be sure of your footing.
 - b. Bend your knees and lift with your legs.
 - c. Hold the equipment section close to your body when lifting.
7. After the Tritoon kit is installed, the operational safety checks listed below must be performed on your lift prior to operation. Details on these checks are given in your Hydraulic lift manual.

1.5 OPERATIONAL SAFETY

1. Before allowing anyone to operate the lift, be sure they fully understand the proper operating procedure.
2. Do not operate the lift under the influence of drugs, alcohol, or medication.
3. Keep people and pets clear during operation of the lift.
4. Keep fingers and clothing clear of all moving parts.
5. Never allow people in the boat any time it is suspended above the water on the platform.



WARNING:

**DO NOT STAND OR WALK ON THE PLATFORM WHILE IT IS IN ANY RAISED POSITION.
THIS CAN CAUSE SERIOUS PERSONAL INJURY.**

6. Do not allow anyone to swim or play under, near or on the lift at any time.
7. Ensure that all bolts and nuts are fastened securely on both this kit and the lift prior to operation.
8. Ensure that the frame is level and square.
9. Completely remove any user or dealer installed locking devices before operating the lift.
10. Ensure the center of gravity of the boat is between forward tube and rear foot plates. The boat must be secured on the lift before raising or lowering. Failure to do this can cause equipment damage and/or serious personal injury.
11. The boat must be stored with the lift in the over center position (fully up position).
12. A clear visual path is required when using remote transmitter. Obstacles, radio frequency interference, and weak transmitter batteries will degrade the performance and range of your remote transmitter.
13. Never adjust or service the lift during operation or while connected to the control box.
14. Do not adjust components in the control box while operating the lift.
15. Completely lower the platform before performing any type of maintenance or repair.
16. Never use the lift to hang or store any auxiliary equipment such as boating hardware.
17. At end of operation, secure the control box and the lift to prevent unauthorized use. Never assume you will find the equipment in the same condition in which you left it.
18. Never operate the remote control or hydraulic power unit when connecting or disconnecting hydraulic hoses.

2 INSTALLATION AND SET UP

2.1 PRE-INSTALLATION CHECKS

1. Do not assemble this kit or any other component of the lift if any part appears to be damaged.
2. Do not weld or other wise modify any portion of the lift. Such alterations may weaken the structural integrity of the lift and void the warranty.

2.2 TOOLS REQUIRED

1. 3/4" Wrenches or Adjustable Wrench.
2. Drill Motor.
3. 17/32" drill bit.

2.3 HL ADJUSTABLE WIDTH LIFT ARM BUNK REMOVAL

1. **Refer to Figure 2-1.** Remove HL bunks to convert and add parts to make a pontoon boat lift. Dis-assemble items Cotter Pin (C), 3/4" flat washer (D), Clevis Pin (B), and Bunk Spacers (E). Repeat three times to remove all bunk mounting pins. Keep these parts A thru E, they will be used later when installing the pontoon brackets. Remove the bunks and keep to be used later in the assembly.

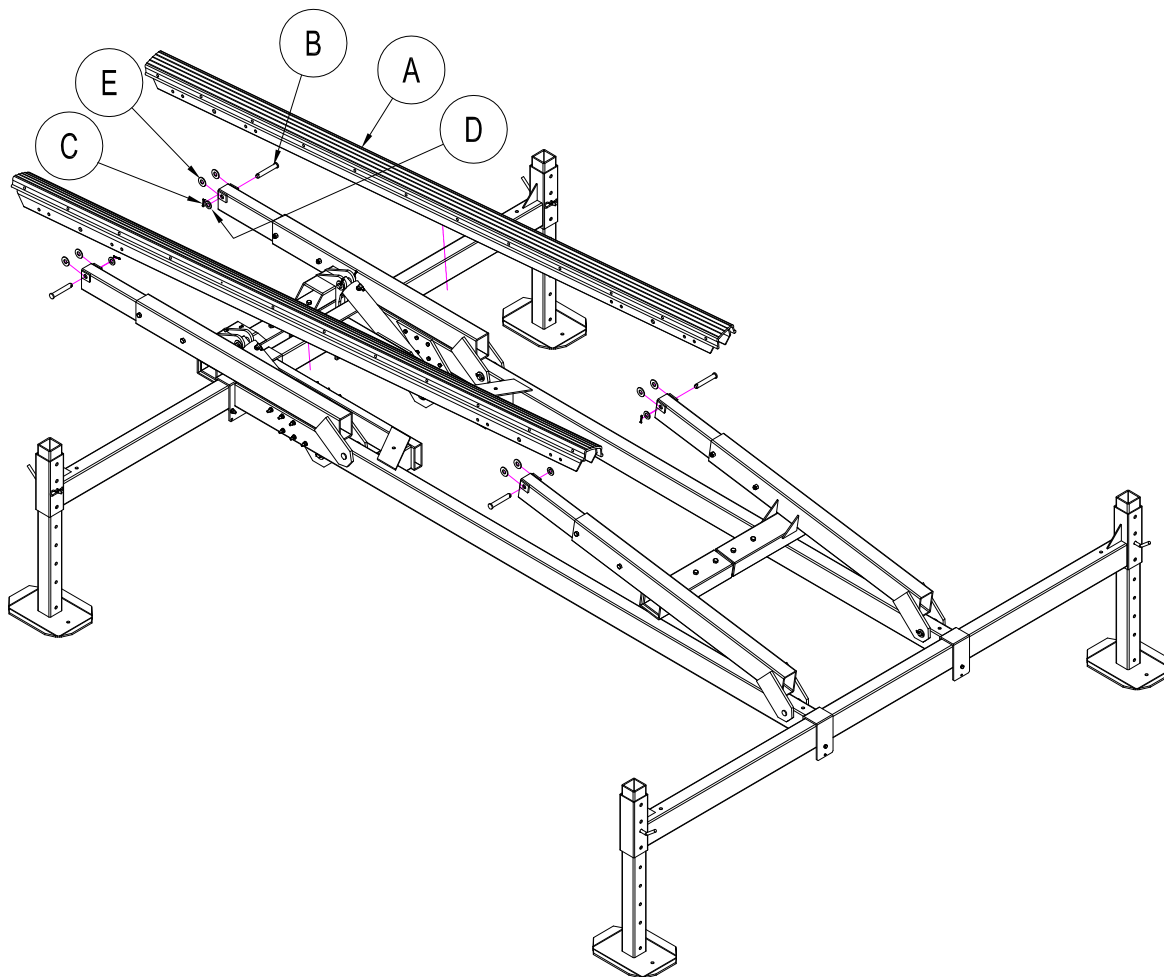


Figure 2-1.
Existing Lift bunk Removal to convert to Tritoon lift.

2.4 HL ADJUSTABLE WIDTH LIFT ARM CONVERT FOR PONTOON

1. Refer to Figure 2-2 & 2-3. The HL adjustable Width Lift Arms must be made wider for the pontoon lift. In Figure 2-2, remove the four 1/2-13 x 4" bolts (#3), four 1/2-13 x 4-1/2" bolts (#2) and eight 1/2-13 Nylock hex nuts (#4) using a 3/4" wrenches. These bolts will be used in figure 2-3.
2. After removing bolts, remove the short Inner Cross Tube and replace with long Inner Cross Tube Supplied with kit. The Long Inner Cross Tube (1) is pre-drilled for a Pontoon with 77" center to center toons. Drilling will be necessary for other width pontoons. See diagram 2-4 for drilling pattern.
3. Install the 1/2-13 bolts and Nylock nuts to securely attach the Inner Cross Tube to the Lift Arms.
4. The left and right main frames must be moved to accommodate the wider lift arms. Remove the 3/8-16 x 4-1/2" bolts, flat washers, lock washers & nuts from ends of the main frames. Slide the main frames outward as shown in figure 2-2.
5. After lift arms and main frames are in position. Install the 3/8-16 x 4-1/2" bolts onto the main frame and secure with the flat washers, lock washers & 3/8-16 nuts.

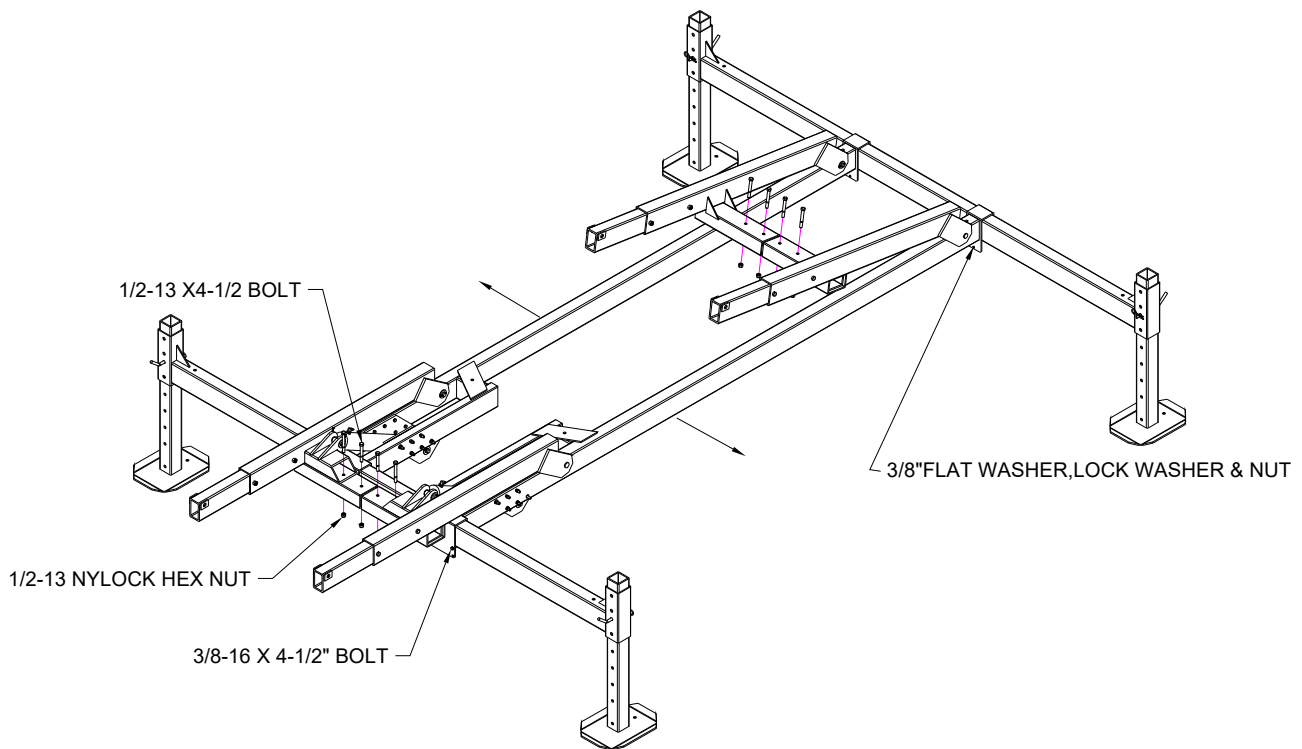


Figure 2-2.
Adj Width Lift Arm Inner Cross Tube Replace.

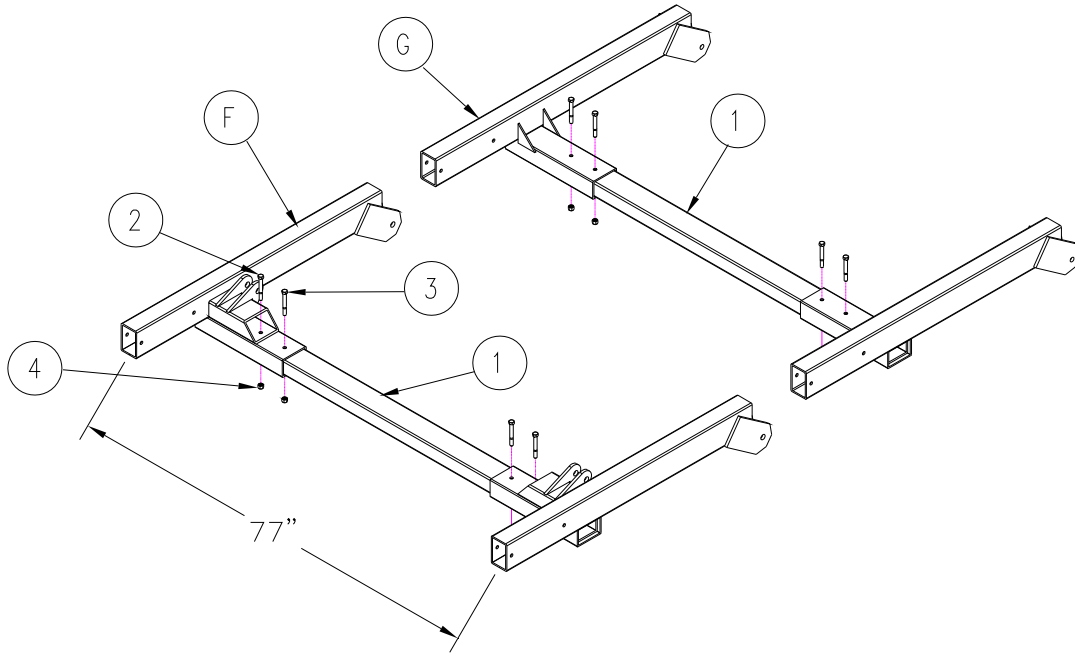


Figure 2-3.
Adj Width Lift Arm Install Long Inner Cross Tube

2.5 HL6-9 PONTOON INNER CROSS TUBE DRILLING LAYOUT

1. **Refer to Figure 2-4.** The HL6-9K Adj Width Lift Arm Tritoon kit is designed for 77.5" center to center toons. The inner cross tube for the HL lift arms are drilled for other Toon C-to-C of 75.5" & 72.5". If other widths are necessary, drilling new holes in the Inner Cross Tube are needed.

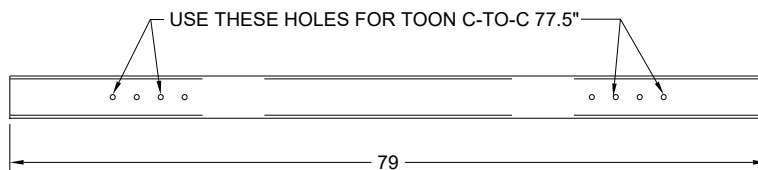


Figure 2-4.
Pontoon/Tritoon Inner Cross Tube

2.6 HL ADJUSTABLE WIDTH LIFT ARM INSTALL PONTOON SUPPORT BRACKETS

1. **Refer to Figure 2-5.** The HL adjustable Width Lift Arms Tritoon Kit includes four bunk support tube brackets that must be installed on the lift arms. Using parts A thru E removed in section 2.3, install the Tritoon Brackets on each end of Lift Arm.
2. Assemble eight HL bunk mount brackets. Install the eight 1/2-13 square nut (12) & eight 1/2-13 x 1-3/4 bolt (11) onto the bunk mount bracket (10).
3. Slide the bunk mounting brackets onto the bunk support bracket (5). Adjust the bunk mount bracket and lock in position using the 1/2-13 x 1-3/4 bolt.

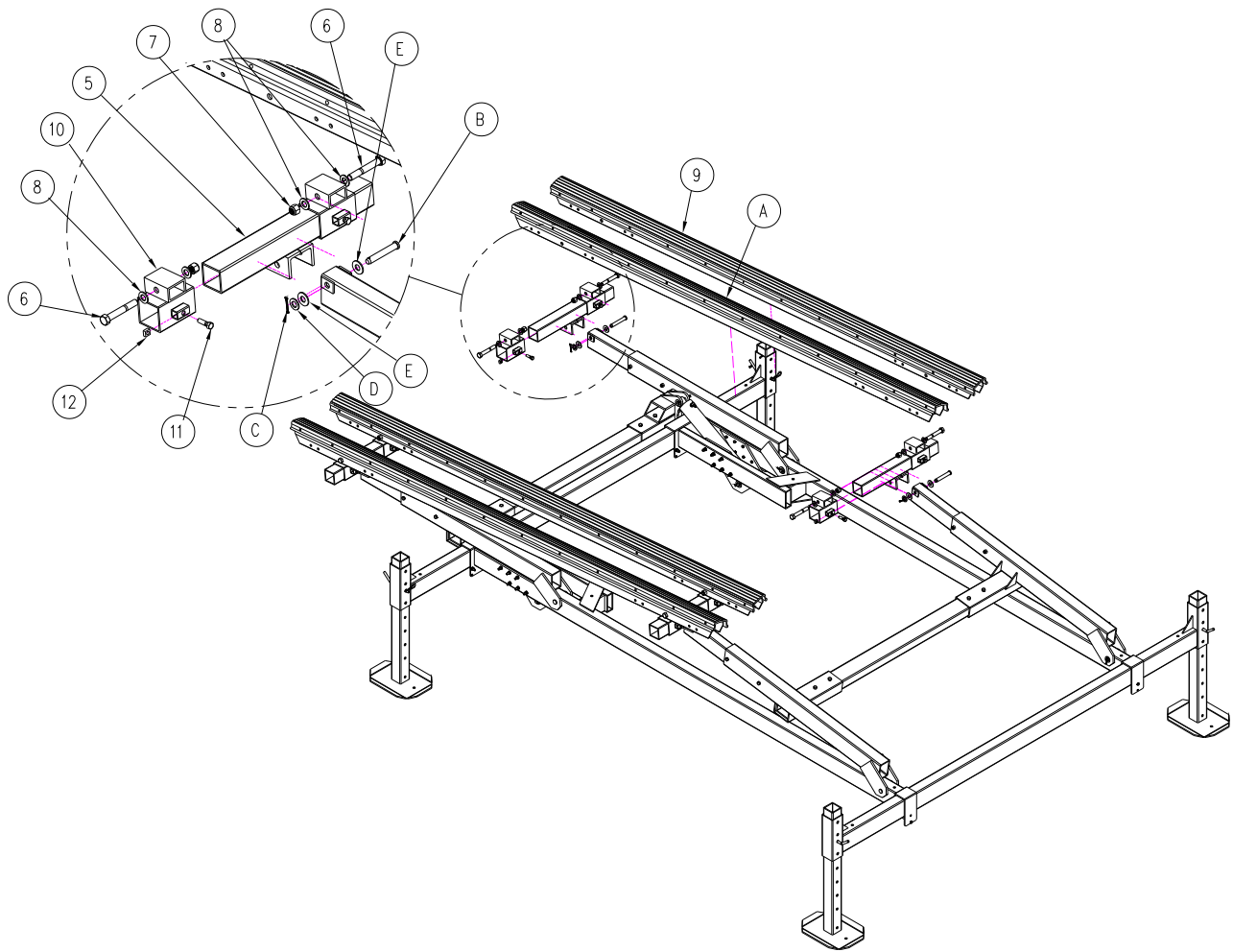


Figure 2-5.
Adj Width Lift Arm Pontoon Bracket Install.

2.7 HL ADJUSTABLE WIDTH LIFT ARM ASSEMBLE OUTSIDE TOON BUNKS

1. **Refer to Figure 2-5.** The HL adjustable Width Lift Arms Tritoon Kit includes four new Bunks (9) to install on the Lift.
2. Install the bunks onto the adjustable bunk mounting brackets using the eight 3/4-10 x 5 bolt (8), sixteen 3/4 flat washer (8) & eight 3/4-10 Nylock Hex nut (7).

2.8 HL ADJUSTABLE WIDTH LIFT ARM ASSEMBLE CENTER TOON BUNKS

1. **Refer to Figure 2-6.** Assemble two center support tubes. Install the 1/2-13 square nut (12) & 1/2-13 x 1-3/4 bolt (11) onto the bunk mount bracket (10).
2. Slide the bunk mounting brackets onto the center bunk support bracket (13). Adjust the bunk mount bracket and lock in position using the 1/2-13 x 1-3/4 bolt.

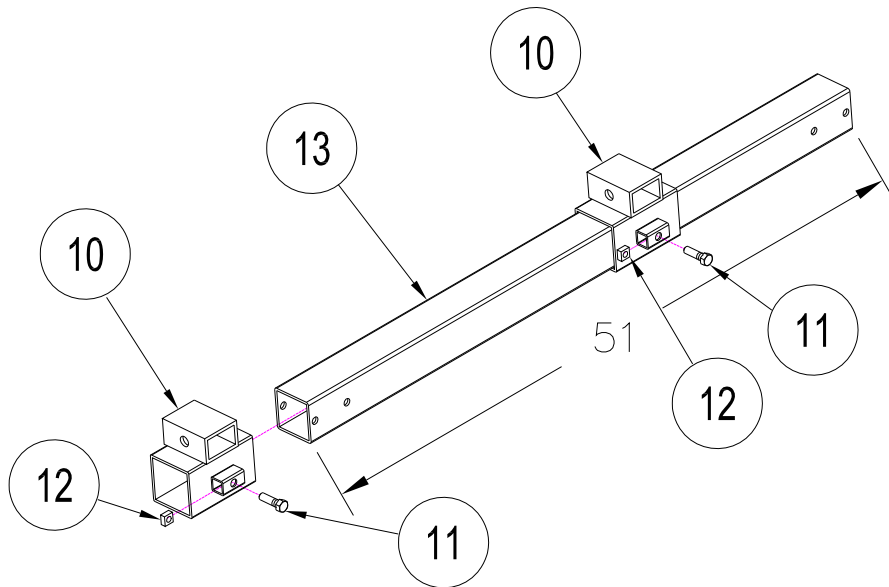


Figure 2-6.
Adj Width Lift Arm Tritoon Center Support Tube & Bracket Assy.

2.9 HL ADJUSTABLE WIDTH LIFT ARM CENTER SUPPORT TUBE ASSEMBLY

1. Refer to Figure 2-7A. This section provides instruction to assemble center tube support assembly on the HL lift for Tritoon Boat with three equal diameter Toons.

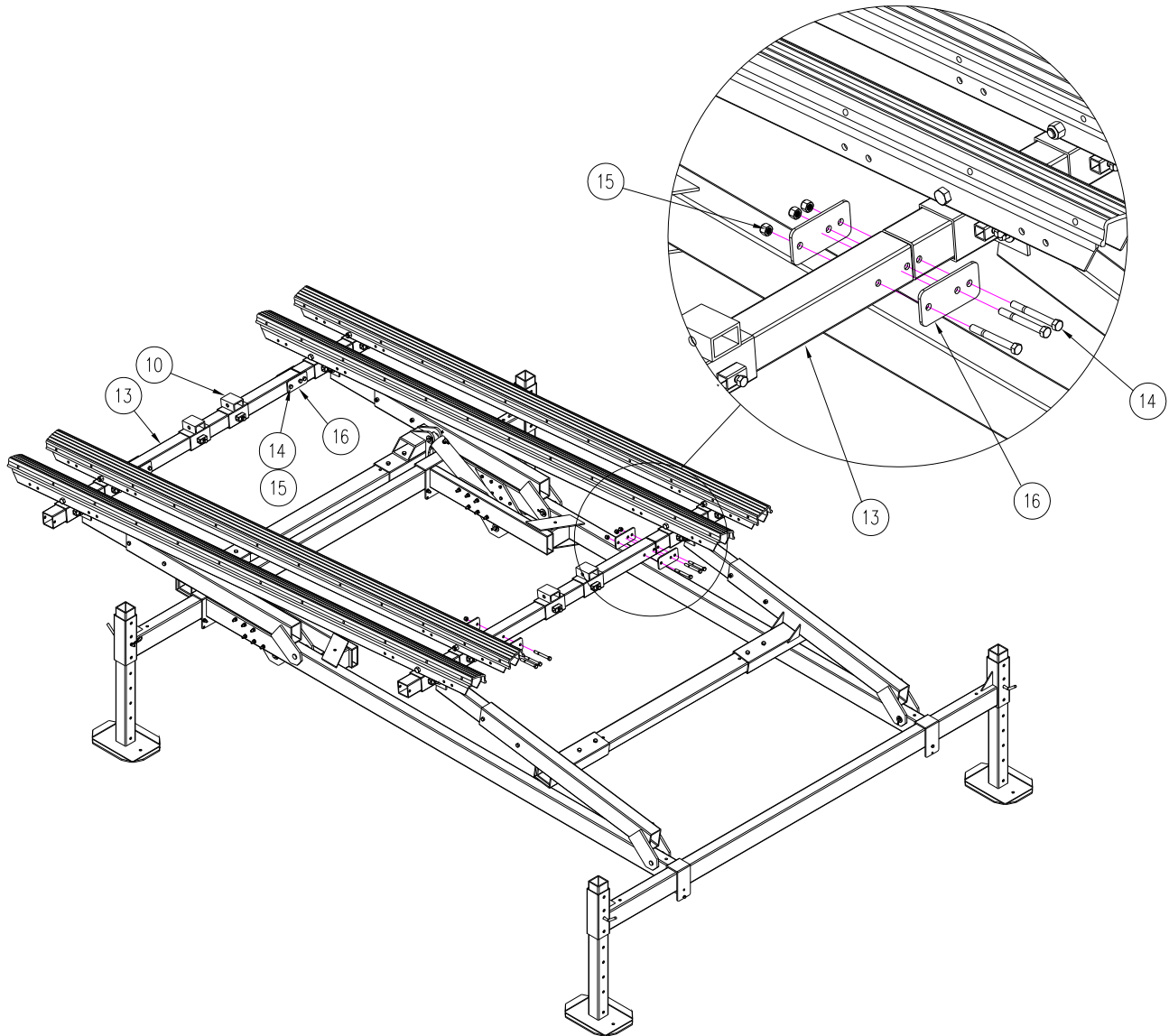


Figure 2-7A.

HL Adj Width Lift Arm Center Support Tube Assy with Equal size Tritoons.

2. Refer to Figure 2-7B. This section provides instruction to assemble center tube support assembly on the HL lift for Tritoon Boat with larger center diameter Toon.

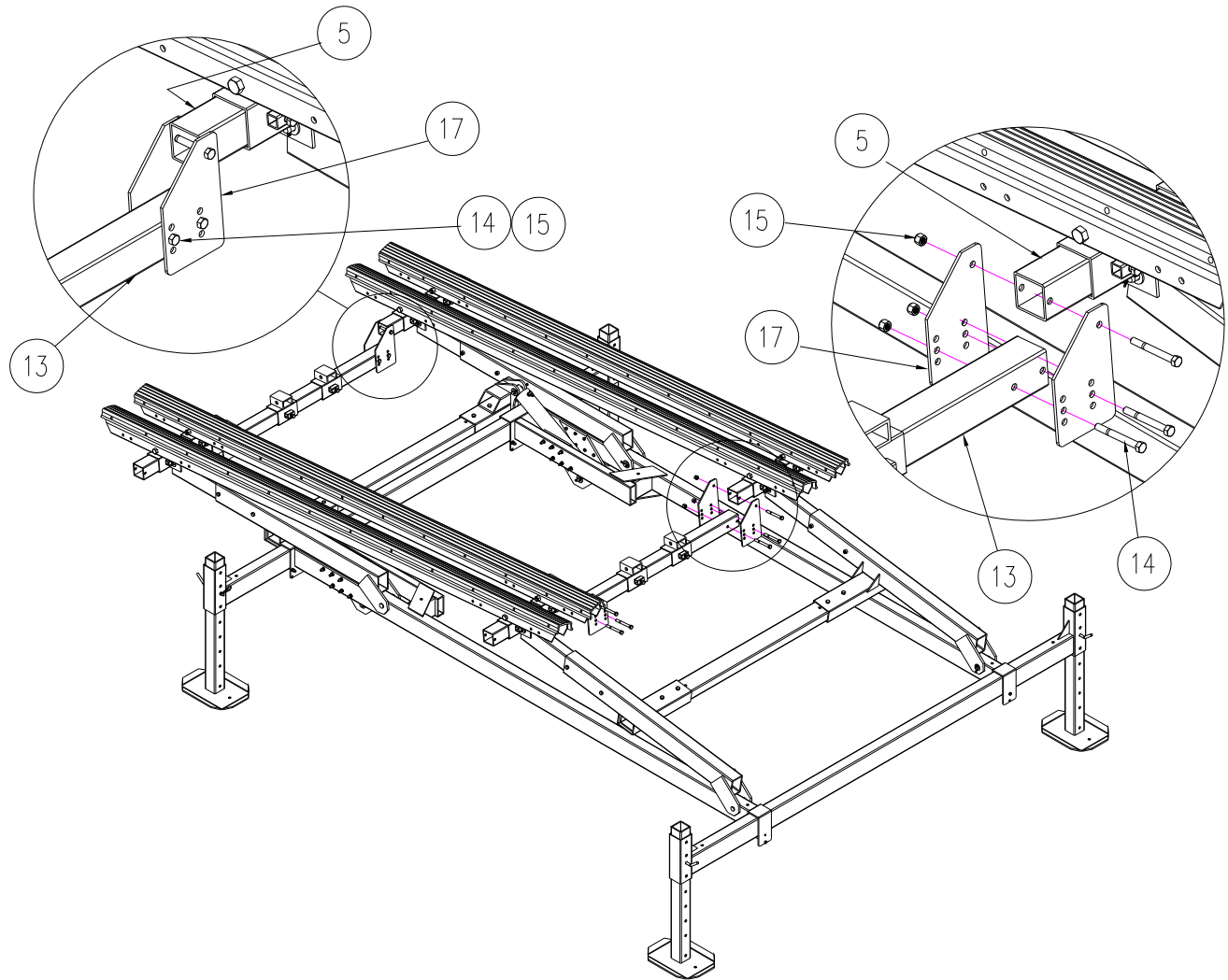


Figure 2-7B.

HL Adj Width Lift Arm Center Support Tube Assy for Larger Center Toon.

2.10 HL ADJUSTABLE WIDTH LIFT ARM CENTER BUNK ASSEMBLY

1. Refer to Figure 2-8A. This section provides instruction to assemble center tube support assembly on the HL lift for Tritoon Boat with three equal diameter Toons.
2. The HL adjustable Width Lift Arms Tritoon Kit, use two Bunks (A) to install on the Lift that were previously removed in section 2-3.
3. Install the bunks onto the center adjustable bunk mounting brackets using the four 3/4-10 x 5 bolt (6), eight 3/4 flat washer (8) & four 3/4-10 Nylock Hex nut (7).

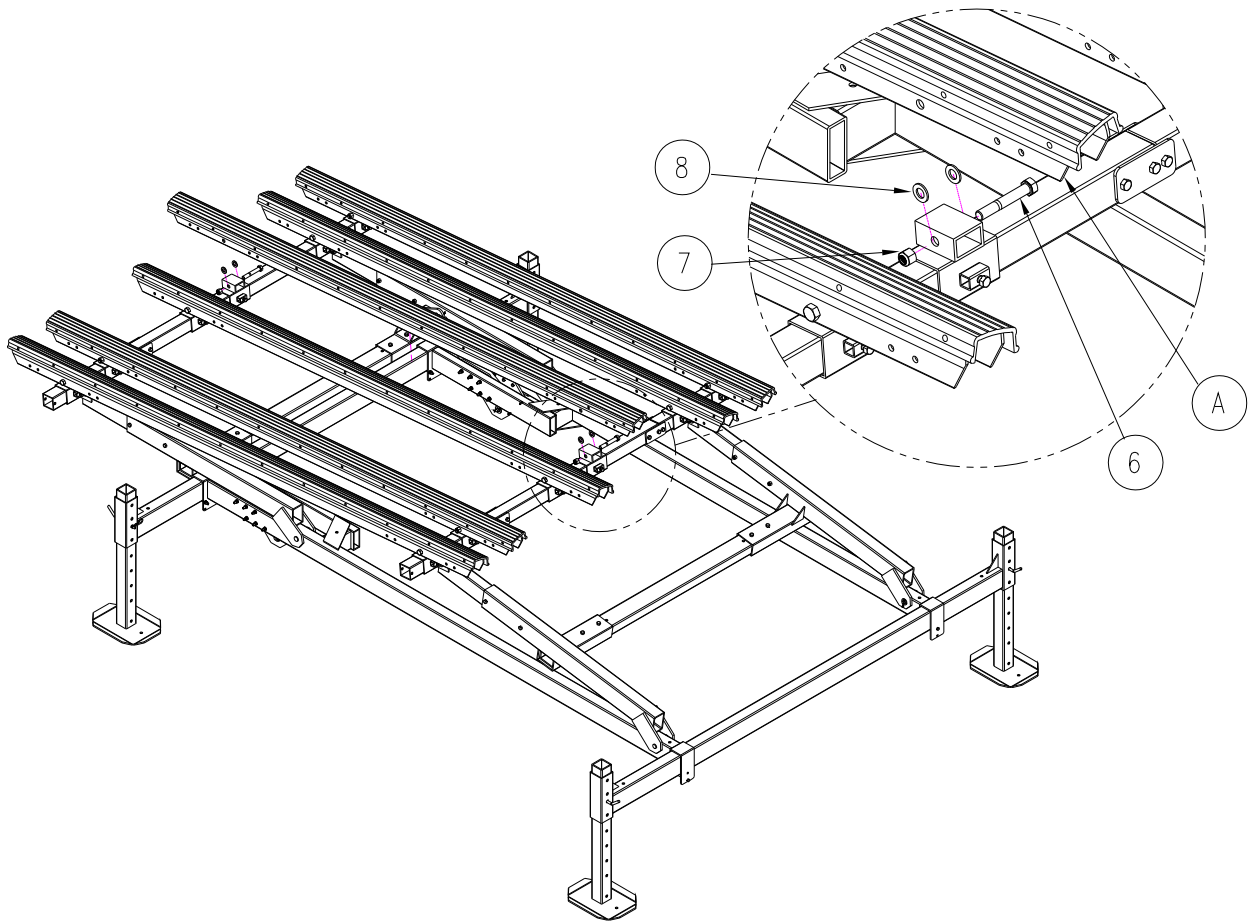
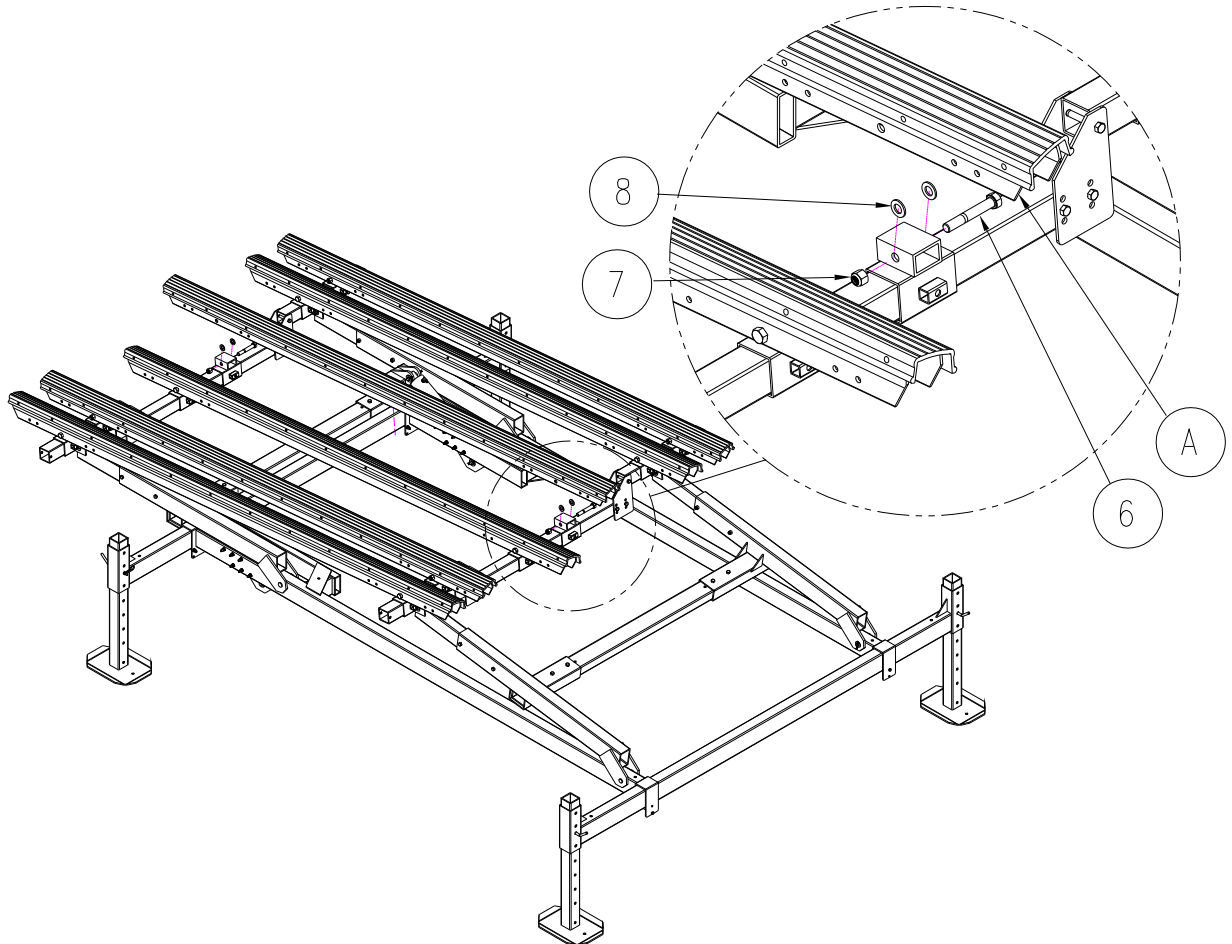


Figure 2-8A.

HL Adj Width Lift Arm Center Support Tube Assy for 3-Equal Toons

4. **Refer to Figure 2-8B.** This section provides instruction to assemble center tube support assembly on the HL lift for Tritoon Boat with larger center diameter Toons.
5. The HL adjustable Width Lift Arms Tritoon Kit, use two Bunks (A) to install on the Lift that were previously removed in section 2-3.
6. Install the bunks onto the center adjustable bunk mounting brackets using the four 3/4-10 x 5 bolt (6), eight 3/4 flat washer (8) & four 3/4-10 Nylock Hex nut (7).



3 PARTS LISTS

Each reference number or letter in the following parts lists can be matched with the reference number or letter referred to in both the text and illustrations of Chapter 2, Installation and Setup.



WARNING:

FAILURE TO APPLY A SUITABLE LUBRICANT TO THE MATING SURFACES OF STAINLESS STEEL THREADED FASTENERS MAY CAUSE GALLING AND/OR SEIZING OF ASSEMBLY.

3.1 HL ADJ. WIDTH LIFTARM EXISTING PARTS TO BE REUSED WITH PONTOON KIT

REF #	PART #	QTY	DESCRIPTION
2	5896263	4	1/2 X 4-1/2 HEX HEAD CAP SCREW
3	5896292	4	1/2 X 4 HEX HEAD CAP SCREW
4	5836107	8	1/2 NYLOCK HEX NUT ALUM
A	4197407	2	HL6-9K ALUM/VINYL BLACK BUNK ASSY 144"
B	5894109	6	HL CLEVIS PIN 3/4 X 5" HEADED
C	5894108	16	5/32 X 1-3/4 COTTER PIN
D	5896417	6	3/4 SAE FLAT WASHER
E	4107937	8	1-3/4" OD X 25/32 ID X 1/8 THICK NYLON BUNK WASHER
F	REF	1	HL LIFT ARM ASSEMBLY- REAR
G	REF	1	HL LIFT ARM ASSEMBLY- FRONT

3.2 4122026 HL6-9K ADJ WIDTH LIFTARM TRITON KIT

REF #	PART #	QTY	DESCRIPTION
-	4122142	1	HL6-9K ADJ WIDTH PONTOON BUNDLE (see Sect 3.3)
-	4122217	1	HL6-9K ADJ PONTOON Carton Of Parts (see Sect 3.4)

3.3 4122157 HL6-9K ADJ WIDTH TRITON BUNDLE

REF #	PART #	QTY	DESCRIPTION
1	4122530	2	HL6-9K ADJ PONT INNER SUPT TUBE 79"
9	4197407	4	HL6-9K ALUM/VINYL BLACK BUNK ASSEMBLY
13	4122620	2	HL6-9K AD WIDTH TRITON CENTER SUPPORT TUBE 51"

3.4 4122235 HL6-9K ADJ TRITOON HARDWARE CARTON OF PARTS

REF #	PART #	QTY	DESCRIPTION
5	4122447	4	HL6-9K ADJ PONTOON SUPPORT BRACKET
10	4122450	12	HL6-9K ADJ PONTOON BUNK SUPPORT BRACKET
16	4122614	8	HL6-9K ADJ TRITOON CENTER MTG PLATE- EQUAL TOON
17	4122617	8	HL6-9K TRITOON CENTER MTG PLATE-LARGE CENTER TOON
-	4122238	1	HL6-9K ADJ TRITOON BAG OF BOLTS consisting of:
6	5896182	12	3/4 X 5 HEX HEAD CAP SCREW
7	5897014	12	3/4 NYLOCK HEX NUT
8	5896417	24	3/4 SAE FLAT WASHER
11	5896283	12	1/2 X 1-3/4 HEX HEAD CAP SCREW
12	5840105	12	1/2 SQUARE NUT ALUM
14	5896293	12	1/2 X 4-1/2 HEX HEAD CAP SCREW
15	5897018	12	1/2 NYLOCK HEX NUT

TWO YEAR LIMITED WARRANTY

Reimann & Georger Corporation Marine Products

This product is warranted by RGC® Marine Products to the original purchaser to be free from defects in material and workmanship under normal use for a period of two years from the date of purchase.

During the warranty period, and upon proof of purchase, the product will be repaired or replaced (with the same or similar model) at our option, without charge for either parts or labor when serviced at RGC® Marine Products.

Upon completion of repair, the unit will be returned to the customer freight prepaid. The warranty will not apply to this product if it has been misused, abused, or altered.

NEITHER THIS WARRANTY OR ANY OTHER WARRANTY, EXPRESS OR IMPLIED, INCLUDING IMPLIED WARRANTIES OF MERCHANTABILITY, SHALL EXTEND BEYOND THE WARRANTY PERIOD. NO RESPONSIBILITY IS ASSUMED FOR ANY INCIDENTAL OR CONSEQUENTIAL DAMAGES. SOME STATES DO NOT ALLOW EXCLUSION OR LIMITATION OF INCIDENTAL OR CONSEQUENTIAL DAMAGES, SO THE ABOVE LIMITATIONS OR EXCLUSIONS MAY NOT APPLY TO YOU.

This warranty gives you specific legal rights, and you may also have other rights which vary from state to state.