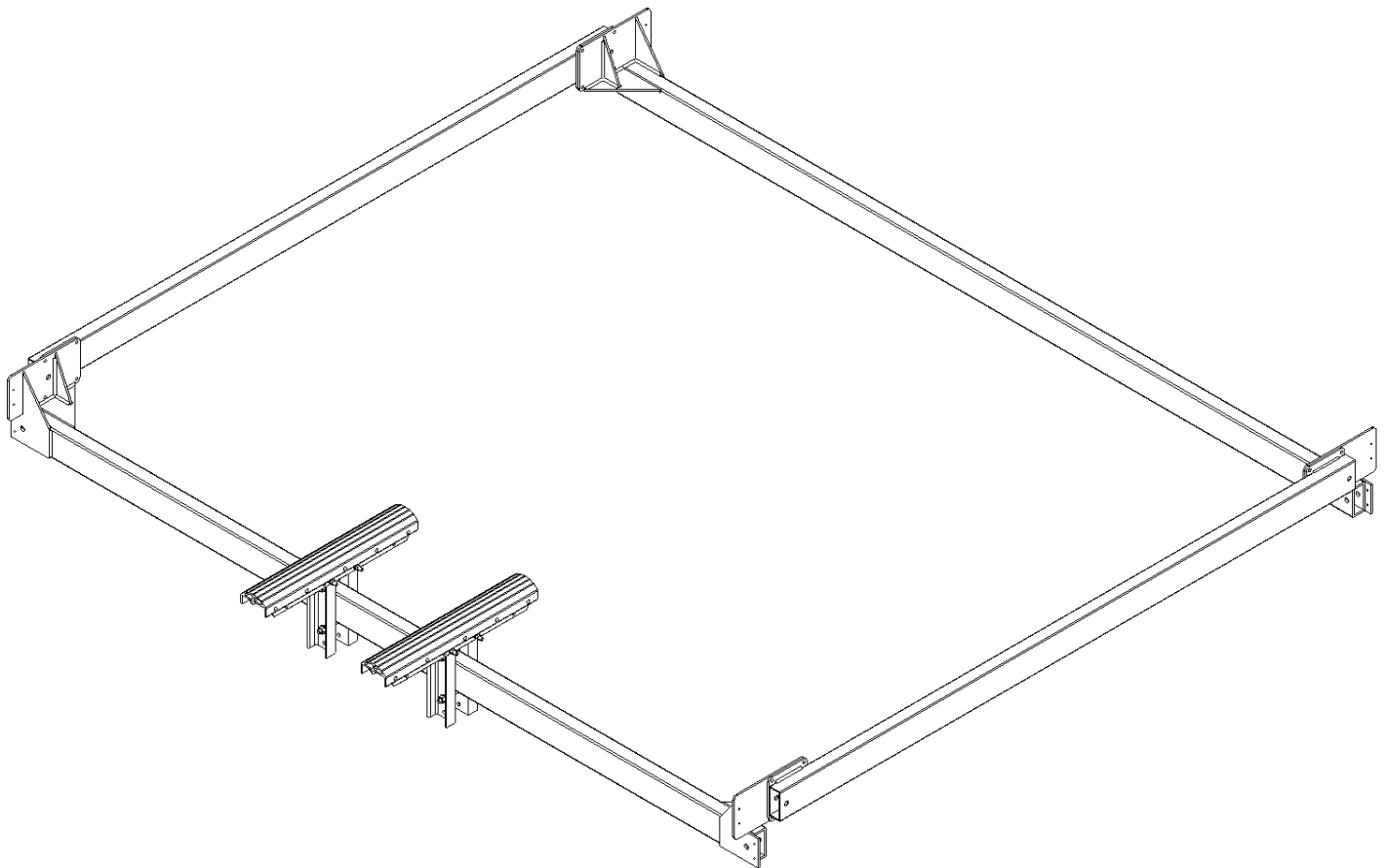




TRITON CENTER BUNK KIT FOR VL5K, HVL5-7K/VL6-8K INSTRUCTIONS

(Applies to P/N 3697090, 3697091)



Contents

1.	Installation	3
1.1.	Bunk Installation	3
2.	Parts List	4
2.1.	3697090 Tritoon Aluminum/Vinyl Bunk Kit for VL5K	4
2.2.	3697091 Tritoon Aluminum/Vinyl Bunk Kit for VL6-8K and HVL5-7K.....	4

1. Installation

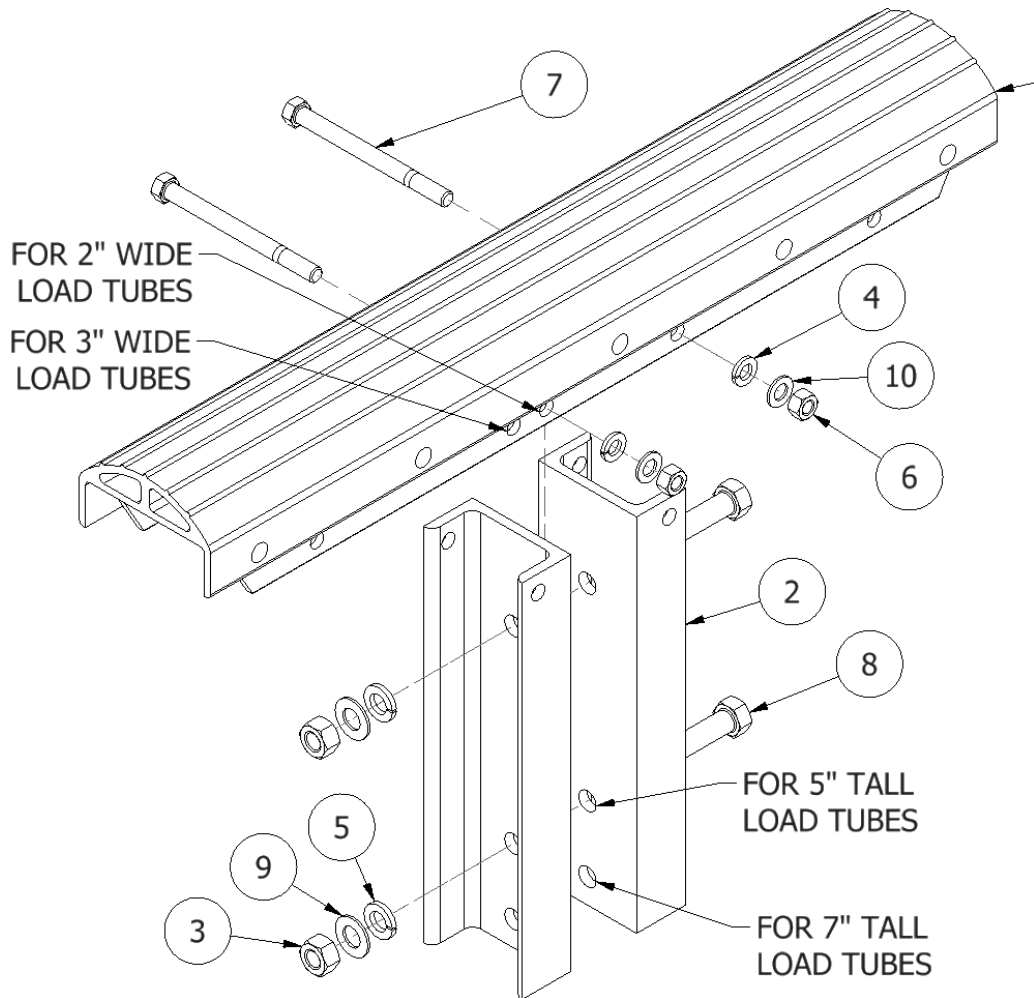
The bunks in this kit are intended to support the center log of most tritoon boats. One kit can be used at the rear of the boat, where the heaviest components are often located. If required, a second kit can be installed at the front of the boat to support the center log there. Additional bunks will be required to support the outer logs.

When RGC's aluminum/vinyl bunks with 16" pivoting bunk brackets are used on the outer logs, the outer logs can be installed 0" to 4½" higher than the center log, to accommodate larger center toons.

The installer is responsible for ensuring that the boat is securely supported, will be reliably positioned on the bunks by the end user, and that the boat can be lifted and stored on the bunks without damage.

1.1. Bunk Installation

1. Before beginning, assemble the boat lift and install the bunks for the tritoon's outer logs.
2. Assemble the center bunks, as shown below, with hardware still loose.



3. Slide bunks to the desired position on the load tube.
4. When you are satisfied with the position of the bunks, tighten all hardware.

2. Parts List

Each reference number or letter in the following parts lists can be matched with the reference number or letter referred to in both the text and illustrations.

2.1. 3697090 Tritoon Aluminum/Vinyl Center Bunk Kit for VL5K

REF #	QTY	DESCRIPTION	P/N
1	2	PONT A/V BUNK ASSY 24 BLACK	3697094
2	4	PONT A/V BUNK BRACKET FIXED CHAN	3697096
3	4	NUT HEX 1/2-13 SILICON BRONZE	5803612
4	4	WASHER SPLIT LOCK 3/8 SS	5806243
5	4	WASHER SPLIT LOCK 1/2 SS	5806244
6	4	NUT HEX 3/8-16 ALUM	5840104
7	4	HHCS 3/8-16 X 4-1/2 SS	5896262
8	4	HHCS 1/2-13 X 3-1/2 SS	5896290
9	4	WASHER FLAT SAE 1/2 SS	5896400
10	4	WASHER FLAT SAE 3/8 SS	5896406

2.2. 3697091 Tritoon Aluminum/Vinyl Center Bunk Kit for VL6-10K and HVL5-7K

REF #	QTY	DESCRIPTION	P/N
1	2	PONT A/V BUNK ASSY 24 BLACK	3697094
2	4	PONT A/V BUNK BRACKET FIXED CHAN	3697096
3	4	NUT HEX 1/2-13 SILICON BRONZE	5803612
4	4	WASHER SPLIT LOCK 3/8 SS	5806243
5	4	WASHER SPLIT LOCK 1/2 SS	5806244
6	4	NUT HEX 3/8-16 ALUM	5840104
7	4	HHCS 3/8-16 X 4-1/2 SS	5896262
8	4	HHCS 1/2-13 X 4-1/2 SS	5896293
9	4	WASHER FLAT SAE 1/2 SS	5896400
10	4	WASHER FLAT SAE 3/8 SS	5896406

TWO YEAR LIMITED WARRANTY

Reimann & Georger Corporation

Marine Products

This product is warranted by RGC® Marine Products to the original purchaser to be free from defects in material and workmanship under normal use for a period of two years from the date of purchase.

During the warranty period, and upon proof of purchase, the product will be repaired or replaced (with the same or similar model) at our option, without charge for either parts or labor when serviced at RGC® Marine Products.

Upon completion of repair, the unit will be returned to the customer freight prepaid. The warranty will not apply to this product if it has been misused, abused, or altered.

NEITHER THIS WARRANTY OR ANY OTHER WARRANTY, EXPRESS OR IMPLIED, INCLUDING IMPLIED WARRANTIES OF MERCHANTABILITY, SHALL EXTEND BEYOND THE WARRANTY PERIOD. NO RESPONSIBILITY IS ASSUMED FOR ANY INCIDENTAL OR CONSEQUENTIAL DAMAGES. SOME STATES DO NOT ALLOW EXCLUSION OR LIMITATION OF INCIDENTAL OR CONSEQUENTIAL DAMAGES, SO THE ABOVE LIMITATIONS OR EXCLUSIONS MAY NOT APPLY TO YOU.

This warranty gives you specific legal rights, and you may also have other rights which vary from state to state.