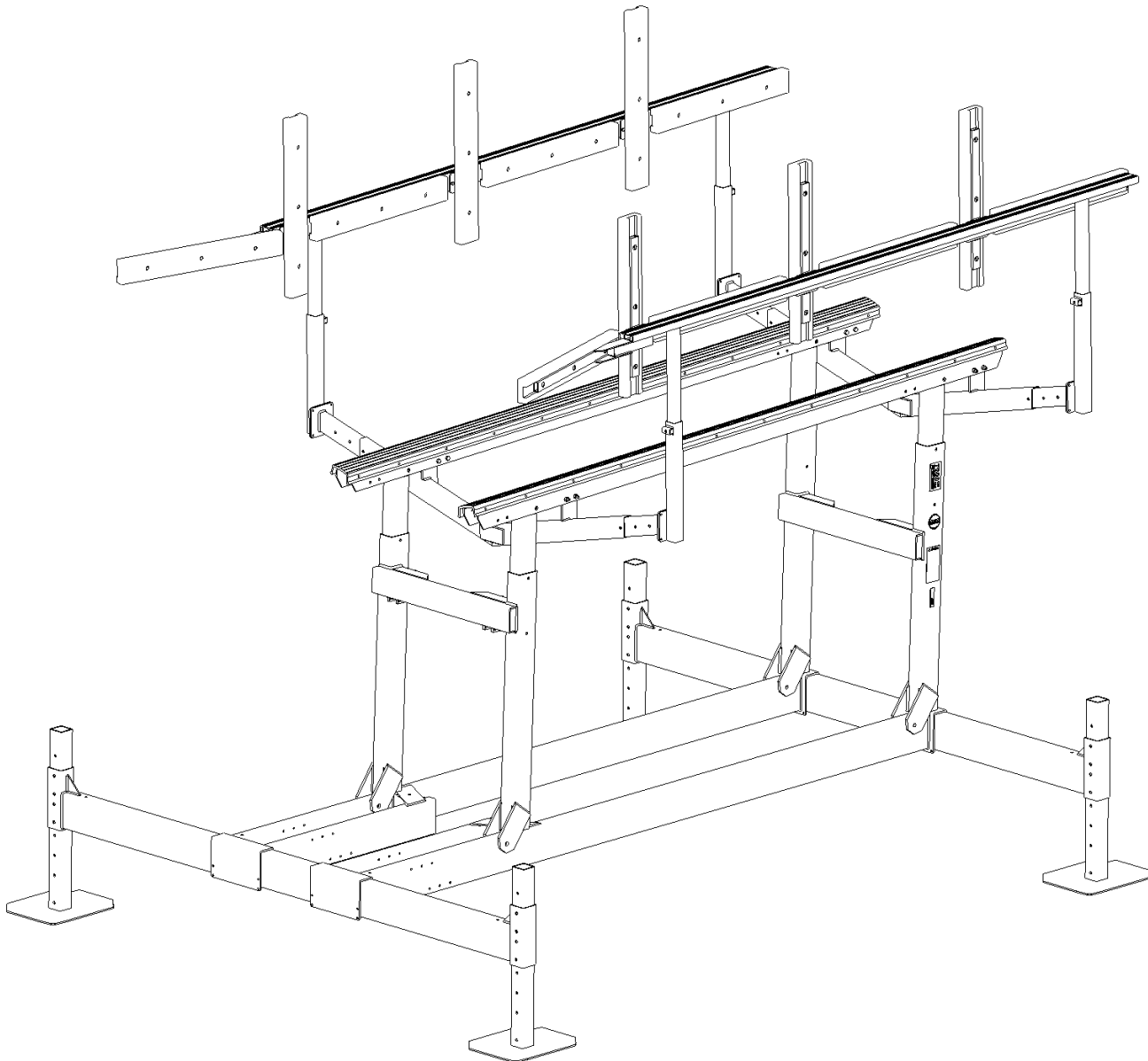




# HL WAKEBOARD GUIDE-ON INSTRUCTIONS

(Applies to P/N 4152000, 4152001, 4152002)



# Contents

Contents 2

1.	Installation .....	3
1.1.	Wakeboard Guide-On Assembly.....	3
1.2.	Support Frame .....	3
1.3.	Bunk Installation .....	4
1.4.	Wakeboard Guide-On Installation.....	5
2.	Parts List.....	6
2.1.	4152000 HL4K Wakeboard Rub Rail Guide On Black .....	6

# 1. Installation

## 1.1. Wakeboard Guide-On Assembly

1. Attach dock cushions to uprights (12) and front guide-on weldment (11) using 1-1/2" bolts (25) and nuts (23).
2. Attach dock cushions to guide on (10) with 2-1/2" bolts (26) and nuts (23).
3. Insert two spring nuts (20) into the channel of guide on (10). Bolt front guide on weldment (11) to guide on.
4. Bolt uprights (12) to guide on (10) with 1" bolts (24) and nuts (23).

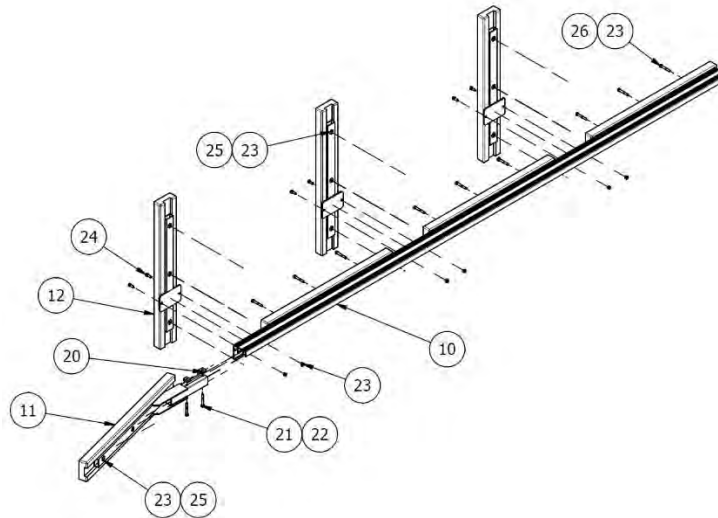
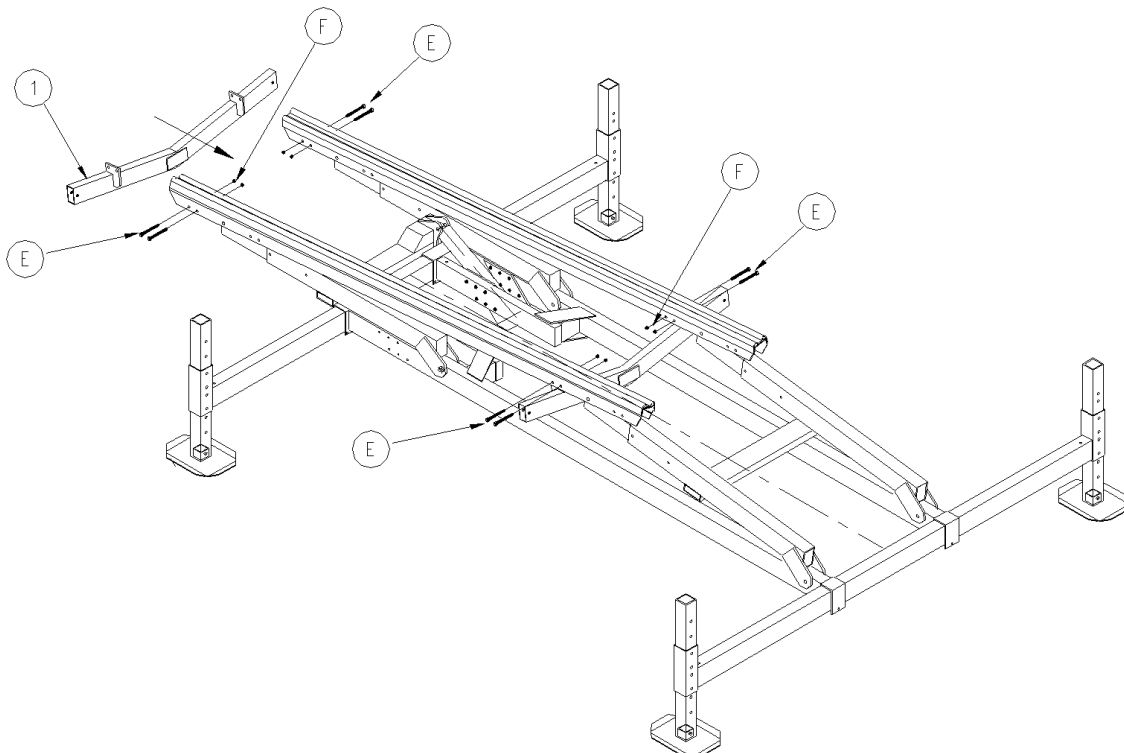


Figure 1-1 Wakeboard guide on assembly. RH shown, LH similar.

## 1.2. Support Frame

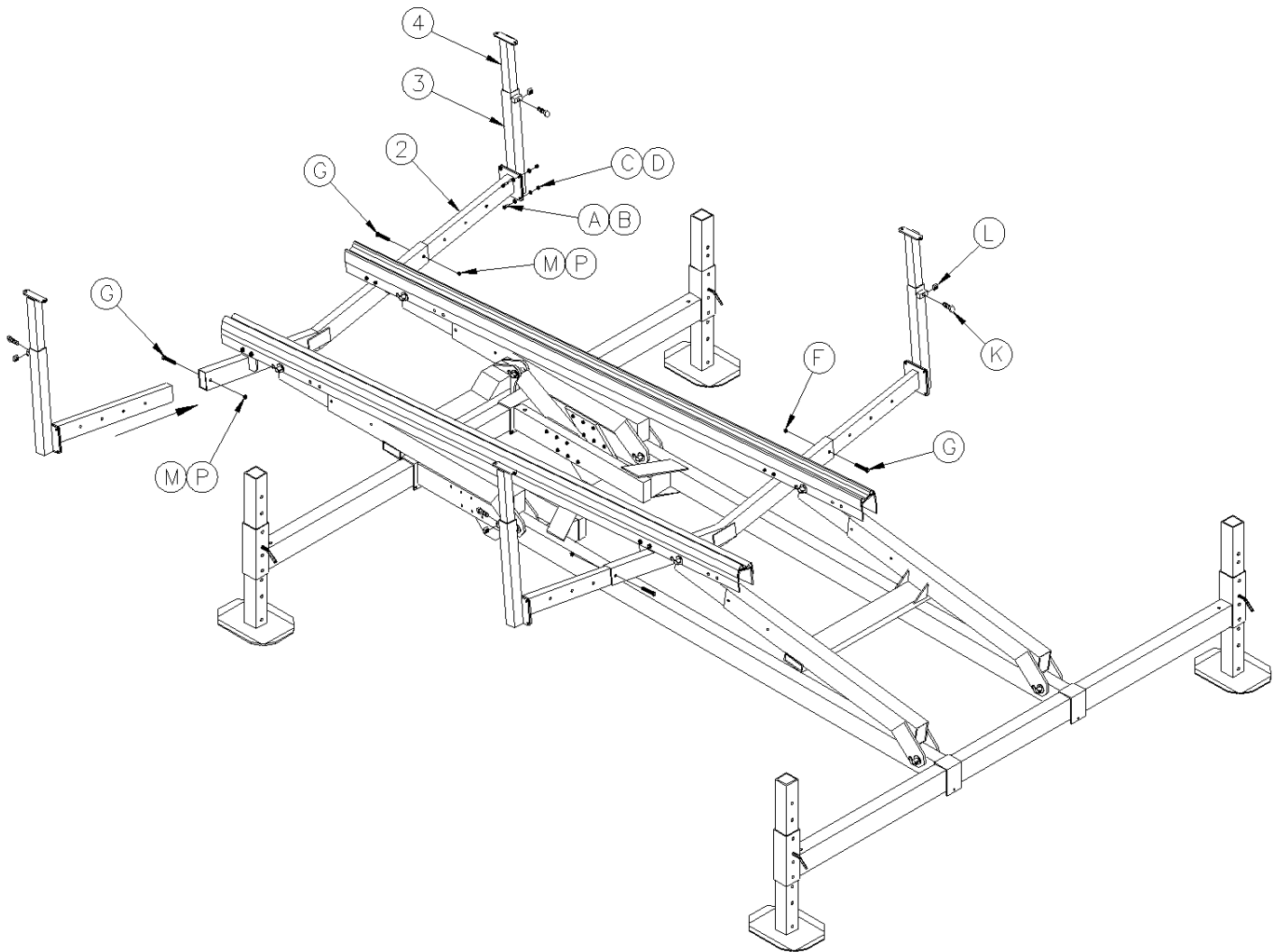
Attach both support frames (1) to the bunks with bolt (E) and nut (F).



### 1.3. Bunk Installation

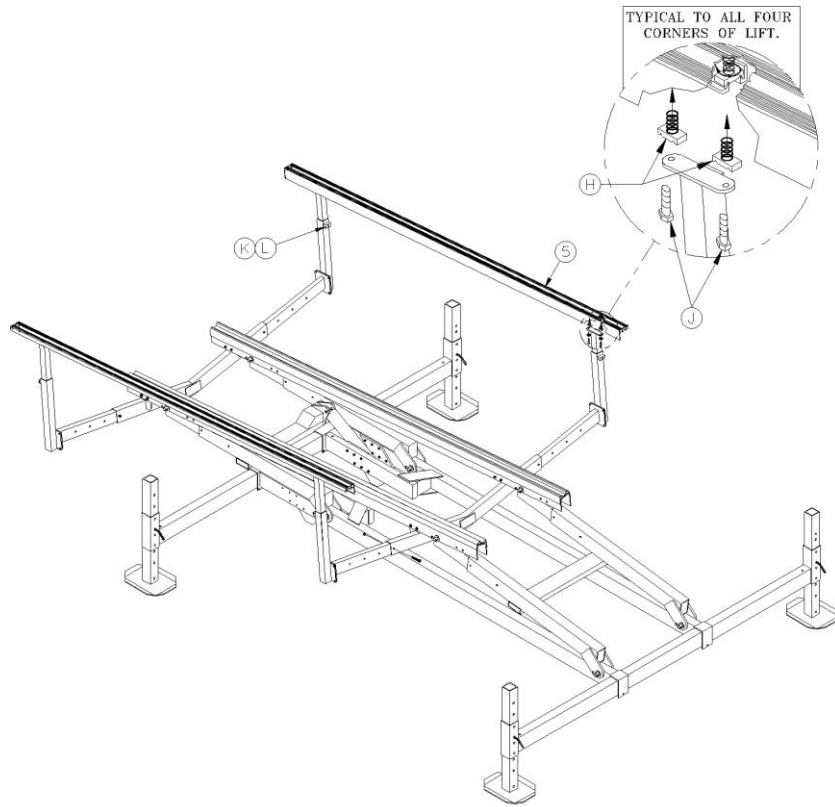
1. Bolt support base tube (3) to adjustable support arm (2) using hardware (A-D) as shown.
2. Insert upper tube assembly (4) into support base tube (3). Secure with keeper nut (L) and set screw (K).
3. Insert adjustable support arm (2) into support frames and secure with hardware (G, M, P) as shown. Consult the following table to select which hole to use.

Hole number	Approximate width between guide-ons (in)
1 (widest)	111 1/4"
2	103 3/4"
3	96"
4	88 1/4"
5	80 1/2"
6 (narrowest)	72 3/4"



## 1.4. Wakeboard Guide-On Installation

1. Insert spring nuts (H) into the channel of the wakeboard guide-ons.
2. Fasten wakeboard guide-ons to upper tube assemblies using bolt (J).
3. Adjust the wakeboard guide-ons to the desired height, and tighten set screw (K).



## 2. Parts List

Each reference number or letter in the following parts lists can be matched with the reference number or letter referred to in both the text and illustrations.

### 2.1. 4152000 HL4K Wakeboard Rub Rail Guide On Black

Ref #	P/N	Qty	Description
1	4107557	2	HL4K GUIDE ON SUPPORT FRAME WELDMENT
10	3652804	1	WAKE BOARD RUB RAIL GUIDE ON LH 138"
10	3652822	1	WAKE BOARD RUB RAIL GUIDE ON RH 138"
11	3652704	2	WAKE BOARD RUB RAIL GUIDE ON FRONT BRACKET
12	3652701	6	WAKE BOARD GUIDE ON VERTICAL MOUNTING BRACKET
-	7236625	14	WAKE BOARD RUB RAIL CUSHION BLACK
See 2.4	3652283	1	WAKE BOARD RUB RAIL GUIDE ON BAG OF BOLTS
	4100507	4	UPPER TUBE ASSY
	4107556	4	ADJUSTABLE SUPPORT ARM

# TWO YEAR LIMITED WARRANTY

## Reimann & Georger Corporation

### Marine Products

This product is warranted by RGC® Marine Products to the original purchaser to be free from defects in material and workmanship under normal use for a period of two years from the date of purchase.

During the warranty period, and upon proof of purchase, the product will be repaired or replaced (with the same or similar model) at our option, without charge for either parts or labor when serviced at RGC® Marine Products.

Upon completion of repair, the unit will be returned to the customer freight prepaid. The warranty will not apply to this product if it has been misused, abused, or altered.

NEITHER THIS WARRANTY OR ANY OTHER WARRANTY, EXPRESS OR IMPLIED, INCLUDING IMPLIED WARRANTIES OF MERCHANTABILITY, SHALL EXTEND BEYOND THE WARRANTY PERIOD. NO RESPONSIBILITY IS ASSUMED FOR ANY INCIDENTAL OR CONSEQUENTIAL DAMAGES. SOME STATES DO NOT ALLOW EXCLUSION OR LIMITATION OF INCIDENTAL OR CONSEQUENTIAL DAMAGES, SO THE ABOVE LIMITATIONS OR EXCLUSIONS MAY NOT APPLY TO YOU.

This warranty gives you specific legal rights, and you may also have other rights which vary from state to state.