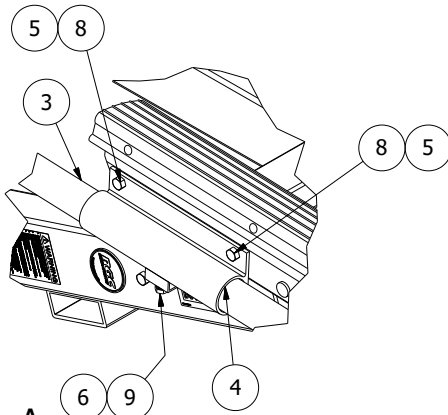
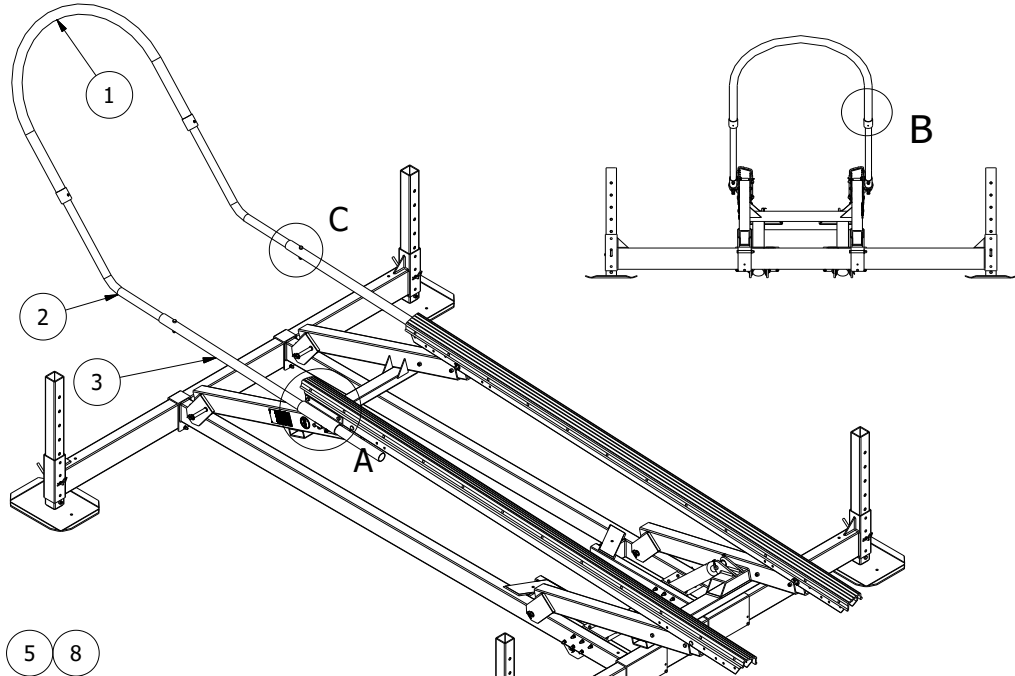


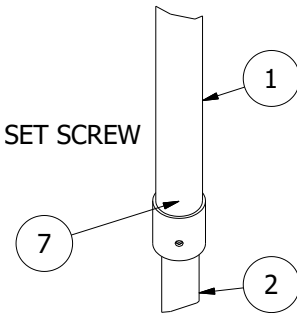
HL4K-HL9K BOW STOP KIT

INSTRUCTION SHEET

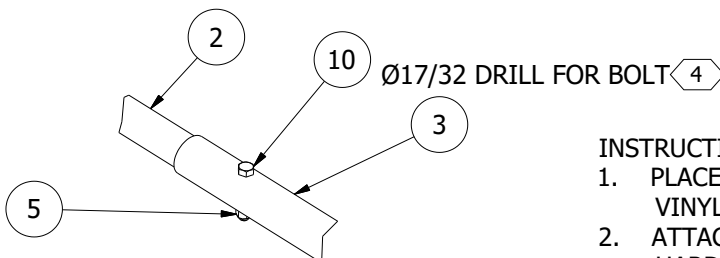


DETAIL A

5 TIGHTEN SET SCREW



DETAIL B



DETAIL C

INSTRUCTIONS:

1. PLACE BOW STOP MOUNTING BRACKET AGAINST VINYL ALUMINUM BUNK.
2. ATTACH BOW STOP MOUNTING BRACKETS WITH HARDWARE SHOWN.
3. ADJUST PVC BOW STOP TO BOAT BOW.
4. DRILL $\varnothing 17/32$ HOLES (2) PLCS IN ITEM 2
5. AFTER FINAL POSITION ESTABLISHED. ADJUST PVC BOW STOP TO DESIRED HEIGHT AND TIGHTEN SET SCREW TO SET.

HL4K-HL9K PVC BOW STOP KIT- 4107054

REF.	PART NUMBER	QTY	DESCRIPTION
1	4107486	1	HL4K-HL9K BOW STOP PVC ASSY GRAY
2	4107816	2	HL4K-HL9K BOW STOP ARM AL PIPE FORM
3	4107817	2	HL4K-HL9K BOW STOP PVC AL PIPE EXT 72"
4	4108575	2	HL4K-HL9K PVC BOW STOP MOUNTING BRACKET 12" WELDMENT
5	5836107	10	NUT HEX NYLOCK ½-13 ALUM
6	5840105	2	NUT SQ 1/2-13 X 3/4 SS
7	5894114	2	SET SCREW SOC ½-13 X 3/4 SS
8	5896284	4	HHCS 1/2-13 X 1-1/4 SS
9	5896282	2	HHCS 1/2-13 X 1-1/2 SS
10	5896288	2	HHCS 1/2-13 X 3 SS