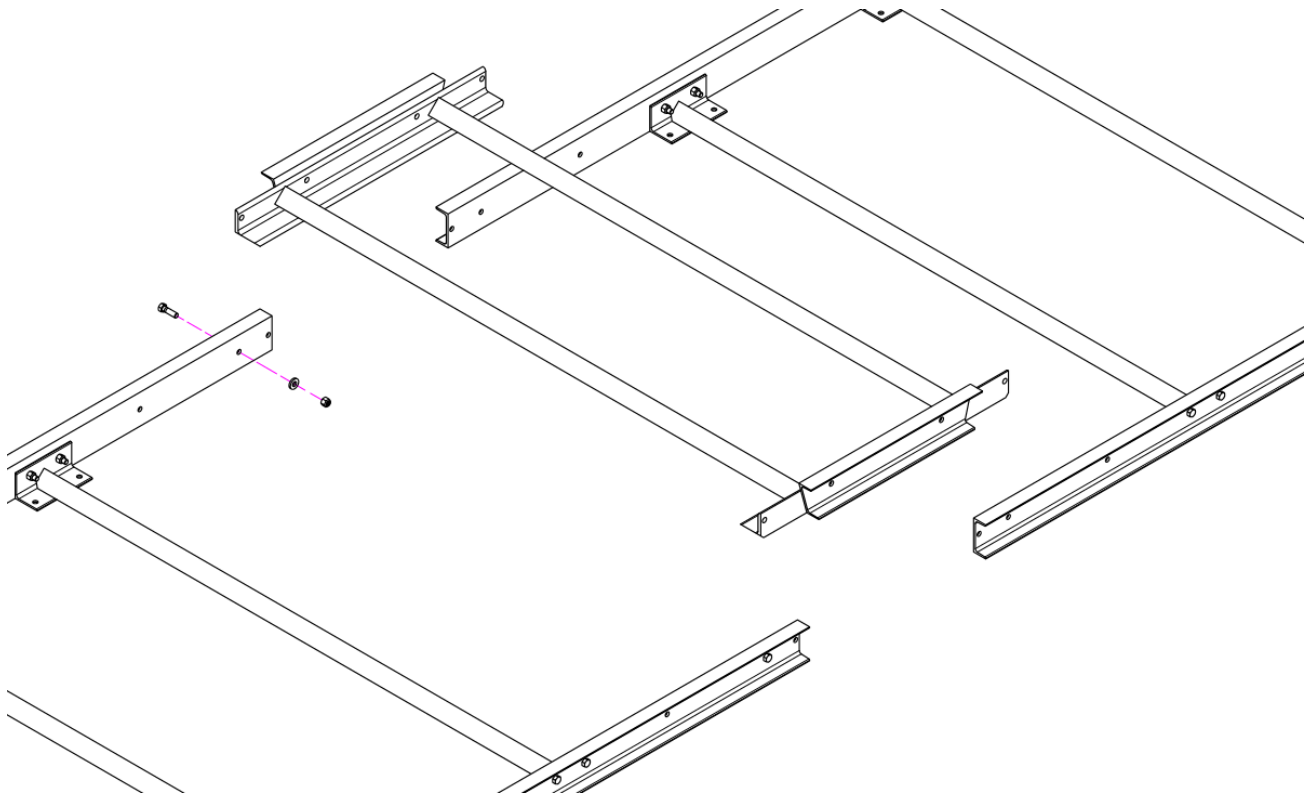




# AR4K & AR6K RAILWAY DOOR SPLICE

(Applies to P/N's 3514065, & 3562055)



REIMANN & GEORGER CORPORATION  
MARINE PRODUCTS  
P/N 6112117

BUFFALO, NY  
02/11/22



# 1. INSTALLATION

## 1.1 PRE-INSTALLATION CHECKS

1. Do not assemble the AR Railway Door Splice Kit if any part shows any sign of damage.
2. This product has been supplied with stainless steel hardware to protect against a harsh marine environment and provide outstanding performance. Due to the chemistry and surface condition of stainless steel, there is a natural tendency for the hardware to “gall, lock up, or seize” during assembly. To prevent this from occurring, it is **highly recommended** that the anti-seize supplied in the hardware bag be applied to the mating surfaces of all stainless steel fasteners before assembly. Lubricants containing molybdenum disulfide, graphite, mica or talc may also be used.



### **CAUTION:**

**DO NOT EXCEED THE MAXIMUM TORQUE RATING ON ALL BOLTS OF 20 FT-LBS.**



### **WARNING:**

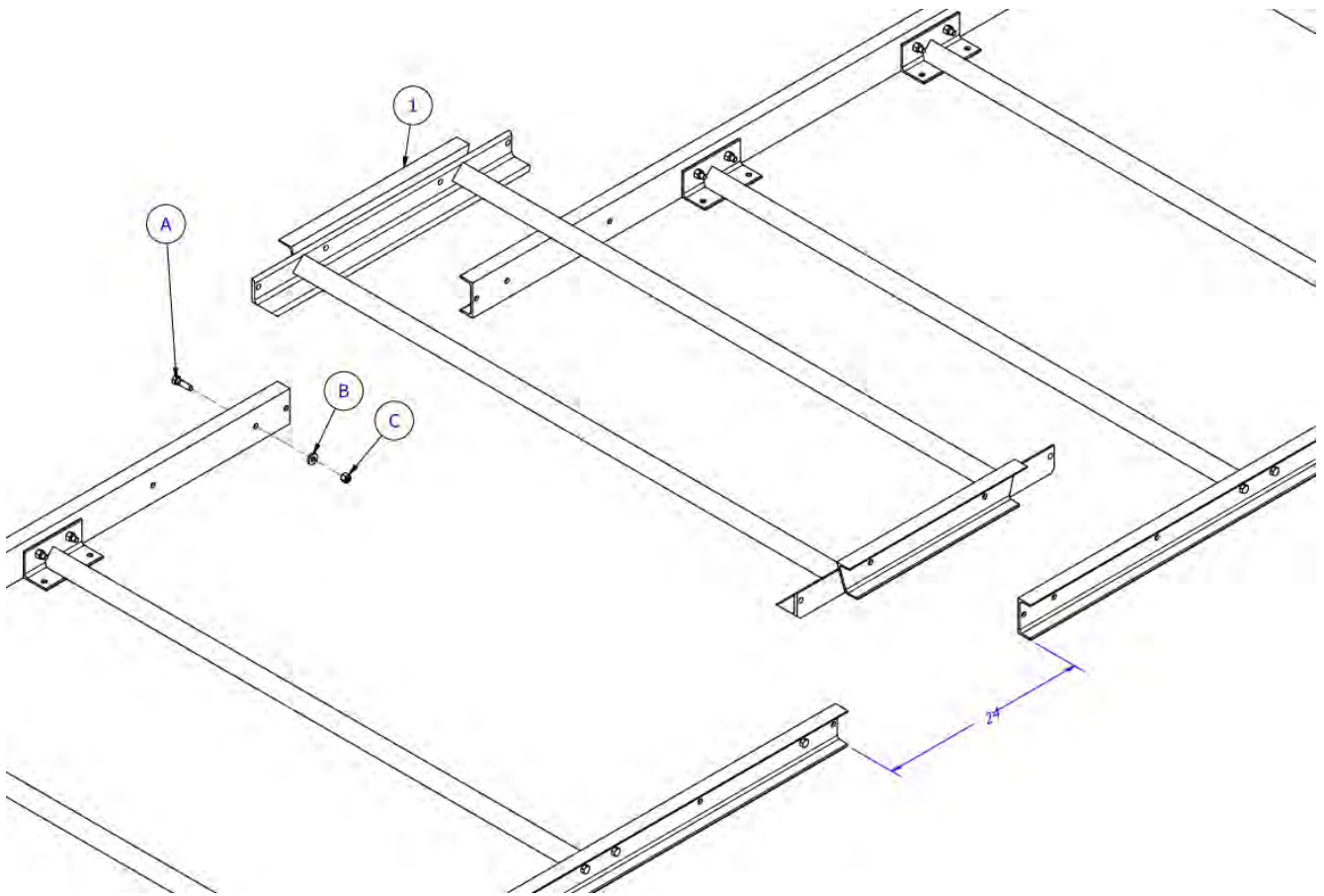
**FAILURE TO APPLY A SUITABLE LUBRICANT TO THE MATING SURFACES OF STAINLESS STEEL THREADED FASTENERS MAY CAUSE GALLING AND/OR SEIZING OF ASSEMBLY.**

3. During installation, the following precautions must be observed when lifting any part of this equipment:
  - a. Be sure of your footing.
  - b. Bend your knees and lift with your legs.
  - c. Hold the equipment section close to your body when lifting.

The reference numbers and letters used in Figure 1 are the same as those listed in the parts lists of Chapter 2.

## 1.2 INSTALLATION

1. Install AR Railway track assemblies as described in the complete AR4K / AR6K Railway manuals. Leave a 24” gap between the sections that are located on either side of the door, as shown in fig. 1. Be sure to anchor track sections to the pad so that the sections will remain aligned.
2. Install AR Door Splice Hardware and AR Door Splice Track Assembly as shown in fig. 1. See Parts List in Section 2.



**Figure 1.**  
**AR Railway Door Splice Assembly**

## 2. PARTS LISTS

Each reference number or letter in the following AR Railway Door Splice parts lists can be matched with the reference number or letter referred to in both the text and illustrations of Chapter 1, Installation and Setup.



### **WARNING:**

**FAILURE TO APPLY A SUITABLE LUBRICANT TO THE MATING SURFACES OF STAINLESS STEEL THREADED FASTENERS MAY CAUSE GALLING AND/OR SEIZING OF ASSEMBLY.**

#### 2.1 3514065 AR4K DOOR SPLICE KIT

REF #	PART #	QTY	DESCRIPTION
1	3514071	1	AR4K DOOR SPLICE TRACK ASSEMBLY
	3562178	1	AR4K/AR6K DOOR SPLICE COP

#### 2.2 3562055 AR6K DOOR SPLICE KIT

REF #	PART #	QTY	DESCRIPTION
1	3562456	1	AR6K DOOR SPLICE TRACK ASSEMBLY
	3562178	1	AR4K/AR6K DOOR SPLICE COP

#### 2.3 3562178 AR4K/6K DOOR SPLICE TRACK Carton of Parts

REF #	PART #	QTY	DESCRIPTION
A	5896283	2	HHCS 1/2-13 X 1-3/4 SS
B	5893504	2	FENDER WASHER 1/2 X 1-1/8
C	5897018	2	NUT HEX NYLOCK 1/2-13 SS/WAX