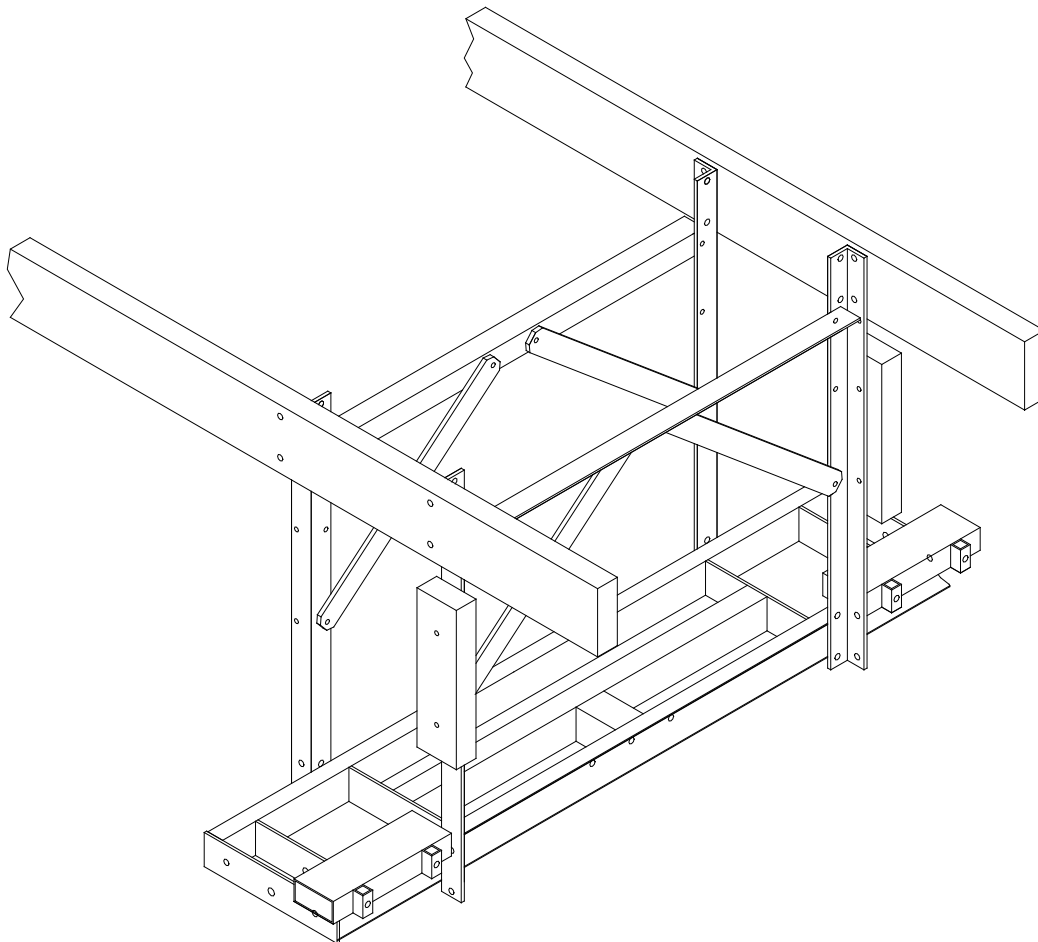




AR4K PONTOON DECK BRACKET

(Applies to P/N 3565010)



REIMANN & GEORGER CORPORATION
MARINE PRODUCTS
P/N 6112202

BUFFALO, NY
04/11/18

1. INSTALLATION

1.1 PRE-INSTALLATION CHECKS

1. Do not assemble the pontoon deck brackets if any part shows any sign of damage.
2. All boat berthing accessories such as pontoon brackets, pivoting bunks, and guide ons, must be commercially manufactured, have a rated load capacity equal to that of the railway, and be properly maintained and installed. Consult the manufacturer's instructions provided for these accessories.
3. This product has been supplied with stainless steel hardware to protect against a harsh marine environment and provide outstanding performance. Due to the chemistry and surface condition of stainless steel, there is a natural tendency for the hardware to "gall, lock up, or seize" during assembly. To prevent this from occurring, it is **highly recommended** that the anti-seize supplied in the hardware bag be applied to the mating surfaces of all stainless steel fasteners before assembly. Lubricants containing molybdenum disulfide, graphite, mica or talc may also be used.



CAUTION:

DO NOT EXCEED THE MAXIMUM TORQUE RATING ON ALL BOLTS OF 20 FT-LBS.



WARNING:

FAILURE TO APPLY A SUITABLE LUBRICANT TO THE MATING SURFACES OF STAINLESS STEEL THREADED FASTENERS MAY CAUSE GALLING AND/OR SEIZING OF ASSEMBLY.

4. During installation, the following precautions must be observed when lifting any part of this equipment:
 - a. Be sure of your footing.
 - b. Bend your knees and lift with your legs.
 - c. Hold the equipment section close to your body when lifting.

The part reference numbers and letters used in the subassembly drawings of sections 3.2 through 3.10 are the same as those listed in the parts lists of Chapter 6.

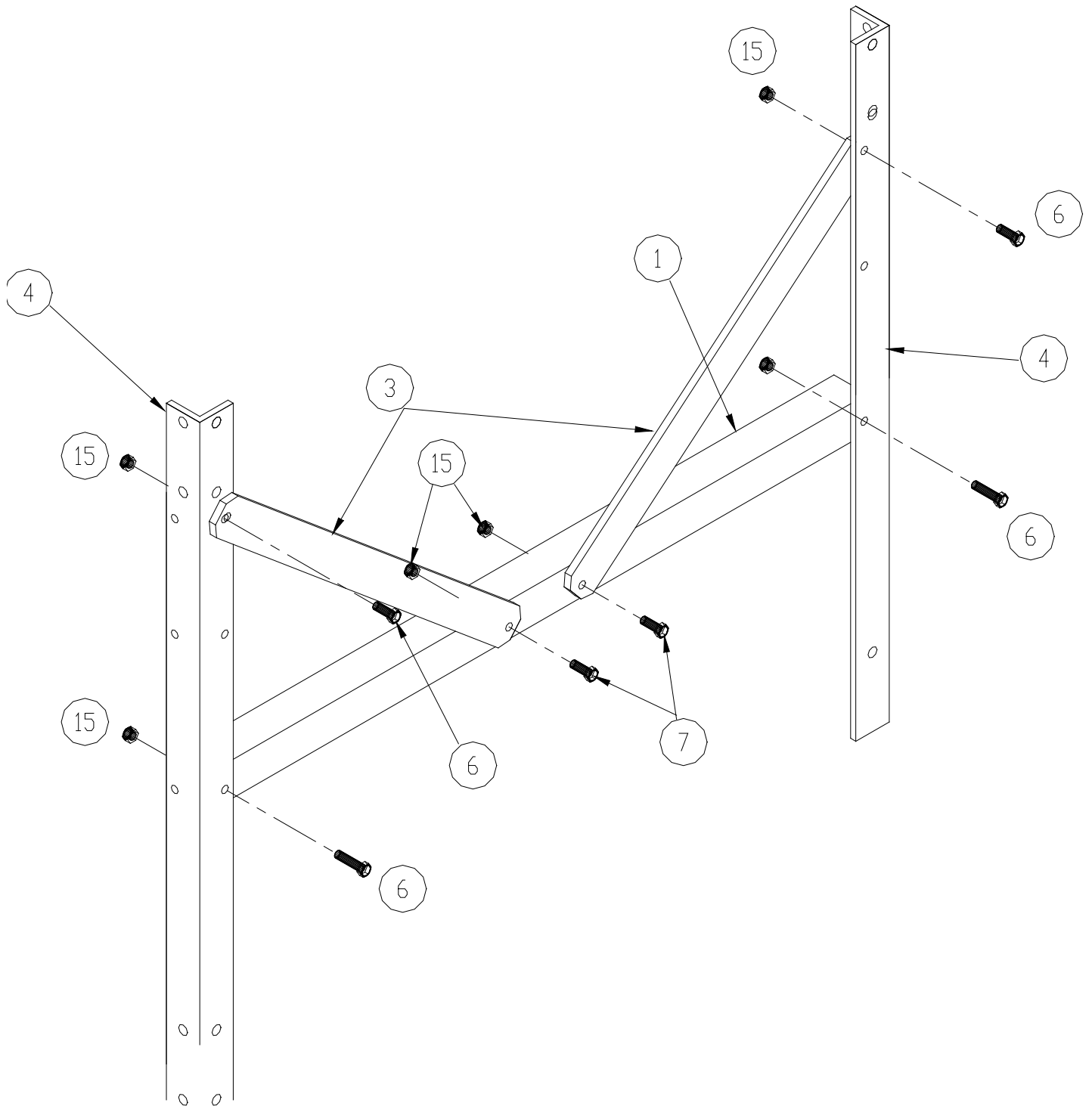


Figure 1.
Deck Bracket Assembly

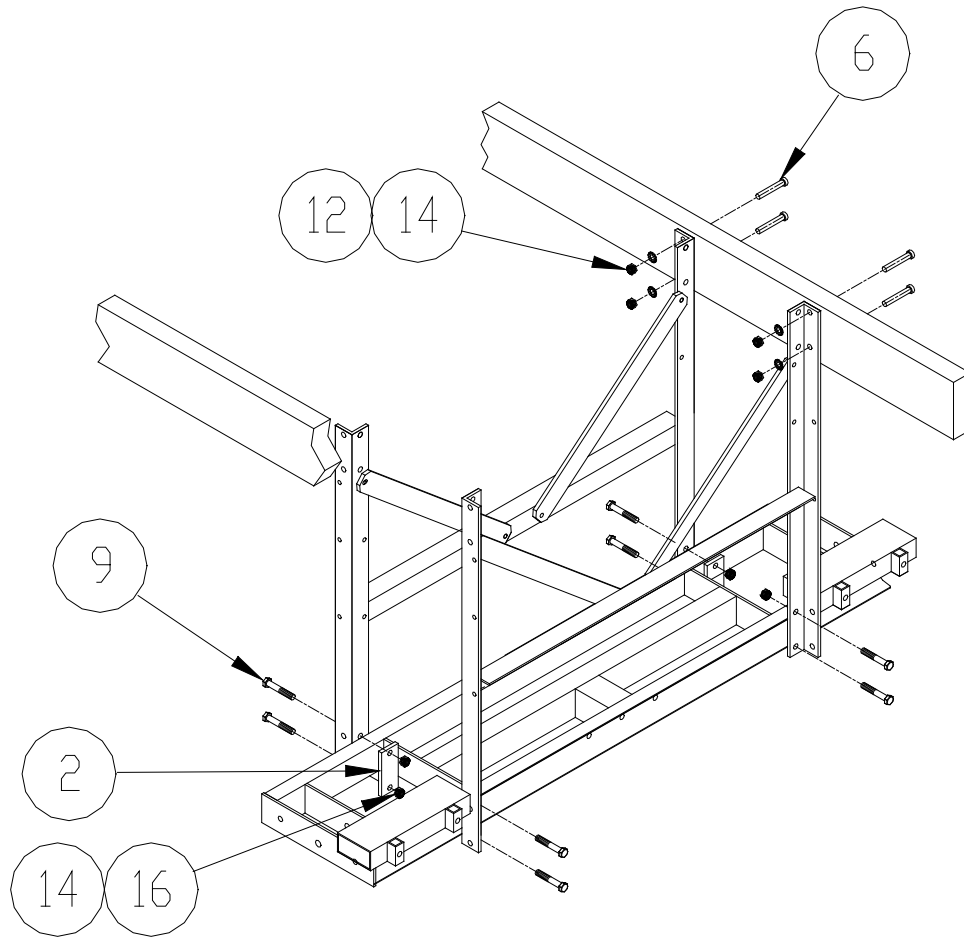


Figure 2.
Mount Deck Bracket to Carriage

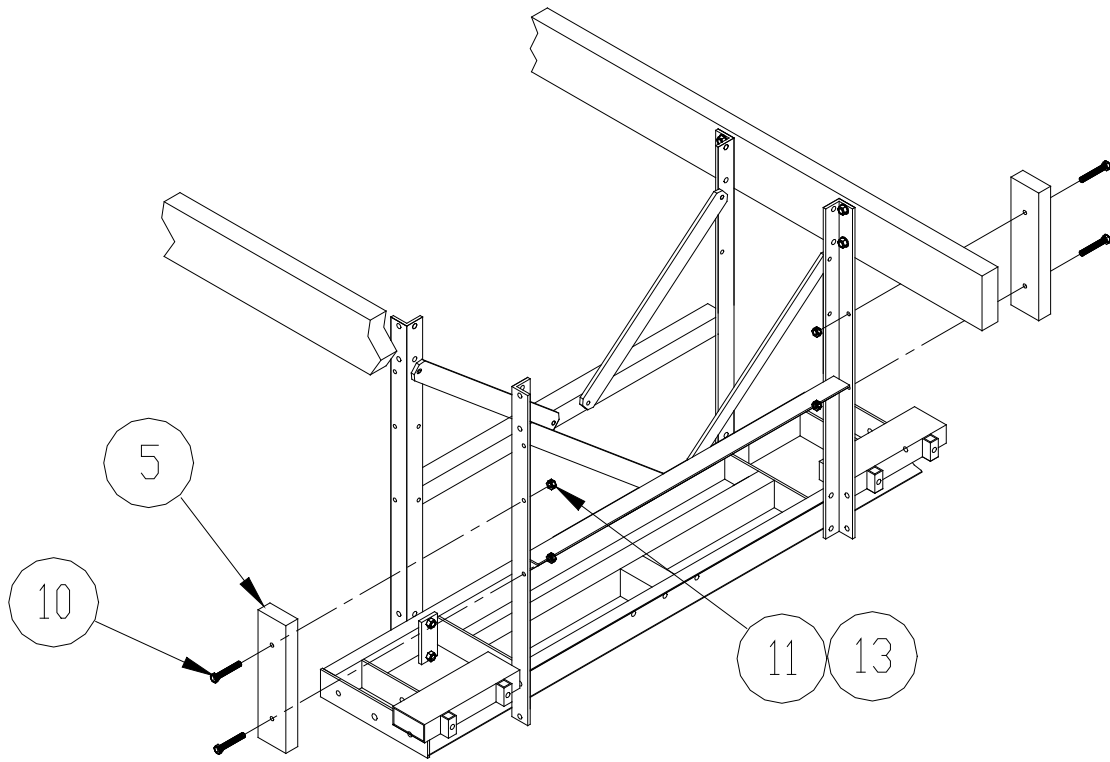


Figure 3.
Mount Lower Wood Bumper

2. PARTS LISTS

Each reference number or letter in the following AR6K Railway parts lists can be matched with the reference number or letter referred to in both the text and illustrations of Chapter 3, Installation and Setup.



WARNING:

FAILURE TO APPLY A SUITABLE LUBRICANT TO THE MATING SURFACES OF STAINLESS STEEL THREADED FASTENERS MAY CAUSE GALLING AND/OR SEIZING OF ASSEMBLY.

3565010 AR4K PONTOON DECK BRACKET

REF #	PART #	QTY	DESCRIPTION
1	3504501	8	AR4K PONTOON DECK BRACE
2	3504502	8	AR4K PONTOON DECK VERTICAL CLAMP
3	3504503	4	AR4K PONTOON DECK HORIZ BRACE
4	3504504	8	AR4K PONTOON DECK VERT ANGLE
5	3608049	4	LOWER WOOD BUMPER 14"
	3503570	1	AR4K PONTOON DECK Carton of Parts Includes the following:
6	5892501	16	1/2-13 x 3 CARR BOLT
7	5896247	16	HHCS 3/8-16 X 1 SS
8	5896249	8	HHCS 3/8-16 X 1-1/2 SS
9	5896288	16	HHCS 1/2-13 X 3 SS
10	5896323	8	3/8-16 X 2-1/2 CARR BOLT
11	5896377	8	HEX NUT 3/8-16 SS
12	5896379	16	HEX NUT 1/2-13 SS
13	5896407	8	EXT TOOTH FLAT WASHER 3/8"
14	5896412	16	EXT TOOTH FLAT WASHER 1/2"
15	5897016	24	HEX NYLOCK NUT 3/8-16 SS
16	5897018	16	HEX NYLOCK NUT 1/2-13 SS