



P/N 3562025
AR6K #2 TRACK SUPPORT INSTRUCTION SHEET
 27-1/2" TO 36-1/2" ADJUSTABLE HEIGHT

<u>P / N</u>	<u>QTY</u>	<u>REF#</u>	<u>DESCRIPTION</u>
3562175	1		AR6K TRACK SUPPORT #2 - CARTON OF PARTS consisting of:
3508106	2	(1)	AR TRACK SUPPORT BASE TUBE ASSEMBLY
3508108	2	(2)	AR TRACK SUPPORT UPPER TUBE 24" LG.
3508109	4	(3)	AR TRACK SUPT. CLAMP ANGLE
3562780	2	(4)	AR6K TRACK SUPPORT VERT LEG BRACE 27" LG.
3562182	1		AR6K TRACK SUPPORT #2 BUNDLE consisting of:
3562772	2	(5)	AR6K TRACK SUPPORT DIAG. BRACE 4-HOLE (64-3/4")
3562762	1	(6)	AR6K TRACK SUPPORT CROSS TIE 8-HOLE (67-5/8")
3562185	1		AR6K TRACK SUPPORT – COMMON BAG OF BOLTS consisting of:
5896282	7	(A)	1/2-13 x 1-1/2" HHCS
5896286	2	(B)	1/2-13 x 2-1/2" HHCS
5896287	2	(C)	1/2-13 x 2-3/4" HHCS
5896288	2	(I)	1/2-13 x 3" HHCS
5896293	2	(D)	1/2-13 x 4-1/2" HHCS
5896379	13	(E)	1/2-13 HEX NUT
3562865	4	(F)	AR6K TRACK SUPT. UPPER SPACER (1-5/8")
3508105	2	(G)	AR TRACK SUPT. LOWER SPACER (1-1/4")
3596385	4	(H)	1/2" SQUARE NUT
5896400	13	(J)	1/2" SAE FLAT WASHER
5896281	2	(K)	1/2-13 x 1-1/4" HHCS
5806244	13	(L)	1/2" SPLIT LOCK WASHER

This product has been supplied with stainless steel hardware to protect against a harsh marine environment and provide outstanding performance. Due to the chemistry and surface condition of stainless steel, there is a natural tendency for the hardware to "gall, lock up, or seize" during assembly. To prevent this from occurring, it is **highly recommended** that the anti-seize supplied in the hardware bag be applied to the mating surfaces of all stainless steel fasteners before assembly. Lubricants containing molybdenum disulfide, graphite, mica or talc may also be used.



CAUTION:
DO NOT EXCEED THE MAXIMUM TORQUE RATING ON ALL BOLTS OF 20 FT-LBS.

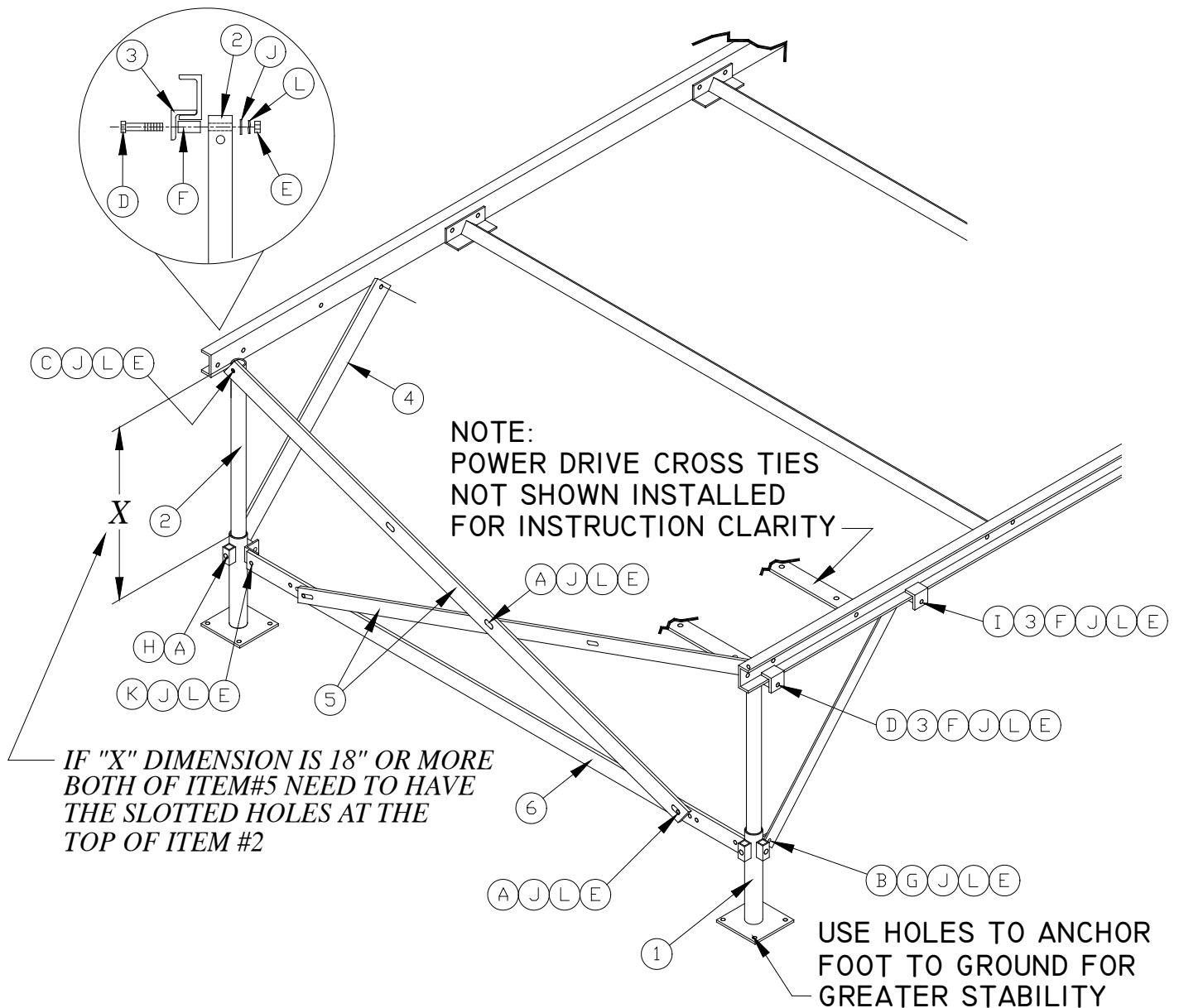


WARNING:

FAILURE TO APPLY A SUITABLE LUBRICANT TO THE MATING SURFACES OF STAINLESS STEEL THREADED FASTENERS MAY CAUSE GALLING AND/OR SEIZING OF ASSEMBLY.

1. #2 TRACK SUPPORT ASSEMBLY

- Assemble track supports as indicated below. Install at 3-1/2 FT. intervals.
- Adjust height as desired using nut & bolt set-screw adjustment on base tube #1.
- Tighten all hardware before using the railway. (**DO NOT EXCEED 20 FT-LBS TORQUE!**)
- Support track every 3-1/2 FT using RGC supports or the ground.



TRACK MUST BE SUPPORTED EVERY 3-1/2 FT.