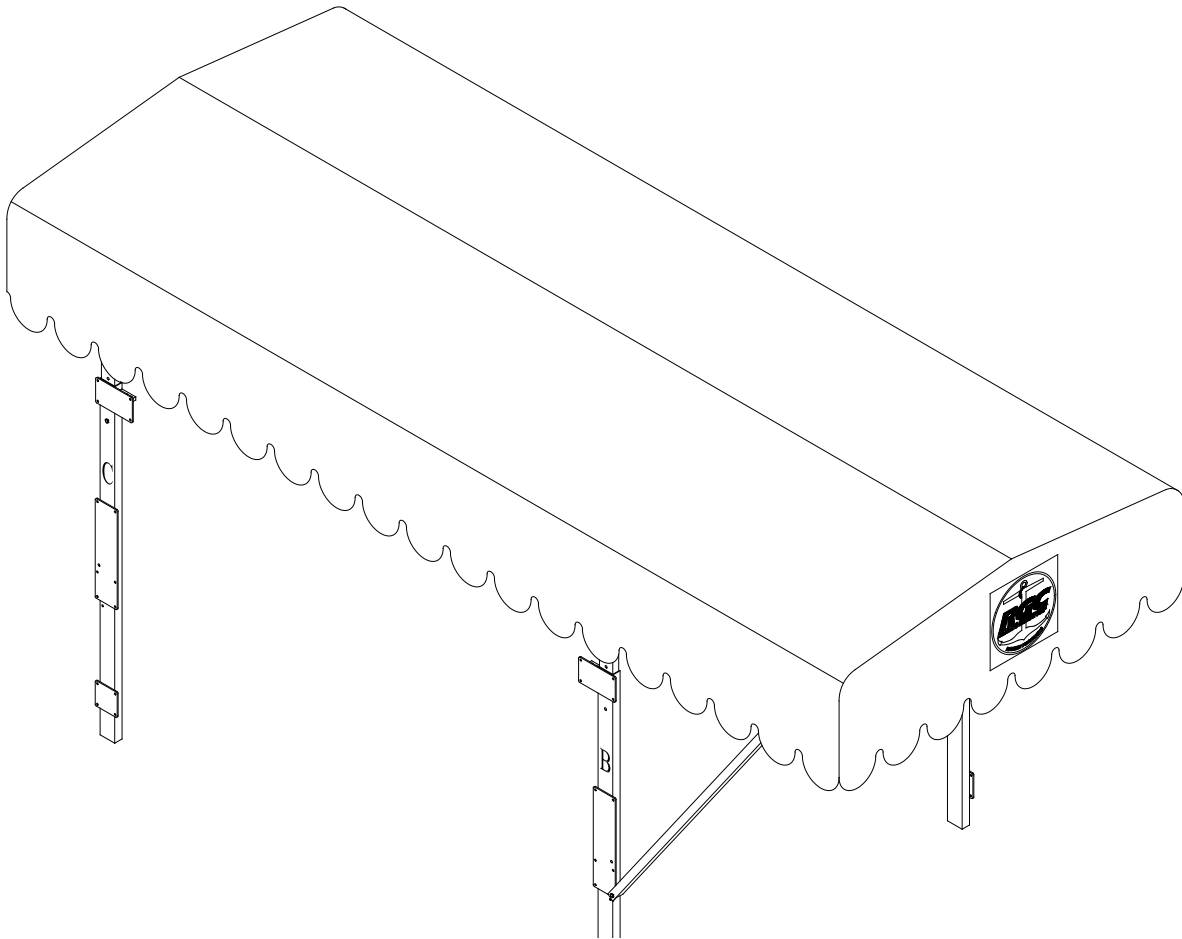




CANOPY VL10K (2010) INSTRUCTIONS

W/CORNER ANGLE & TUBE INSIDE TUBE JOINT
(Applies to P/Ns 36-----, 3609587, 3609589, 3609590, 3609595, 3609630)



REIMANN & GEORGER CORPORATION
MARINE PRODUCTS
P/N 6112018

BUFFALO, NY
04/12/18

TABLE OF CONTENTS

CHAPTER	TITLE	PAGE
1	SAFETY	1
1.1	Introduction	1
1.2	Safety Definitions	1
1.3	Canopy Safety Labels	1
1.4	Canopy Safety Rules.....	1
2	INSTALLATION AND SETUP	3
2.1	Prior to Setup.....	3
2.2	Installation Procedure	3
3	INSPECTION AND MAINTENANCE	10
3.1	General Maintenance Rules	10
3.2	Storage Procedure.....	10
4	PARTS LISTS.....	11
4.1	Canopy Bundle 30' X 132"	11
4.1.2	Canopy Bundle 30' X 148"	11
4.1.3	Canopy Bundle 32' X 132"	11
4.1.4	Canopy Bundle 32' X 148"	12
4.1.5	Canopy Bundle 36' X 132"	12
4.1.6	Canopy Bundle 40' X 132"	13
4.1.7	Canopy Bundle 36' X 148"	13
4.2.1	Canopy Carton of Parts and Bag of Bolts 30' -32'	13
4.4.1	Canopy Carton of Parts and Bag of Bolts 36' -40'	14

LIMITED WARRANTY

LIST OF FIGURES

FIGURE	DESCRIPTION	PAGE
2-1	Canopy Leg Assembly	3
2-2	Side Stringer Assembly.....	4
2-3	Mounting the Stringers	4
2-4	Mounting the Canopy Braces.....	5
2-5	Mounting the End Caps, Plastic Caps, and Canopy Ribs.....	6
2-6	Mounting the Center Bands	6
2-7	Velcro Strip Installation.....	7
2-8	Mounting the Canopy Fabric	8
2-9	Mounting the Bungee Hooks	8
2-10	Complete Canopy Framework	9

1 SAFETY

1.1 INTRODUCTION

Your Reimann & Georger Corporation Marine Products Canopy has been engineered to provide long term boat protection and safety advantages that no other type can match. However, even a well-designed and well-built canopy kit can malfunction or become hazardous in the hands of an inexperienced and/or untrained user. Therefore, read this manual and related equipment manuals thoroughly before installing your canopy to provide maximum safety for all personnel, and to get the maximum benefit from your equipment.



WARNING:

DO NOT INSTALL THIS CANOPY WITHOUT STUDYING THIS ENTIRE MANUAL AND THE MANUAL FOR THE LIFT ONTO WHICH IT IS BEING MOUNTED. FAILURE TO DO THIS CAN LEAD TO EQUIPMENT MISUSE WITH RESULTING DAMAGE AND/OR SERIOUS PERSONAL INJURY. CONTACT YOUR RGC® MARINE DEALER IF YOU HAVE ANY QUESTIONS.

1.2 SAFETY DEFINITIONS

A safety message alerts you to potential hazards that could hurt you or others or cause property damage. The safety messages or signal words for product safety signs are **DANGER**, **WARNING**, and **CAUTION**. Each safety message is preceded by a safety alert symbol and is defined as follows:

DANGER: Indicates an imminently hazardous situation which, if not avoided, **will** cause death or serious injury. This safety message is limited to the most extreme situations.

WARNING: Indicates a potentially hazardous situation which, if not avoided, **could** result in death or serious injury.

CAUTION: Indicates a potentially hazardous situation which, if not avoided, **may** result in minor or moderate injury. It may also be used to alert against unsafe practices and property-damage-only accidents.

1.3 CANOPY SAFETY LABELS

These labels warn you of potential hazards that could cause injury. Read them carefully. If a label comes off or becomes illegible, contact a Reimann & Georger Corporation dealer for a replacement.

1.4 CANOPY SAFETY RULES

1. Do not install the canopy if it shows any signs of damage.
2. Do not weld or otherwise modify any part of the canopy kit. Such alterations may weaken the structural integrity of the canopy installation and void the warranty.
3. Immediately replace any parts found to be defective.
4. Do not use any part of the canopy kit for anything other than its designed purpose.
5. Do not try to install the canopy under the influence of drugs, alcohol, or medication.
6. Ensure that the lift frame is level and square before installing the canopy.
7. Do not install the canopy in rough water conditions.
8. Keep people and pets clear during installation of the canopy.

9. The following precautions must be observed when lifting any part of this equipment:
 - a. Be sure of your footing.
 - b. Bend your knees and lift with your legs.
 - c. Hold the equipment section close to your body when lifting.
10. Do not stand or climb on any part of the lift when installing the canopy.
11. If your lift is equipped with a handwheel, never reach through the spokes of the handwheel to perform any installation or maintenance on the canopy. If the handwheel starts to spin freely, do not try to stop it. This can cause serious injury.
12. Do not try operating the lift while installing or adjusting the canopy.
13. When installing the canopy, ensure that all nuts and bolts are tightened securely.
14. Anchor a canopy-equipped lift to the lake bottom to prevent high winds from toppling it. This protection is especially important when the boat does not weigh down the lift.

2 INSTALLATION AND SETUP

2.1 PRIOR TO SETUP

1. Examine your canopy upon receipt and check that it is complete and undamaged. Refer to the parts lists in Chapter 4. Report any shipping damage on the delivery receipt and contact the delivering carrier to file a damaged freight claim. Do not install the canopy if it shows any signs of damage.
2. Read and know the instructions and ensure that everyone understands the proper installation procedure.
3. Do not install the canopy under the influence of drugs, alcohol, or medication.
4. Do not try to install the canopy in rough water conditions or high winds.
5. Ensure that the lift frame is square and that the lift sets level.

2.2 INSTALLATION PROCEDURE

The part reference numbers used in the subassembly drawings of this section are the same as those listed in the parts lists of Chapter 4.

1. Refer to **Figure 2-1**. Insert the opposite end of canopy extension leg (8) into top of vertical leg of lift. Adjust canopy extension leg to a position that is most suitable for your boat lift installation and fasten in place. Perform this assembly for each vertical leg as shown below.

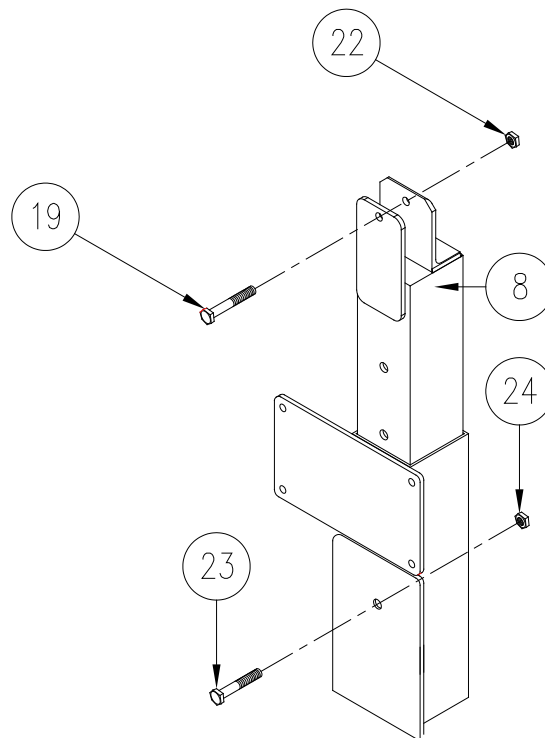


Figure 2-1.
Canopy Leg Assembly

2. Refer to **Figure 2-2**. Assemble both sides of your canopy frame on the ground using (1 ea.) left hand (3), right hand (2), and center (1), stringers for each side assembly. Canopy rib bushings are offset to the outside of stringer face. Make certain that all stringers are positioned properly. Fasten each joint together with hardware shown to inside stringer face. Each stringer assembly **MUST** be straight for proper fabric fitting.

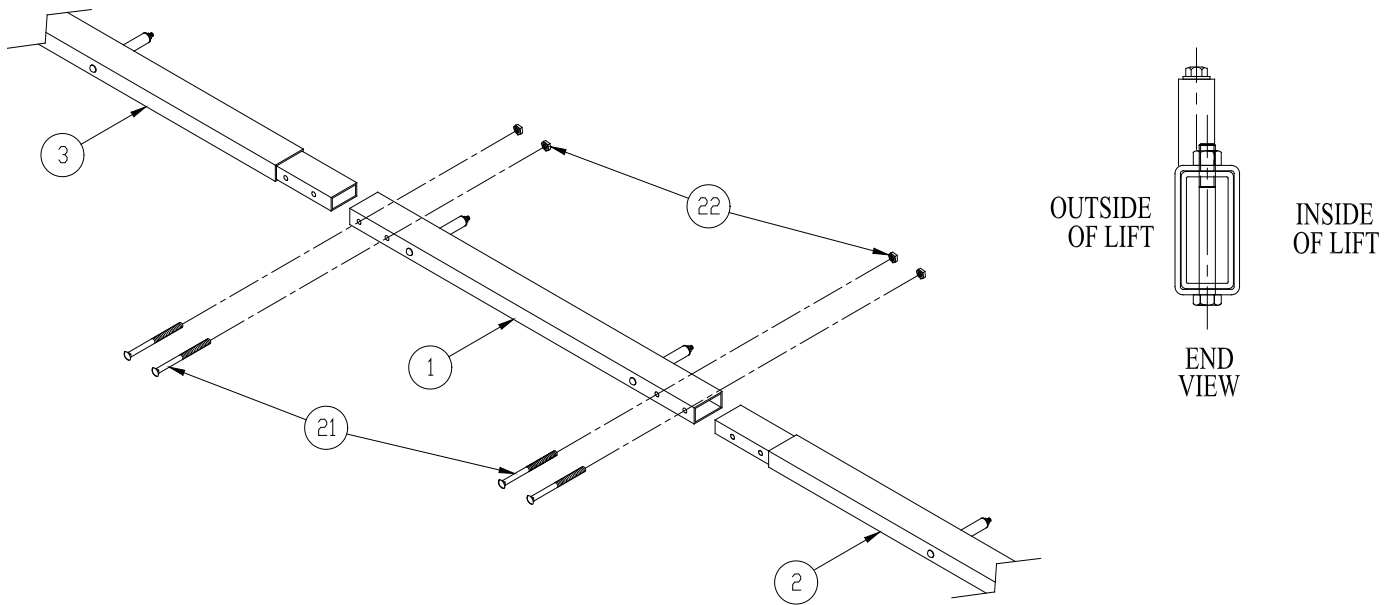


Figure 2-2.
Side Stringer Assembly

3. Refer to **Figure 2-3**. Mount the assembled stringers to top of canopy extension legs on each side of lift. Canopy rib bushings are offset to the outside of canopy frame. Stringer connecting angles will then face inside of canopy frame. Position the stringers such that the canopy protects the entire length of the boat and fasten in place with hardware shown.

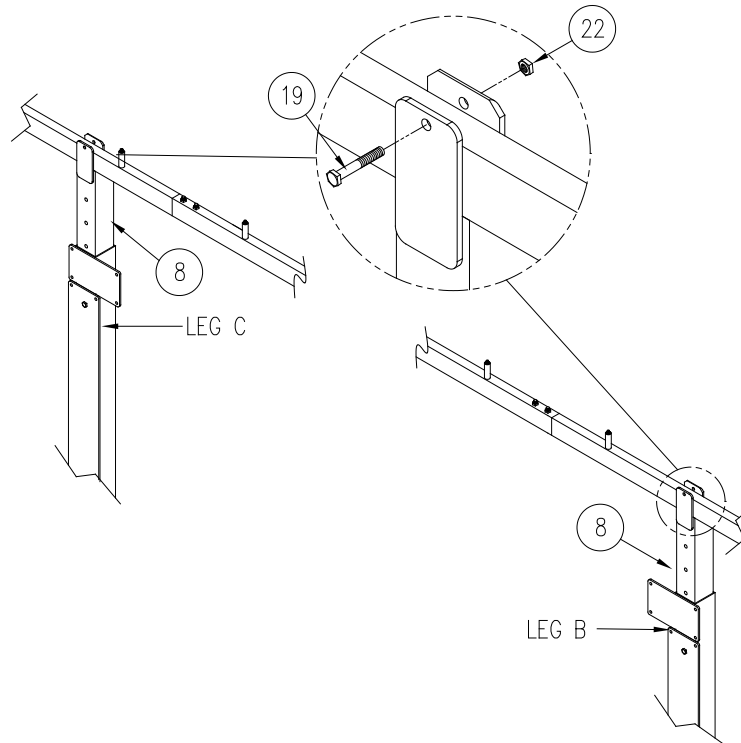


Figure 2-3.
Mounting the Stringers

4. Refer to **Figure 2-4**. Attach the canopy braces (13) at the bow end of the lift. Ensure the stringers are level and at the desired position before tightening the bolts. Note that the braces are supplied only with 21 foot and longer canopies. For 26 foot and longer canopies, an additional pair of braces is supplied. Install the longer braces on the canopy end with the greatest overhang, which is usually the bow end of lift.

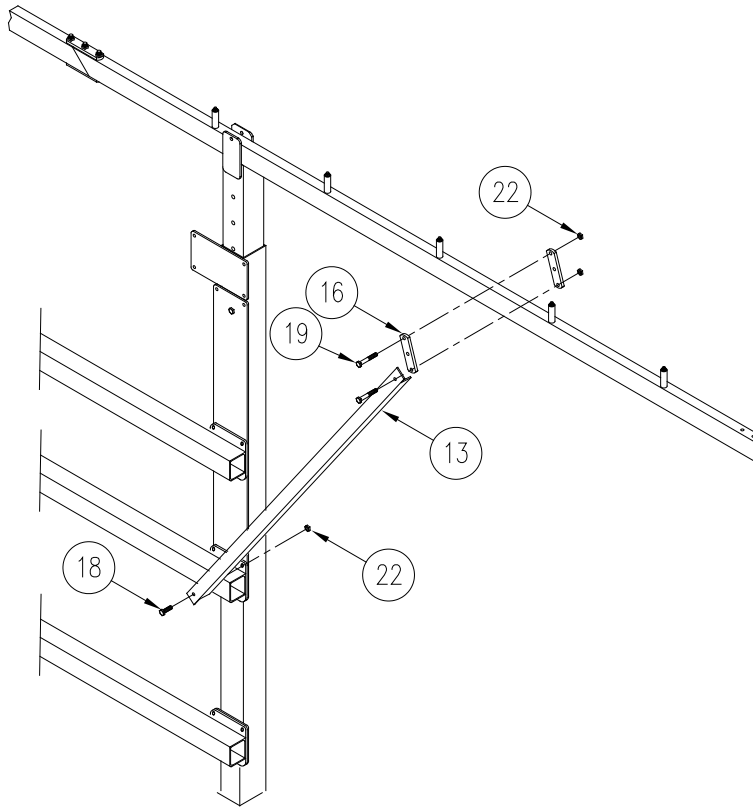


Figure 2-4.
Mounting the Canopy Braces

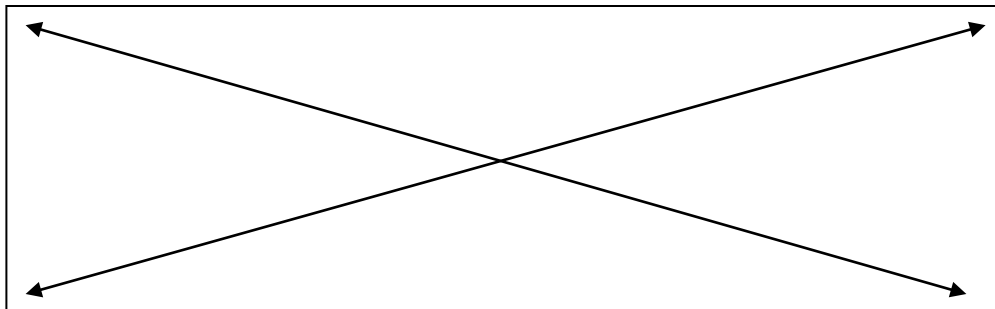


CAUTION:

CANOPY FRAME MUST BE SQUARE TO PREVENT DAMAGE AND/OR IMPROPER FITTING OF CANOPY FABRIC UPON INSTALLATION.

5. Refer to **Figure 2-5**. Attach each canopy end cap to the side stringers using hardware shown for each corner connection. Before tightening hardware, square the canopy frame by placing a carpenter or combination square into each corner and positioning canopy stringers and end caps to provide a 90 degree corner joint. Tighten hardware to lock into position.
6. Verify canopy frame is square by measuring the diagonal distance from the outside of canopy frame corner to opposite corner. Repeat for alternate corners. The **difference between the two measurements shall not exceed 1/4 of an inch**. Repeat steps 5 and 6 if necessary.

Canopy Frame Diagonal Measurement Diagram
(Measure to Outside Corners)



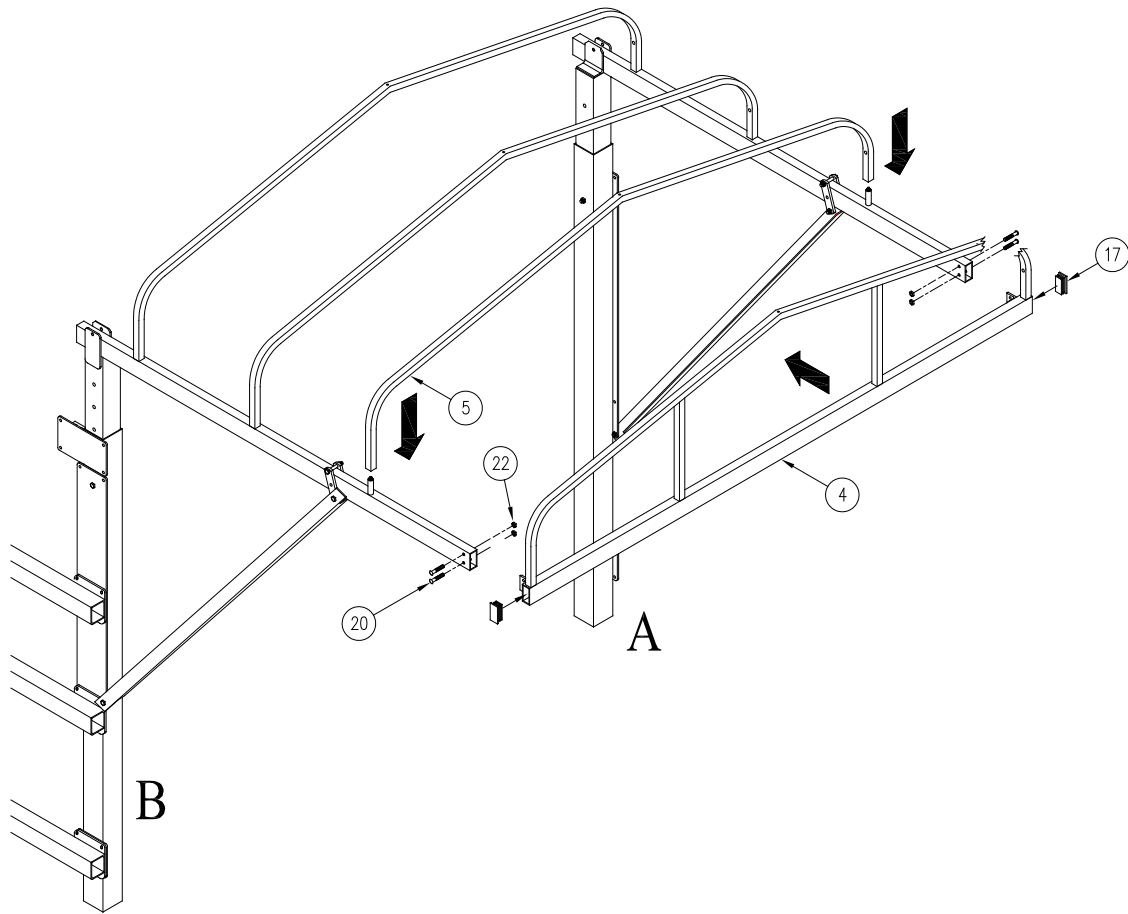


Figure 2-5.
Mounting the End Caps, Plastic Caps, and Canopy Ribs

7. Install plastic caps into the canopy frame end caps to prevent fabric abrasion.
8. Install the canopy ribs by sliding them onto the canopy rib bushings.
9. Refer to **Figure 2-6**. Assemble two end-center band (6) and one mid-center band (7) on top of the ribs with hardware shown. This will provide a uniform lay of the fabric. At center band, splice connections that do not meet at a rib. Use shorter hardware shown.

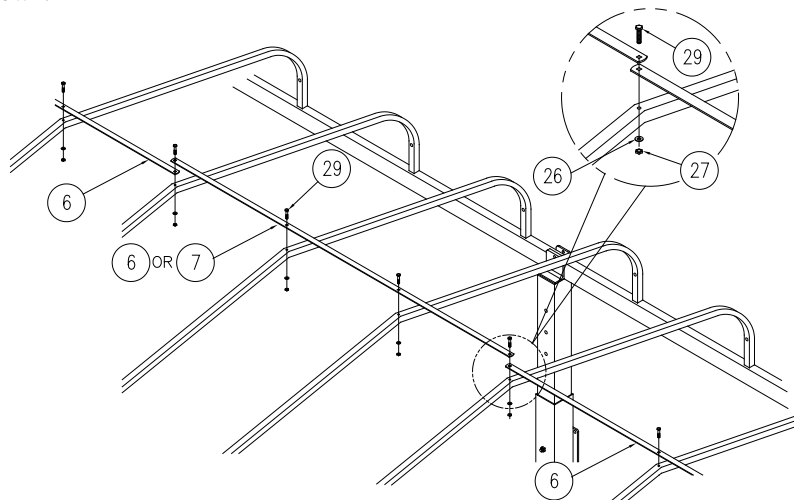
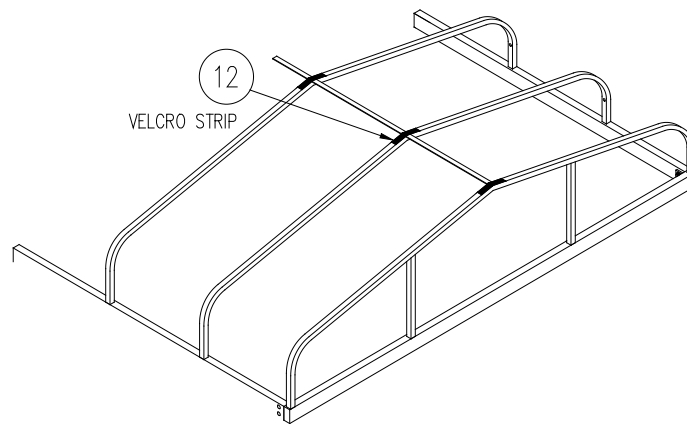


Figure 2-6.
Mounting the Center Bands

10. Refer to **Figure 2-7**. Clean the top of the canopy ribs and carriage bolt head (about 2 inches each side of bolt) with cloth dampened in rubbing alcohol. Allow surface to dry.
11. Cut supplied Velcro material per cutting chart below.
12. Remove peel-off backing of Velcro strips to expose adhesive.
13. Position center of Velcro strip over carriage bolt head in line with canopy rib.
14. Press down firmly over entire length of Velcro strip to secure it to bolt head and rib.

VELCRO CUTTING CHART

Canopy Length	Quantity	Velcro Cut Length
30'	15	4"
32'	15	4"
36'	17	4"
40'	19	4"



**Figure 2-7.
Velcro Strip Installation**

15. Refer to **Figure 2-8**. Place the canopy fabric bundle on top of the canopy frame and unfold down the length of the frame; then unfold across the width. Pull fabric snugly over the frame.

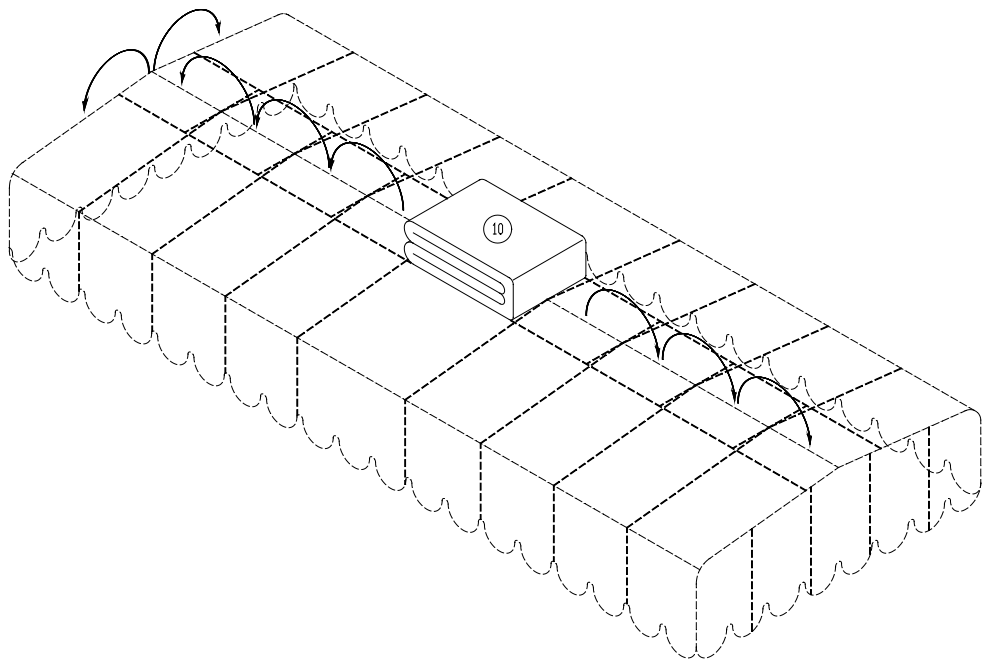
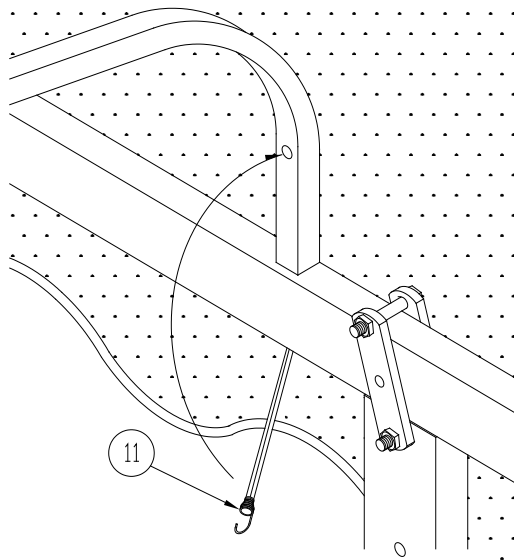
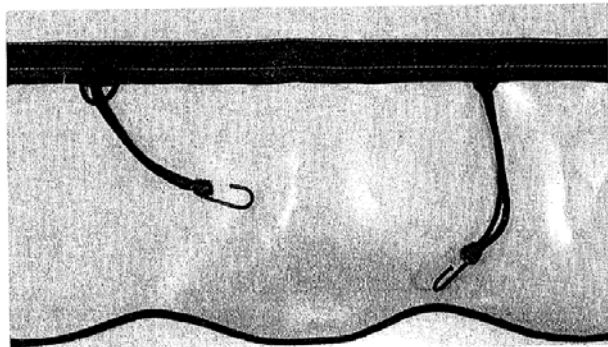


Figure 2-8.
Mounting the Canopy Fabric

16. Refer to **Figure 2-9**. Feed bungee cord through hole in webbing and thread hook end through loop to attach to webbing, Wrap bungee cord under and around canopy frame. Attach hook end to hole in canopy rib as shown.



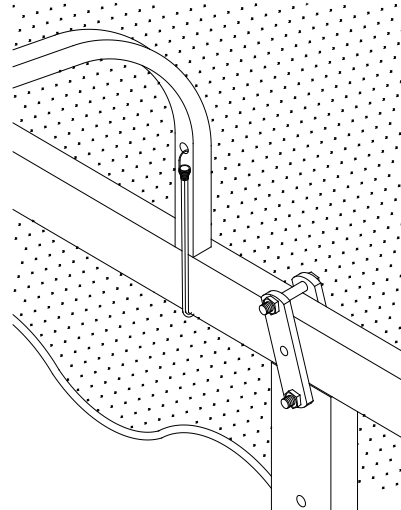
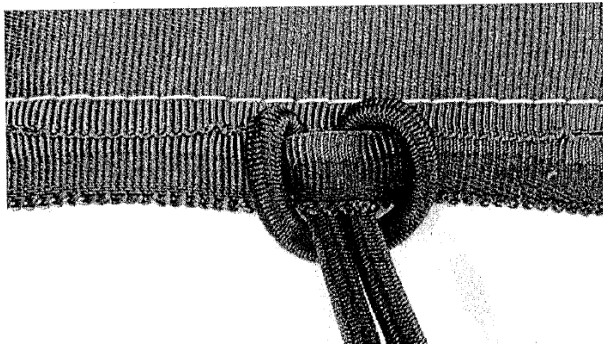


Figure 2-9.
Mounting the Bungee Hooks

17. Once the canopy is installed, take special care in areas prone to high wind to anchor and stabilize the lift.



WARNING:

HIGH WINDS CAN TOPPLE A CANOPY-EQUIPPED LIFT THAT IS NOT PROPERLY ANCHORED TO THE LAKE BOTTOM, ESPECIALLY WHEN THE BOAT IS NOT WEIGHING DOWN THE LIFT. THIS CAN CAUSE EQUIPMENT DAMAGE AND/OR PERSONAL INJURY.

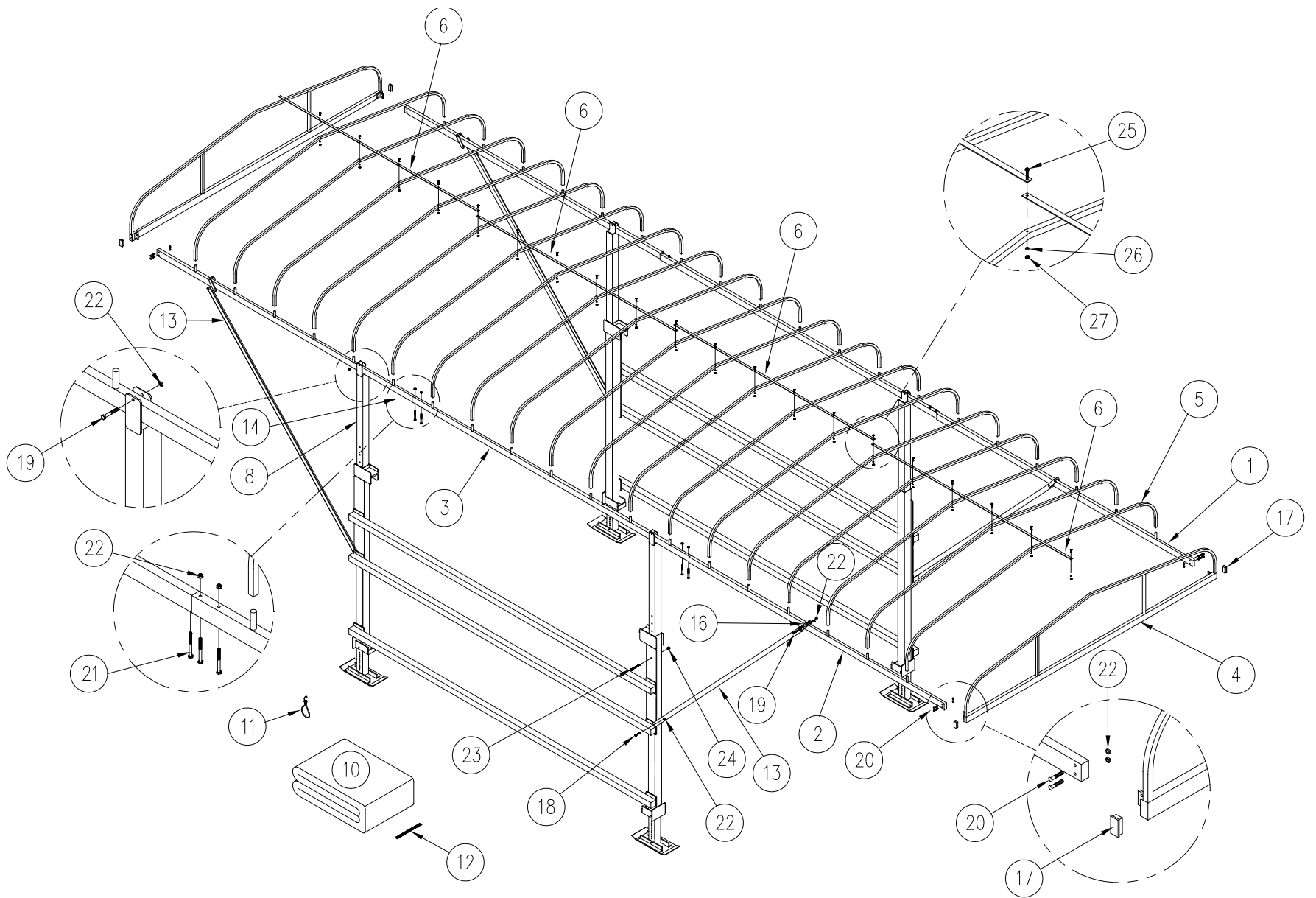


Figure 2-10.
Complete Canopy Framework

3 INSPECTION AND MAINTENANCE

3.1 GENERAL MAINTENANCE RULES

1. Do not stand or climb on any part of the lift when doing maintenance on the canopy.
2. If your lift is equipped with a handwheel, never reach through the spokes of the handwheel to perform any maintenance on the canopy. If the handwheel starts to spin freely, do not try to stop it. This can cause serious injury.
3. Do not let anybody operate the lift while doing maintenance on the canopy.
4. Check canopy regularly for defects. Do not continue using the canopy if it shows any signs of damage. Tighten all bolts at this time.
5. The canopy fabric should be cleaned regularly before substances such as dirt or bird droppings are allowed to accumulate and become embedded in the fabric. To clean, brush off any loose dirt, clean and hose down with a MILD solution of natural soap in lukewarm water (no warmer than 100°F), and rinse thoroughly to remove the soap. Do NOT use detergents. Allow canopy to air dry. It is not necessary to remove the canopy when cleaning it.

3.2 STORAGE PROCEDURE

1. Protect your canopy as far as possible from damage caused by environmental factors such as airborne fallout, chemicals, tree sap, and weather hazards.
2. Do not leave the fabric on the framework during off-season. The framework and fabric are not designed to handle top loading such as wet leaves or snow.
3. Store in a cool, dry place. Do not put the fabric away wet or dirty. Protect it by storing it in the original plastic bag.

4 PARTS LISTS

Each reference number in the following parts lists can be matched with the reference number referred to in both the text and illustrations of Chapter 2, Installation and Setup.

4.1 VL10K CANOPY BUNDLES (2010 Design)

4.1.1 #36----- Canopy Bundle 30' X 132''

REF #	PART #	QTY	DESCRIPTION
1	3609125	2	CANOPY CENTER STRINGER 138''
2	3609155	2	CANOPY END STRINGER ASSY RH 111''
3	3609140	2	CANOPY END STRINGER ASSY LH 111''
4	3609228	2	CANOPY END CAP 132''
5	3610965	15	CANOPY RIB 132''
6	3603643	2	CANOPY END CENTER BAND 120''
7	3603588	1	CANOPY MIDDLE CENTER BAND 121-1/2''
8	3610955	4	CAN EXT LEG 5' WLDMT 10132
13	3603594	2	CANOPY BRACE 84''
13	3605953	2	CANOPY BRACE 108''
	3609415	1	CANOPY CARTON OF PARTS 30' (SEE SECTION 4.2.1)
	as ordered	1	CANOPY FABRIC CARTON 30' X 132'' consisting of:
10	as ordered	1	CANOPY FABRIC 30' X 116''
11	6436905	8	CANOPY CORNER BUNGEE CORD 9''(used with strap & D-ring)
	6436910		CANOPY CORNER BUNGEE CORD 12''(used w/quicklash mounting 2015)
12	6403599	1	CANOPY VELCRO 6 FT. STRIP

4.1.2 #36----- Canopy Bundle 30' X 148''

REF #	PART #	QTY	DESCRIPTION
1	3609125	2	CANOPY CENTER STRINGER 138''
2	3609155	2	CANOPY END STRINGER ASSY RH 111''
3	3609140	2	CANOPY END STRINGER ASSY LH 111''
4	3609229	2	CANOPY END CAP 148''
5	3610755	15	CANOPY RIB 148''
6	3603643	2	CANOPY END CENTER BAND 120''
7	3603588	1	CANOPY MIDDLE CENTER BAND 121-1/2''
8	3610955	4	CAN EXT LEG 5' WLDMT 10132
13	3603594	2	CANOPY BRACE 84''
13	3605953	2	CANOPY BRACE 108''
	3609415	1	CANOPY CARTON OF PARTS 30'-32' (SEE SECTION 4.2.1)
	as ordered	1	CANOPY FABRIC CARTON 30' X 148'' consisting of:
10	as ordered	1	CANOPY FABRIC 30' X 124''
11	6436905	8	CANOPY CORNER BUNGEE CORD 9''(used with strap & D-ring)
	6436910		CANOPY CORNER BUNGEE CORD 12''(used w/quicklash mounting 2015)
12	6403599	1	CANOPY VELCRO 6 FT. STRIP

4.1.3 #3609587 Canopy Bundle 32' X 132''

REF #	PART #	QTY	DESCRIPTION
1	3609127	2	CANOPY CENTER STRINGER 162''
2	3609155	2	CANOPY END STRINGER ASSY RH 111''
3	3609140	2	CANOPY END STRINGER ASSY LH 111''
4	3609228	2	CANOPY END CAP 132''
5	3610965	15	CANOPY RIB 132''
6	3603643	2	CANOPY END CENTER BAND 120''
7	3603563	2	CANOPY MIDDLE CENTER BAND 75''
8	3610955	4	CAN EXT LEG 5' WLDMT 10132
13	3603594	2	CANOPY BRACE 84''
13	3605953	2	CANOPY BRACE 108''
	3609415	1	CANOPY CARTON OF PARTS 30'-32' (SEE SECTION 4.2.1)
	as ordered	1	CANOPY FABRIC CARTON 32' X 132'' consisting of:
10	as ordered	1	CANOPY FABRIC 32' X 132''
11	6436905	8	CANOPY CORNER BUNGEE CORD 9''(used with strap & D-ring)
	6436910		CANOPY CORNER BUNGEE CORD 12''(used w/quicklash mounting 2015)
12	6403599	1	CANOPY VELCRO 6 FT. STRIP

4.1.4 #36----- Canopy Bundle 32' X 148''

REF #	PART #	QTY	DESCRIPTION
1	3609127	2	CANOPY CENTER STRINGER 162''
2	3609155	2	CANOPY END STRINGER ASSY RH 111''
3	3609140	2	CANOPY END STRINGER ASSY LH 111''
4	3609229	2	CANOPY END CAP 148''
5	3610755	15	CANOPY RIB 148''
6	3603643	2	CANOPY END CENTER BAND 120''
7	3603563	1	CANOPY MIDDLE CENTER BAND 75''
8	3610955	4	CAN EXT LEG 5' WLDMT 10132
13	3603594	2	CANOPY BRACE 84''
13	3605953	2	CANOPY BRACE 108''
	3609415	1	CANOPY CARTON OF PARTS 30'-32' (SEE SECTION 4.2.1)
	as ordered	1	CANOPY FABRIC CARTON 32' X 148'' consisting of:
10	as ordered	1	CANOPY FABRIC 32' X 148''
11	6436905	8	CANOPY CORNER BUNGEE CORD 9''(used with strap & D-ring)
	6436910		CANOPY CORNER BUNGEE CORD 12''(used w/quicklash mounting 2015)
12	6403599	1	CANOPY VELCRO 6 FT. STRIP

4.1.5 #3609589 Canopy Bundle 34' X 132''

REF #	PART #	QTY	DESCRIPTION
1A	3609163	2	CANOPY CENTER STRINGER 93'' RH
1B	3609166	2	CANOPY CENTER STRINGER 93'' LH
2	3609155	2	CANOPY END STRINGER ASSY RH 111''
3	3609140	2	CANOPY END STRINGER ASSY LH 111''
4	3609228	2	CANOPY END CAP 132''
5	3610965	16	CANOPY RIB 132''
6	3603643	2	CANOPY END CENTER BAND 120''
7	3603561	2	CANOPY MIDDLE CENTER BAND 87''
8	3610955	4	CAN EXT LEG 5' WLDMT 10132

13	3603594	2	CANOPY BRACE 84"
13	3605953	2	CANOPY BRACE 108"
	3609420	1	CANOPY CARTON OF PARTS 36'-40' (SEE SECTION 4.3.1)
	as ordered	1	CANOPY FABRIC CARTON 34' X 132" consisting of:
10	as ordered	1	CANOPY FABRIC 34' X 132"
11	6436905	8	CANOPY CORNER BUNGEE CORD 9"(used with strap & D-ring)
	6436910		CANOPY CORNER BUNGEE CORD 12"(used w/quicklash mounting 2015)
12	6403599	1	CANOPY VELCRO 6 FT. STRIP

4.1.6 #3609590 Canopy Bundle 36' X 132"

REF #	PART #	QTY	DESCRIPTION
1	3609128	2	CANOPY CENTER STRINGER 168"
2	3609157	2	CANOPY END STRINGER ASSY RH 131"
3	3609142	2	CANOPY END STRINGER ASSY LH 131"
4	3609228	2	CANOPY END CAP 132"
5	3610965	17	CANOPY RIB 132"
6	3610765	1	CANOPY CENTER BAND 73"
7	3610760	3	CANOPY CENTER BAND 121 "
8	3610955	4	CAN EXT LEG 5' WLDMT 10132
13	3610770	2	CANOPY BRACE 130"
	3609420	1	CANOPY CARTON OF PARTS 36' (SEE SECTION 4.3.1)
	as ordered	1	CANOPY FABRIC CARTON 36' X 132" consisting of:
10	as ordered	1	CANOPY FABRIC 30' X 116"
11	6436905	8	CANOPY CORNER BUNGEE CORD 9"(used with strap & D-ring)
	6436910		CANOPY CORNER BUNGEE CORD 12"(used w/quicklash mounting 2015)
12	6403599	1	CANOPY VELCRO 6 FT. STRIP

4.1.7 #3609595 Canopy Bundle 40' X 132"

REF #	PART #	QTY	DESCRIPTION
1	3609128	2	CANOPY CENTER STRINGER 168 "
2	3609160	2	CANOPY END STRINGER ASSY RH 155"
3	3609143	2	CANOPY END STRINGER ASSY LH 155"
4	3609228	2	CANOPY END CAP 132"
5	3610965	19	CANOPY RIB 132"
6	3610760	4	CANOPY END CENTER BAND 121"
8	3610955	4	CAN EXT LEG 5' WLDMT 10132
13	3610770	4	CANOPY BRACE 130" 10K
	3609420	1	CANOPY CARTON OF PARTS 40'
	as ordered	1	CANOPY FABRIC CARTON 40' X 132" consisting of:
10	as ordered	1	CANOPY FABRIC 40' X 132"
11	6436905	8	CANOPY CORNER BUNGEE CORD 9"(used with strap & D-ring)
	6436910		CANOPY CORNER BUNGEE CORD 12"(used w/quicklash mounting 2015)
12	6403599	1	CANOPY VELCRO 6 FT. STRIP

4.1.8 #3609630 Canopy Bundle 36' X 148"

REF #	PART #	QTY	DESCRIPTION
1	3609128	2	CANOPY CENTER STRINGER 168"
2	3609157	2	CANOPY END STRINGER ASSY RH 131"
3	3609142	2	CANOPY END STRINGER ASSY LH 131"
4	3609229	2	CANOPY END CAP 148"

5	3610755	17	CANOPY RIB 148"
6	3610765	1	CANOPY CENTER BAND 73"
7	3610760	3	CANOPY CENTER BAND 121 "
8	3610955	4	CAN EXT LEG 5' WLDMT 10132
13	3610770	2	CANOPY BRACE 130"
	3609420	1	CANOPY CARTON OF PARTS 36' (SEE SECTION 4.3.1)
	as ordered	1	CANOPY FABRIC CARTON 36' X 132" consisting of:
10	as ordered	1	CANOPY FABRIC 30' X 116"
11	6436905	8	CANOPY CORNER BUNGEE CORD 9"(used with strap & D-ring)
	6436910		CANOPY CORNER BUNGEE CORD 12"(used w/quicklash mounting 2015)
12	6403599	1	CANOPY VELCRO 6 FT. STRIP

4.2 CANOPY CARTON OF PARTS AND BAG OF BOLTS 30-32'

4.2.1 #3609415 Carton of Parts

REF #	PART #	QTY	DESCRIPTION
17	6403795	4	PLASTIC CAP 1-1/2 X 3
16	9703593	8	3-HOLE PLATE 4-1/2"
	3609315	1	CANOPY BAG OF BOLTS 30' consisting of:
18	5806248	4	3/8-16 X 1-1/4 HEX HEAD CAP SCREW
19	5806255	12	3/8-16 X 3 HEX HEAD CAP SCREW
20	5803436	8	3/8-16 X 2-1/2 ROUND HEAD SCREW SLOTTED
21	5806257	8	3/8-16 X 3-1/2 HEX HEAD CAP SCREW
22	5806141	32	3/8-16 LOCKNUT
23	5806294	4	1/2-13 X 5 HEX HEAD CAP SCREW
24	5806142	4	1/2-13 LOCKNUT
28	5806206	2	1/4-20 X 3/4 HEX HEAD CAP SCREW
25	5806356	18	1/4-20 X 1-1/2 CARRIAGE BOLT
26	5806394	20	1/4 EXTERNAL TOOTH WASHER
27	5806373	20	1/4-20 HEX NUT

4.3 CANOPY CARTON OF PARTS AND BAG OF BOLTS 36-40'

4.3.1 #3609420 Carton of Parts

REF #	PART #	QTY	DESCRIPTION
17	6403795	4	PLASTIC CAP 1-1/2 X 3
16	9703593	8	3-HOLE PLATE 4-1/2"
	3609320	1	CANOPY BAG OF BOLTS 36-40' consisting of:
18	5806248	4	3/8-16 X 1-1/4 HEX HEAD CAP SCREW
19	5806255	12	3/8-16 X 3 HEX HEAD CAP SCREW
20	5803436	8	3/8-16 X 2-1/2 ROUND HEAD SCREW SLOTTED
21	5806257	8	3/8-16 X 3-1/2 HEX HEAD CAP SCREW
22	5806141	32	3/8-16 LOCKNUT
23	5806294	4	1/2-13 X 5 HEX HEAD CAP SCREW
24	5806142	4	1/2-13 LOCKNUT
25	5806356	22	1/4-20 X 1-1/2 CARRIAGE BOLT
26	5806394	22	1/4 EXTERNAL TOOTH WASHER
27	5806373	22	1/4-20 HEX NUT