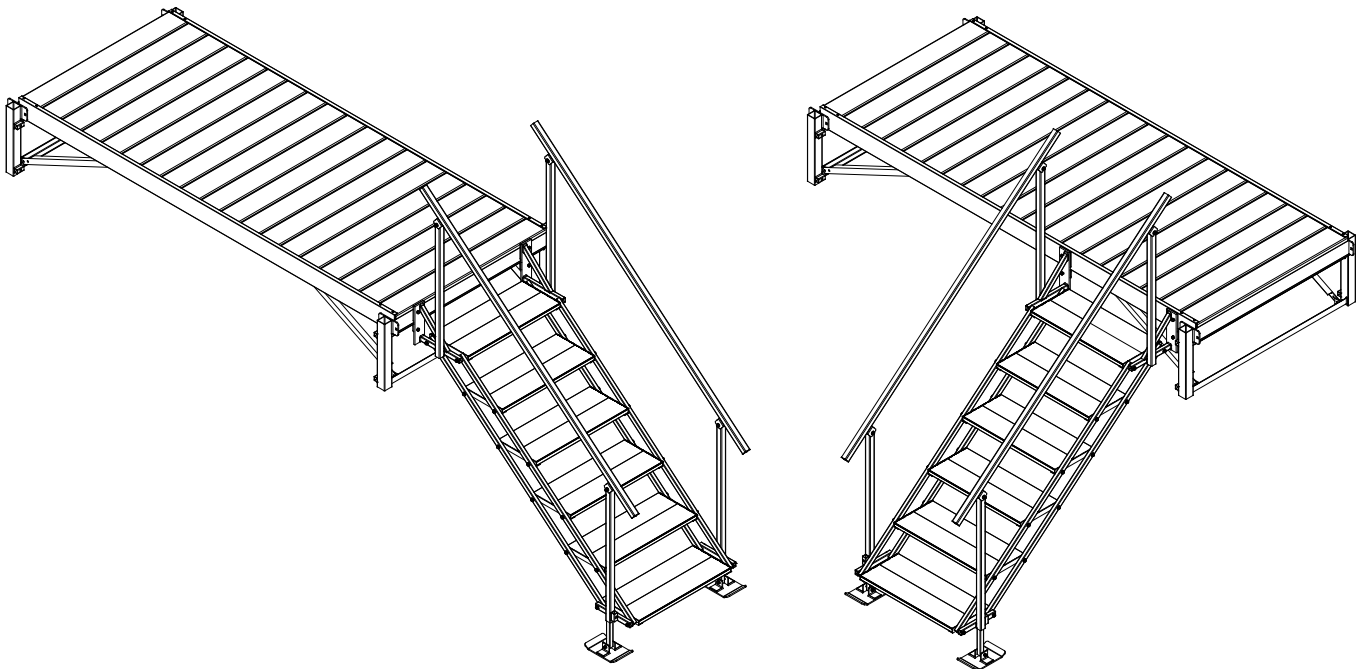




# **CLASSIC DOCK STAIRS with MTG & HDWR KIT INSTRUCTIONS**

**(Applies to P/N 4003190)**



**REIMANN & GEORGER CORPORATION**  
**MARINE PRODUCTS**  
P/N 6112156

**BUFFALO, NY**  
04/24/18

## 2 INSTALLATION AND SETUP

### 2.1 PRE-INSTALLATION CHECKS

1. Check the packing list to insure that you have all the parts for the dock configuration you are planning to build. Insure you have the desired type of deck.
2. If any parts are missing or damaged, contact your local supplier or Reimann & Georger Corporation. Do NOT assemble the dock if any part shows any signs of damage.
3. Do not weld or otherwise modify any part of the dock assembly. Such alterations may weaken the structural integrity of the dock and void the warranty.
4. Check water depth where each support post will be located.
5. Do not assemble the dock without first reviewing all the safety procedures described in Chapter 1.

### 2.2 GENERAL ASSEMBLY INSTRUCTIONS

1. The T-dock Stairs can be mounted to the end or side of the classic dock frame. Note: If mounting the T-dock stairs on the side of the dock, these stairs should be mounted on left or right side near a leg support.
2. See figures 2-1 thru 2-3 if mounting the T-dock stairs on end of the Classic Dock.
3. See figure 2-4 thru 2-6 if mounting the T-dock Stairs on the side of the Classic Dock.



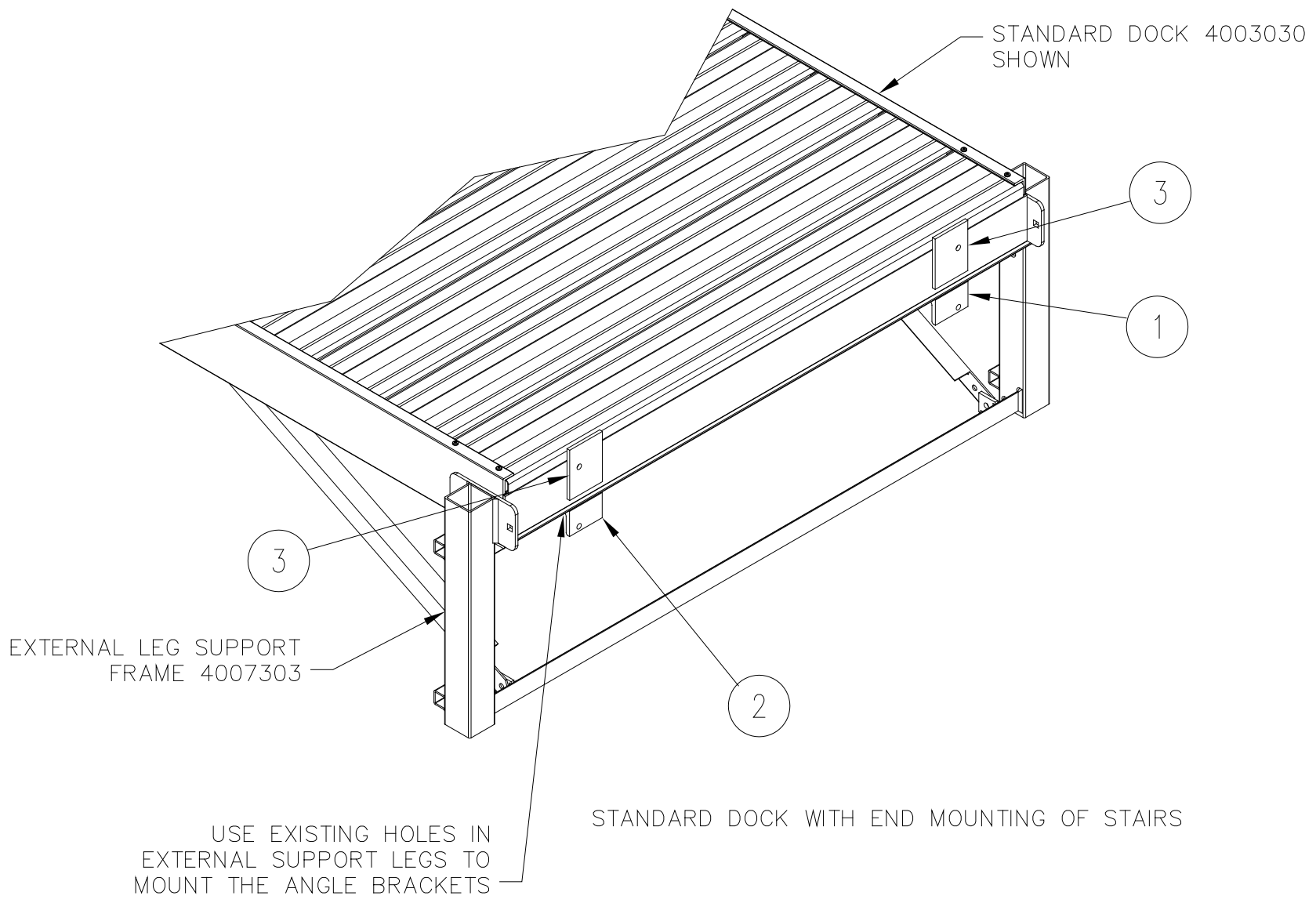
#### **CAUTION:**

**DO NOT EXCEED THE MAXIMUM TORQUE RATING ON ALL BOLTS OF 20 FT-LBS.**

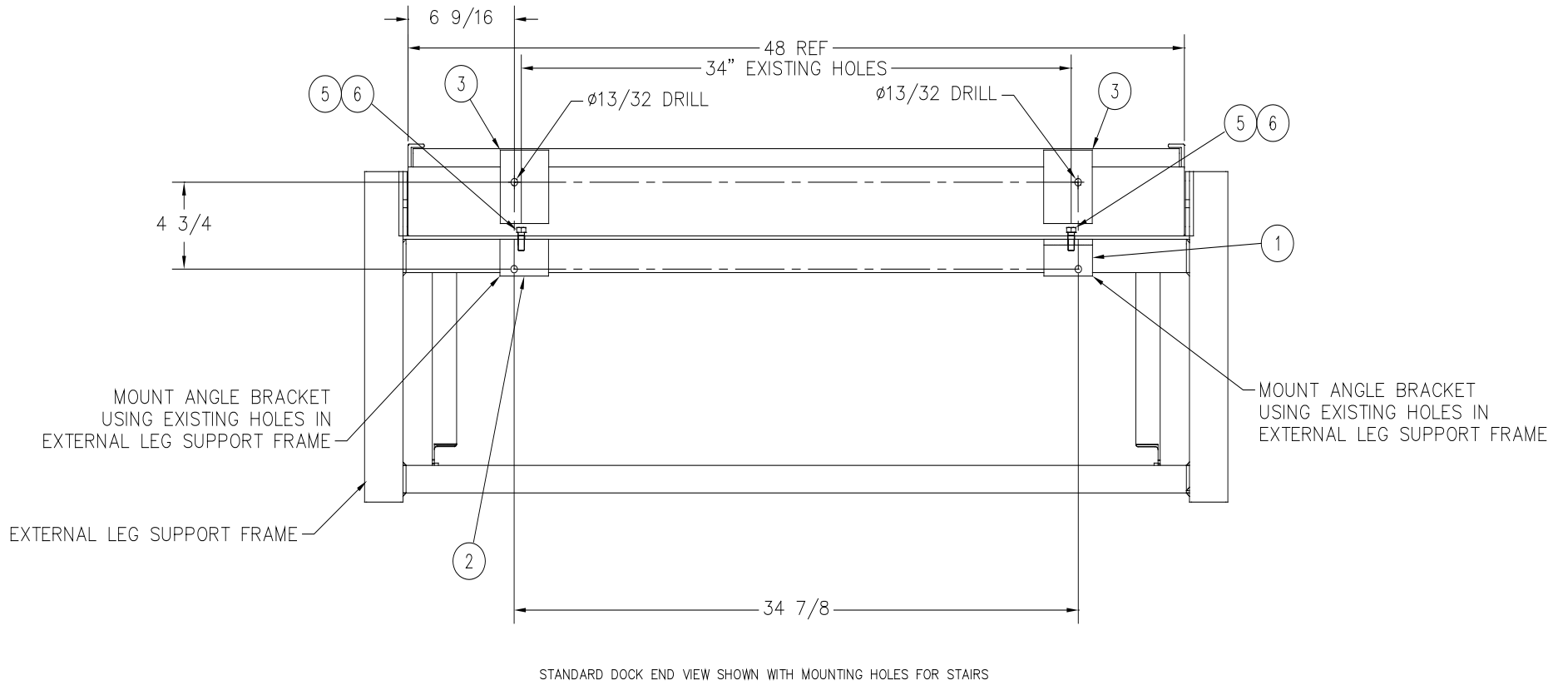


#### **WARNING:**

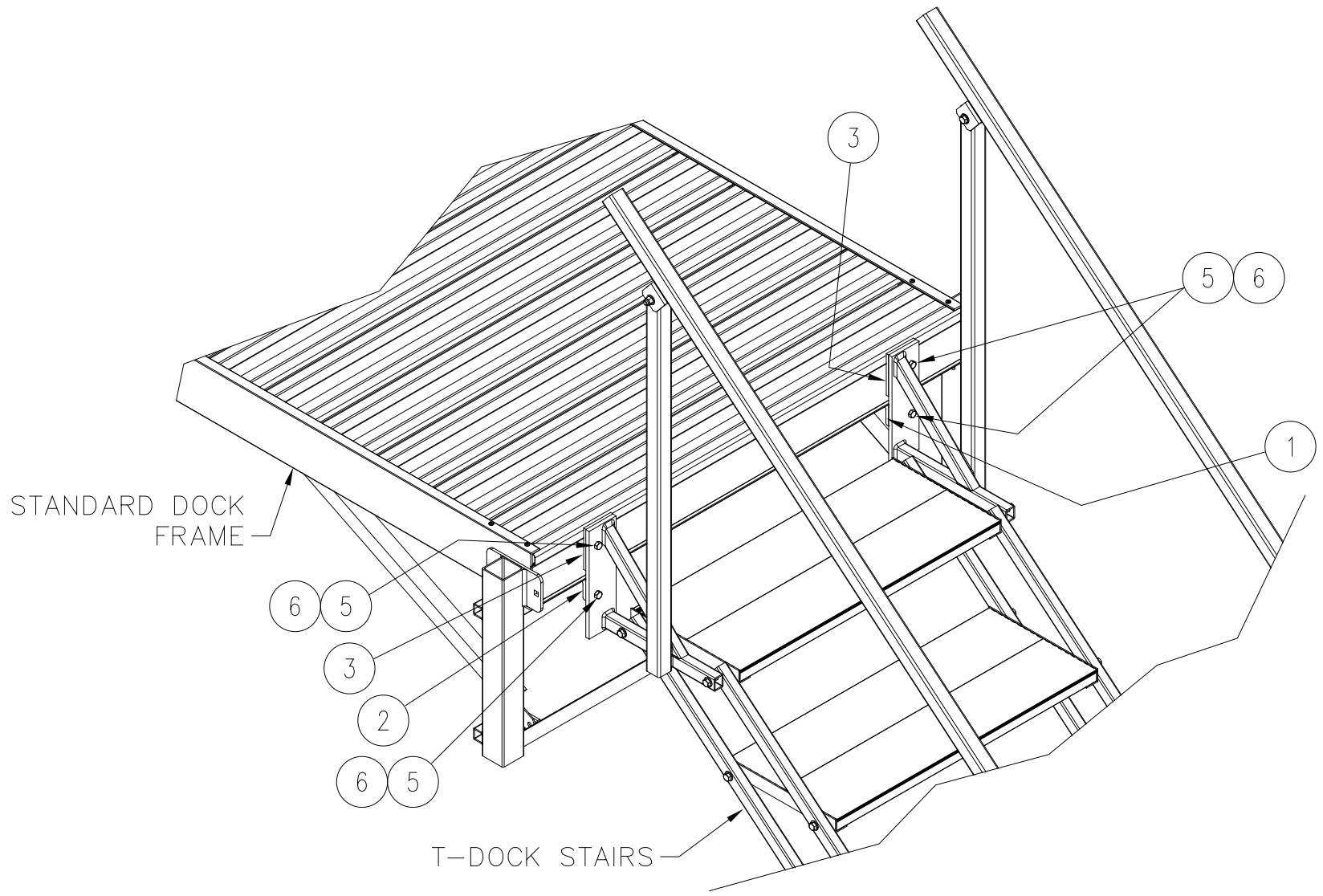
**FAILURE TO APPLY A SUITABLE LUBRICANT TO THE MATING SURFACES OF STAINLESS STEEL THREADED FASTENERS MAY CAUSE GALLING AND/OR SEIZING OF ASSEMBLY.**



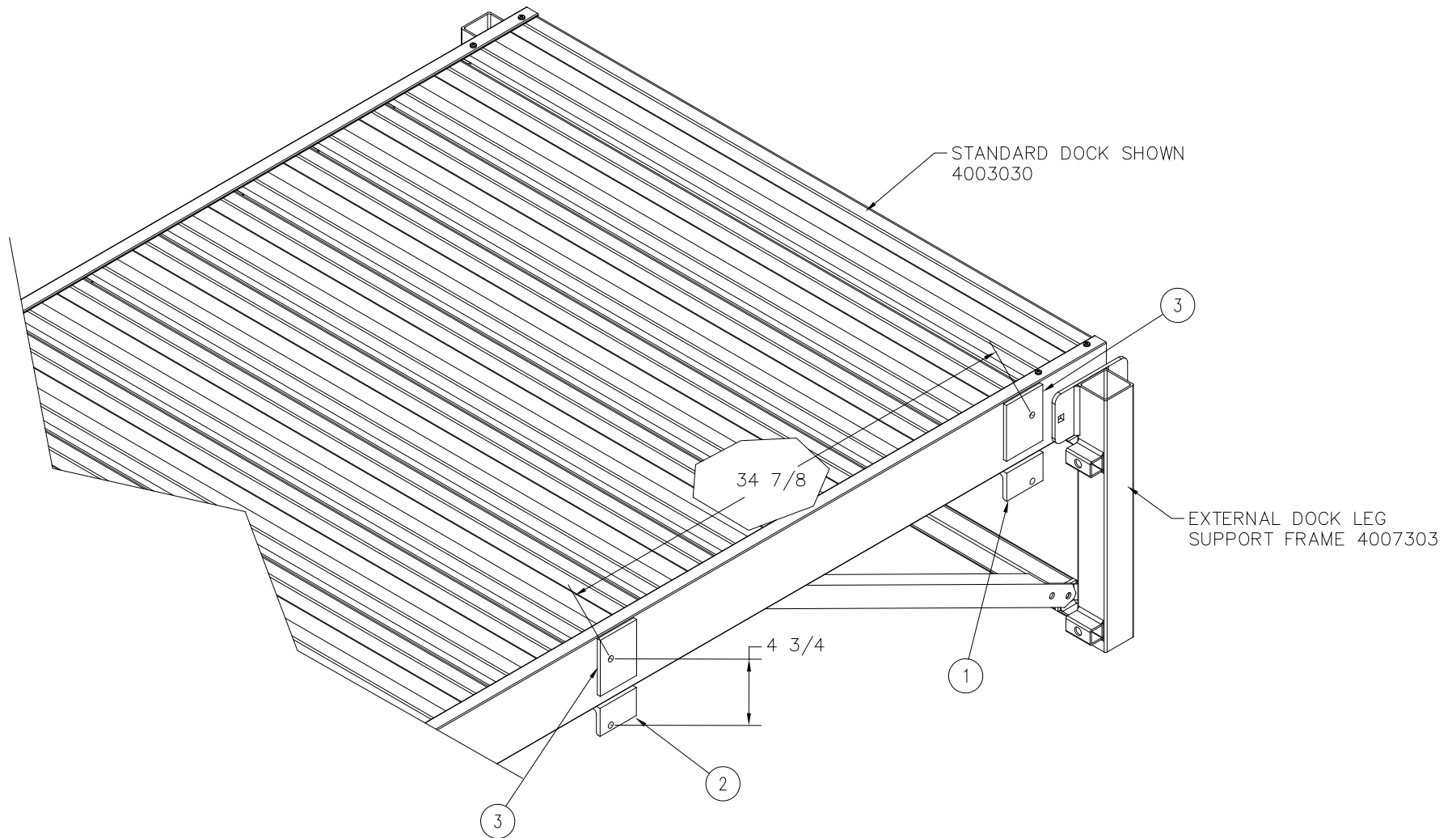
**Figure 2-1.**  
**T-Dock Stairs Mounting to End of Classic Dock**



**Figure 2-2.**  
**T-Dock Stairs Mounting Hole Layout for mounting on End of Dock**

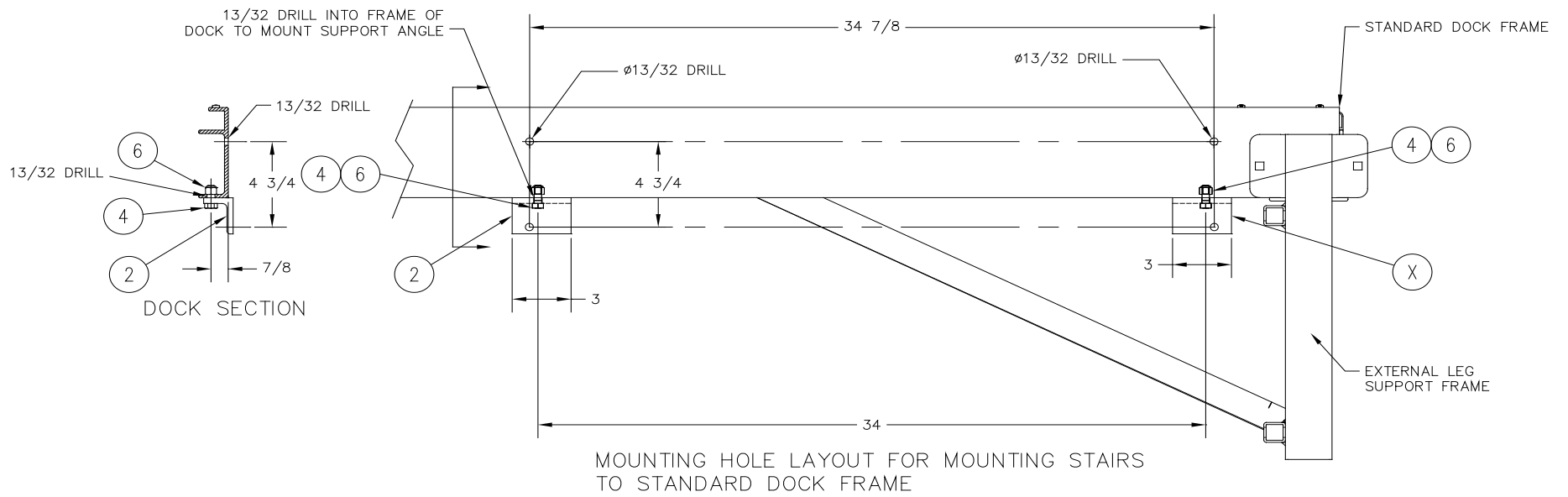


**Figure 2-3.**  
**T-Dock Stairs Mounting to End of Dock**

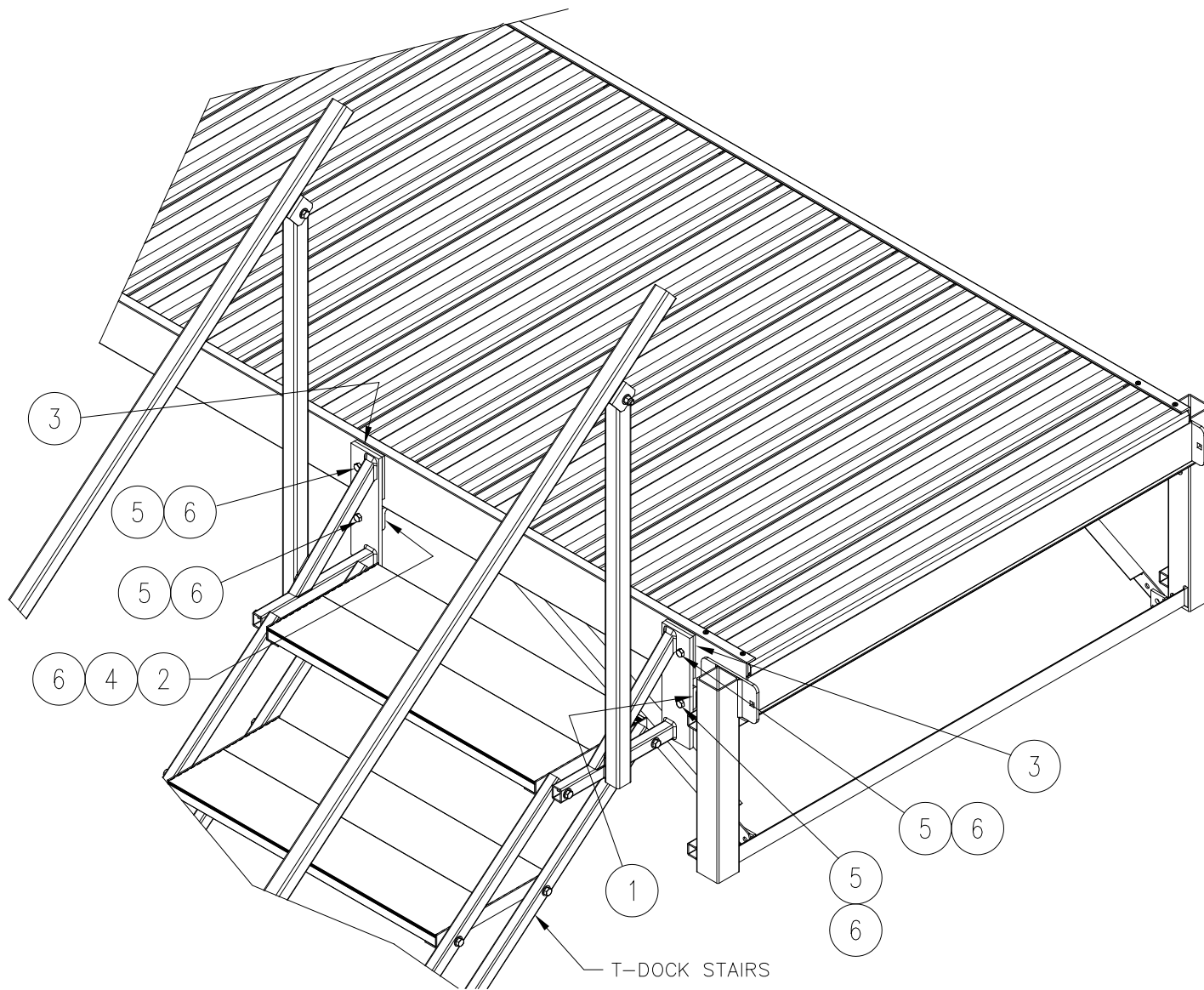


STANDARD DOCK SHOWN WITH LAYOUT OF MOUNTING HOLES FOR STAIRS ON SIDE OF DOCK.  
NOTE: STAIRS CAN BE MOUNTED ON LEFT OR RIGHT OF DOCK. ALWAYS MOUNT STAIRS NEAR CORNER SUPPORT LEGS.

**Figure 2-4.**  
**T-Dock Stairs Mounting to End of Classic Dock**



**Figure 2-5.**  
**T-Dock Stairs Mounting Hole Layout for mounting on Side of Dock**



**Figure 2-6.**  
**T-Dock Stairs Mounting to Side of Dock**



## PARTS LIST

REF	PART #	QTY	DESCRIPTION
1	4003594	1	CLASSIC DOCK STAIR MTG ANGLE LH
2	4003596	1	CLASSIC DOCK STAIR MTG ANGLE RH
3	4003598	2	CLASSIC DOCK STAIR MTG SPACER
4	5896247	2	HHCS 3/8-16 X 1 SS
5	5896248	4	HHCS 3/8-16 X 1-1/4 SS
6	5840103	6	NUT HEX NYLOCK 3/8-16 ALUM