



Guide-On Angle Assembly (Applies to P/N 3682280)

Your Reimann & Georger Corporation Marine Products Aluminum Guide On Angle Assembly is designed to aid in the positioning of boat on lift. Your Guide-On Angle Assembly is well-designed and well-built. However, like any other equipment, it can malfunction or become hazardous in the hands of an inexperienced and/or untrained user. Therefore, read this entire manual, your related Guide On manual, and related equipment manuals thoroughly before installing this kit and operating your lift to provide maximum safety for all operating personnel, and to get the maximum benefit from your equipment.

1 SAFETY

A safety message alerts you to potential hazards that could hurt you or others or cause property damage. The safety messages or signal words for product safety signs are **DANGER**, **WARNING**, and **CAUTION**. Each safety message is preceded by a safety alert symbol and is defined as follows:

DANGER: Indicates an imminently hazardous situation which, if not avoided, **will** cause death or serious injury. This safety message is limited to the most extreme situations.

WARNING: Indicates a potentially hazardous situation which, if not avoided, **could** result in death or serious injury.

CAUTION: Indicates a potentially hazardous situation which, if not avoided, **may** result in minor or moderate injury. It may also be used to alert against unsafe practices and property-damage-only accidents.

2 INSTALLATION AND SET UP

2.1 PRE-INSTALLATION CHECKS

1. Do not assemble this kit or any other component of the lift if any part appears to be damaged.
2. Do not weld or other wise modify any portion of the lift. Such alterations may weaken the structural integrity of the lift and void the warranty.

2.2 PRIOR TO SETUP

The part reference letters used in the parts list are the same as those shown in Figure 3-1.

2.3 GUIDE ON ASSEMBLY

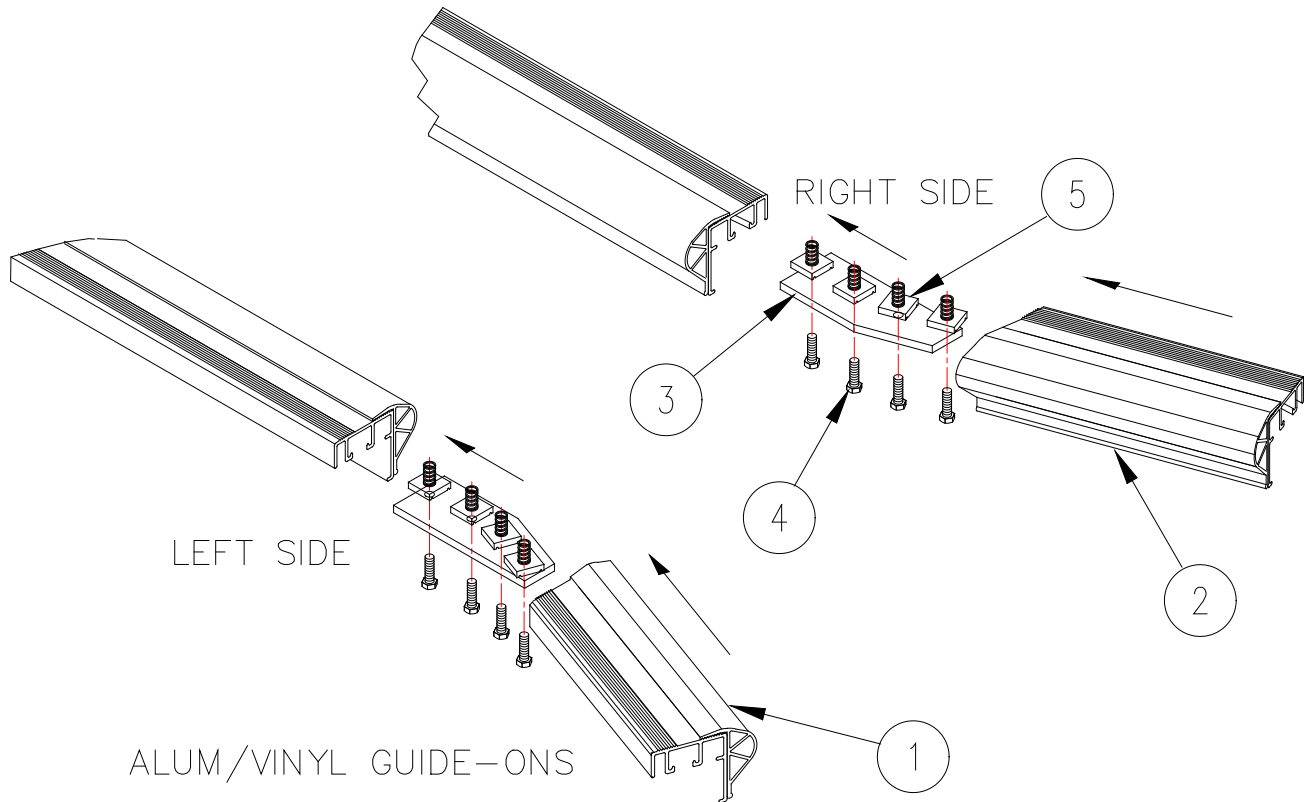
1. (Refer to Figure 3-1) Insert the guide on angle mounting bracket(3). Secure guide-on angle mounting bracket using two each, spring nut (4), and hex head cap screw (5). Do not over tighten screws at this point until the guide-on angle assembly is mounted.
2. Install the guide-on angle assembly unto the mounting bracket using two each, spring nut (4), and hex head cap screw (5). Tighten all four bolts to secure the guide-on angle assembly to the guide-on.

CAUTION : DO NOT OVER TIGHTEN SCREWS. TO DO SO WILL DAMAGE THE TOP SURFACE OF THE ALUMINUM GUIDE ON.

3 VL GUIDE ON PARTS LIST

3.1 3682280 Guide On Angle Carton of Parts (Aluminum Guide On Only)

REF #	PART #	QTY	DESCRIPTION
1	3682301	1	GUIDE ON ANGLE ASSEMBLY LH
2	3682302	1	GUIDE ON ANGLE ASSEMBLY RH
3	3682303	2	GUIDE ON ANGLE MOUNTING BRACKET
	3682304	1	GUIDE ON ANGLE BAG OF BOLTS includes the following:
4	5805898	8	NUT SPRING UNI 3/8-16 CZP
5	5896248	8	HHCS 3/8-16 X 1-1/4 SS



(Figure 3-1)
Guide On Angle Assembly