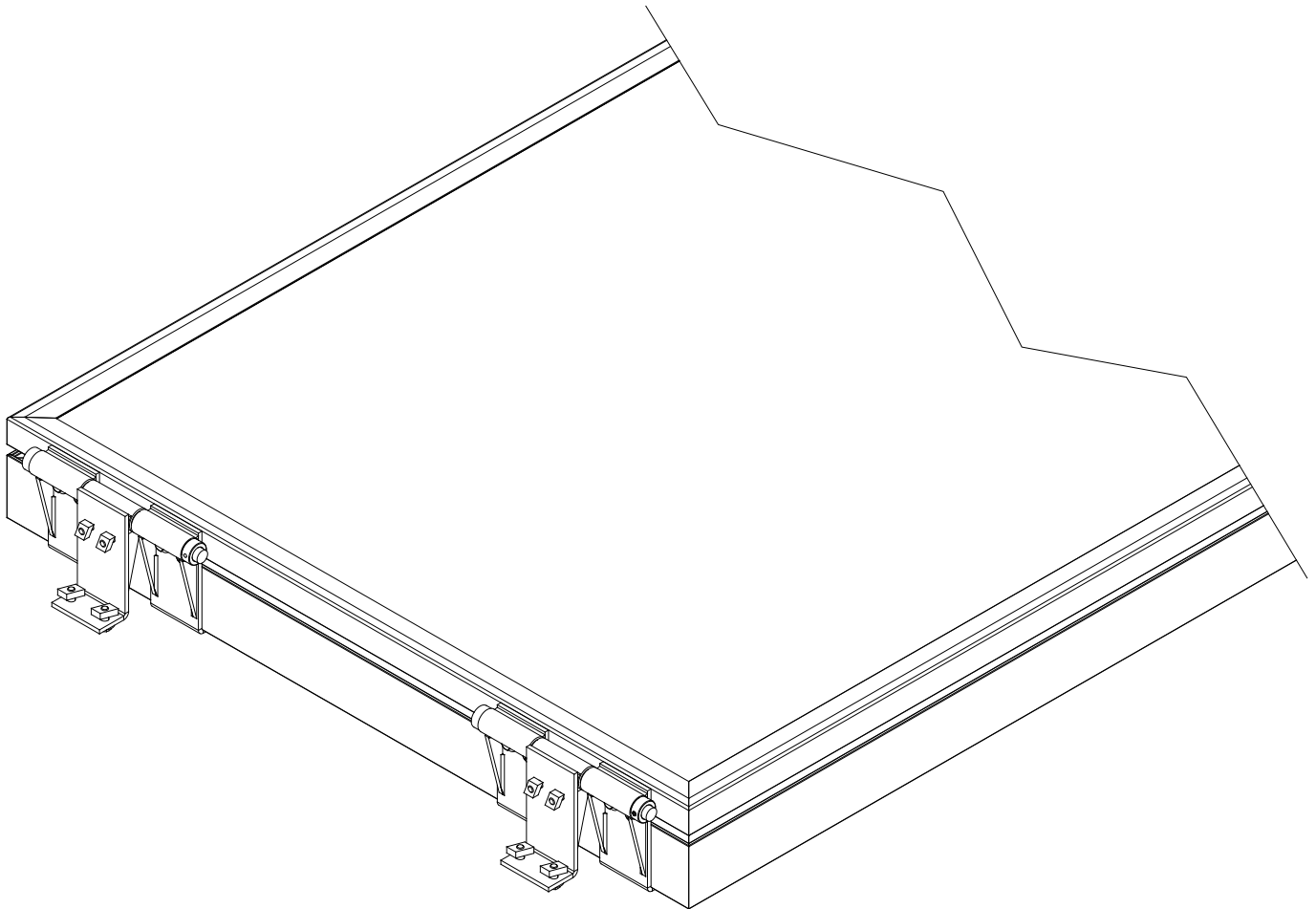




FLOATING DOCK HINGE KIT INSTRUCTIONS



REIMANN & GEORGER CORPORATION
MARINE PRODUCTS
P/N 6112238

BUFFALO, NY
4/23/14

1 INSTALLATION AND SETUP

1.1 PRE-INSTALLATION CHECKS

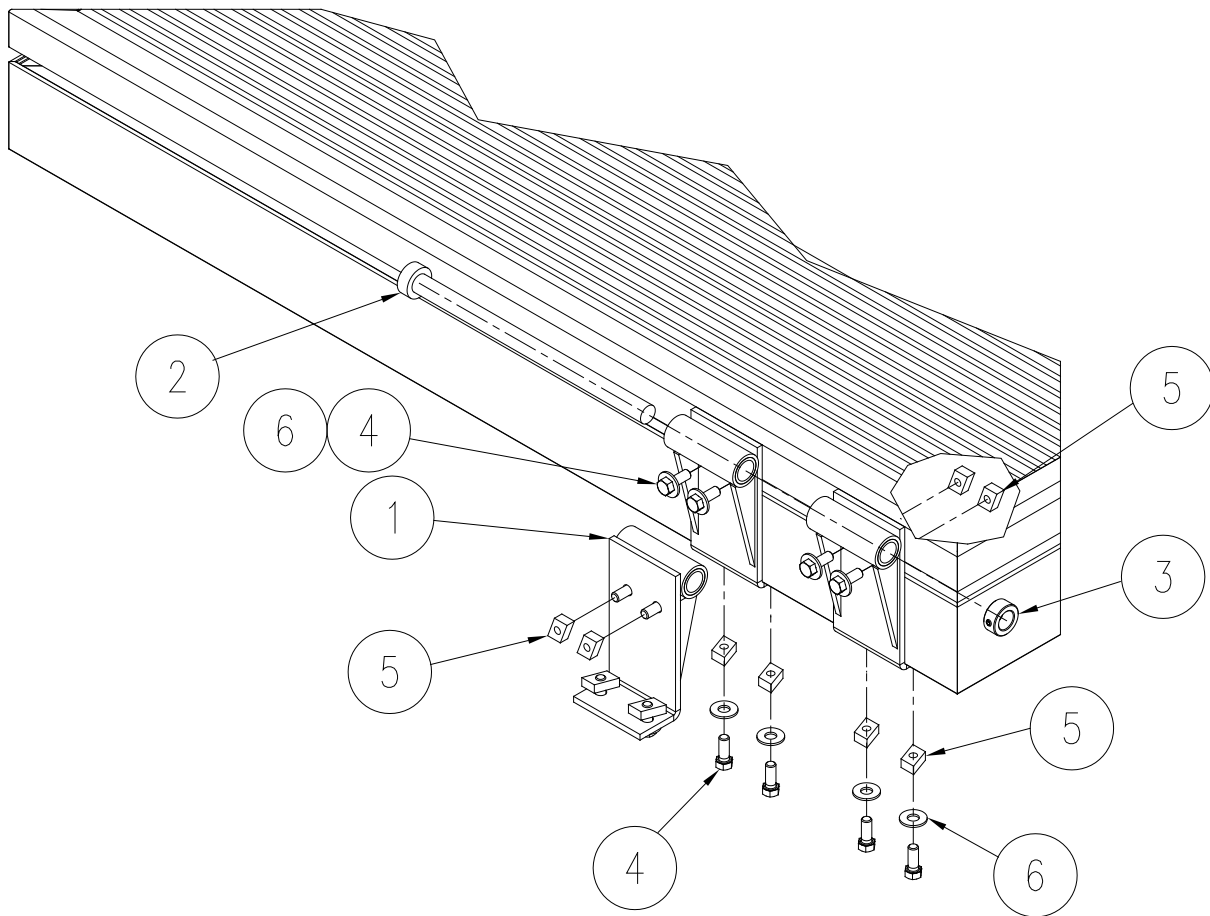
1. Check the packing list to ensure that you have all the parts for the dock configuration you are planning to build. Ensure you have the desired type of deck.
2. If any parts are missing or damaged, contact your local supplier or Reimann & Georger Corporation. Do NOT assemble the dock if any part shows any signs of damage.
3. Do not weld or otherwise modify any part of the dock assembly. Such alterations may weaken the structural integrity of the dock and void the warranty.

1.2 HINGE MOUNTING INSTRUCTIONS



WARNING:

FAILURE TO APPLY A SUITABLE LUBRICANT TO THE MATING SURFACES OF STAINLESS STEEL THREADED FASTENERS MAY CAUSE GALLING AND/OR SEIZING OF ASSEMBLY.



2 PARTS LISTS

Each reference number in the following parts lists can be matched with the reference number in both the text and illustrations of Chapter 3, Installation and Setup.

2.1 407004 FD DOCK HINGE KIT 4'

| REF # | PART # | QTY | DESCRIPTION |
|-------|---------|-----|-----------------------|
| | 4070310 | 2 | FD DOCK HINGE SET 12" |

2.2 407006 FD DOCK HINGE KIT 6'

| REF # | PART # | QTY | DESCRIPTION |
|-------|---------|-----|-----------------------|
| | 4070310 | 3 | FD DOCK HINGE SET 12" |

2.3 4070310 FD DOCK HINGE SET 12"

| REF # | PART # | QTY | DESCRIPTION |
|-------|----------------|----------|--|
| 1 | 4070295 | 3 | FD DOCK HINGE ASSY |
| 2 | 4070452 | 1 | FD DOCK HINGE PIN WELDMENT |
| 3 | 5840702 | 1 | COLAR, SHAFT 3/4" ALUM |
| | 4070307 | 3 | FD DOCK HINGE BOB includes the following: |
| 4 | 5896247 | 4 | HHCS 3/8-16 X 1 SS |
| 5 | 5840701 | 4 | NUT DROP-IN 3/8-16 ALUM |
| 6 | 5896406 | 4 | WASHER FLAT SAE 3/8 SS |