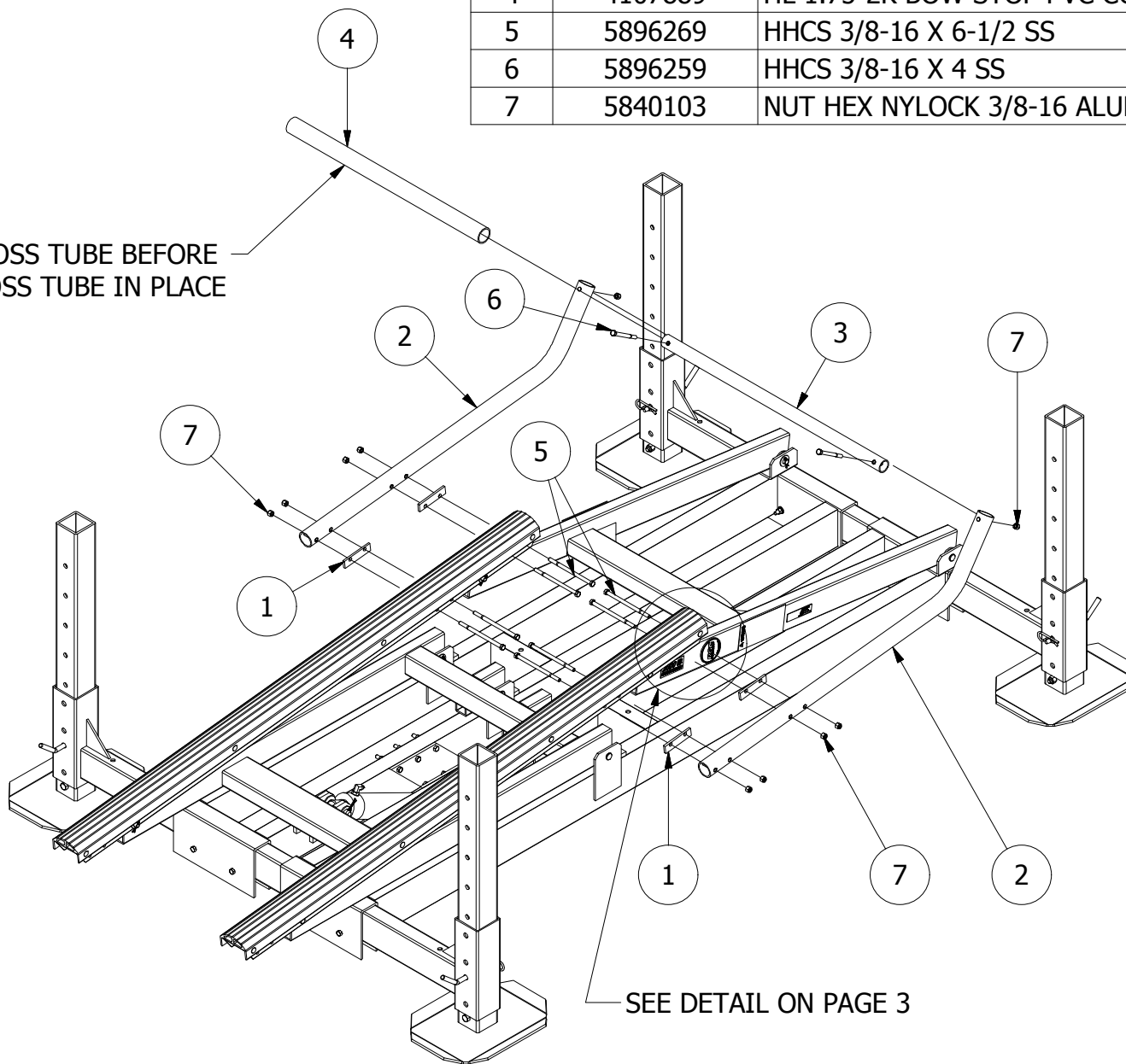
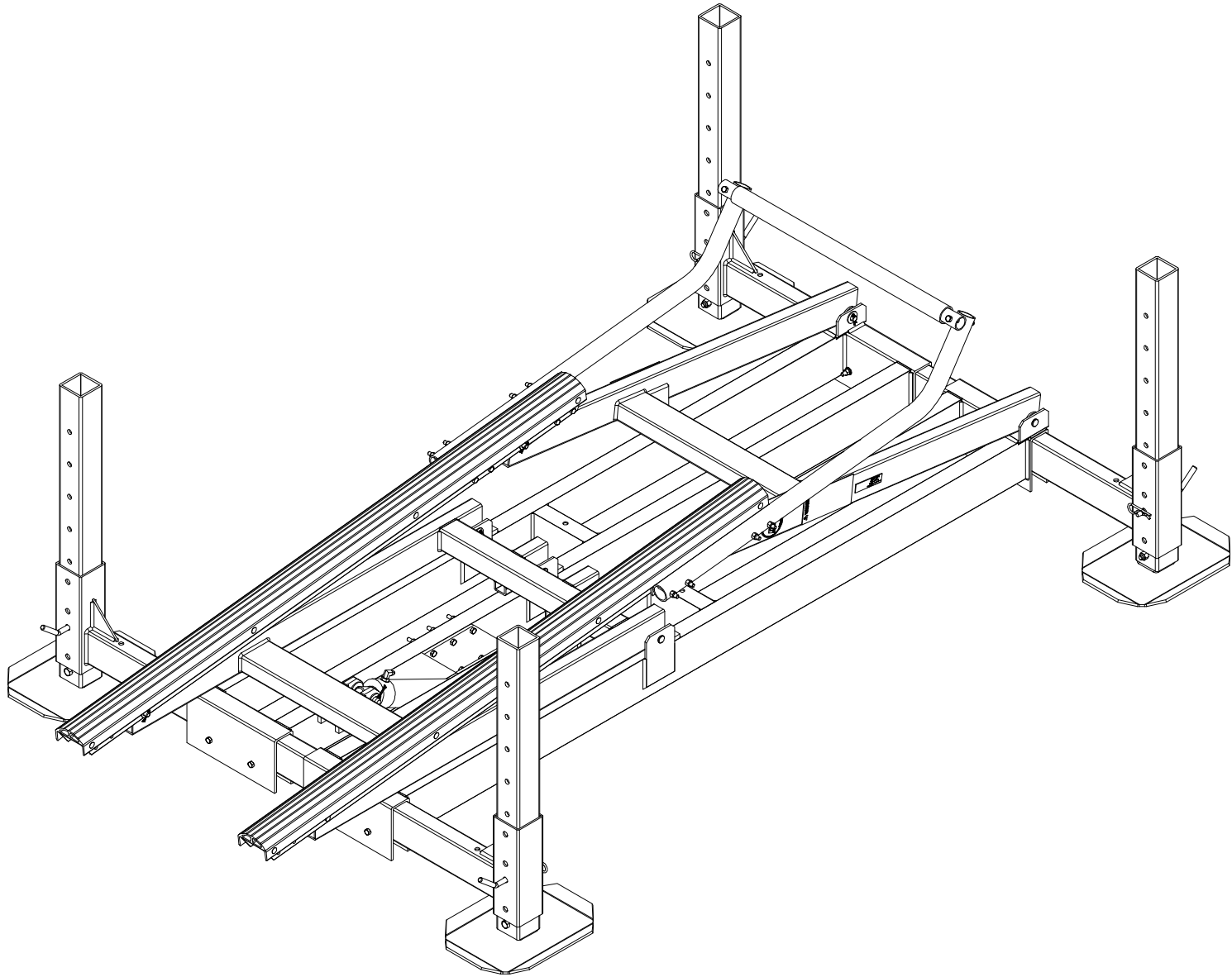


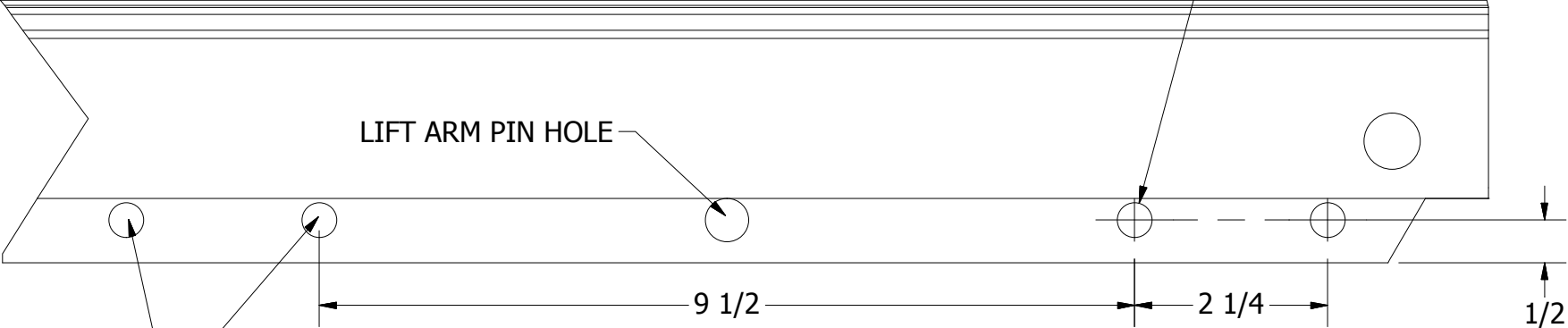
ITEM	PART NUMBER	DESCRIPTION	QTY	UM
1	4107886	HL 1.75-2K BOW STOP SIDE BRACE SPACER	4	EA
2	4107883	HL 1.75-2K BOW STOP SIDE BRACE	2	EA
3	4107885	HL 1.75-2K BOW STOP CROSS TUBE	1	EA
4	4107889	HL 1.75-2K BOW STOP PVC COVER	1	EA
5	5896269	HHCS 3/8-16 X 6-1/2 SS	8	EA
6	5896259	HHCS 3/8-16 X 4 SS	2	EA
7	5840103	NUT HEX NYLOCK 3/8-16 ALUM	10	EA

SLIDE OVER CROSS TUBE BEFORE FASTENING CROSS TUBE IN PLACE





DETAIL A



EXISTING HOLES

LIFT ARM PIN HOLE

DRILL $\varnothing 7/16$ THRU BOTH WALLS OF BUNK 2 PLACES

$9 \frac{1}{2}$

$2 \frac{1}{4}$

$\frac{1}{2}$

DRILL (2) $7/16$ " HOLES THROUGH THE BUNKS AS INDICATED IN DETAIL A

