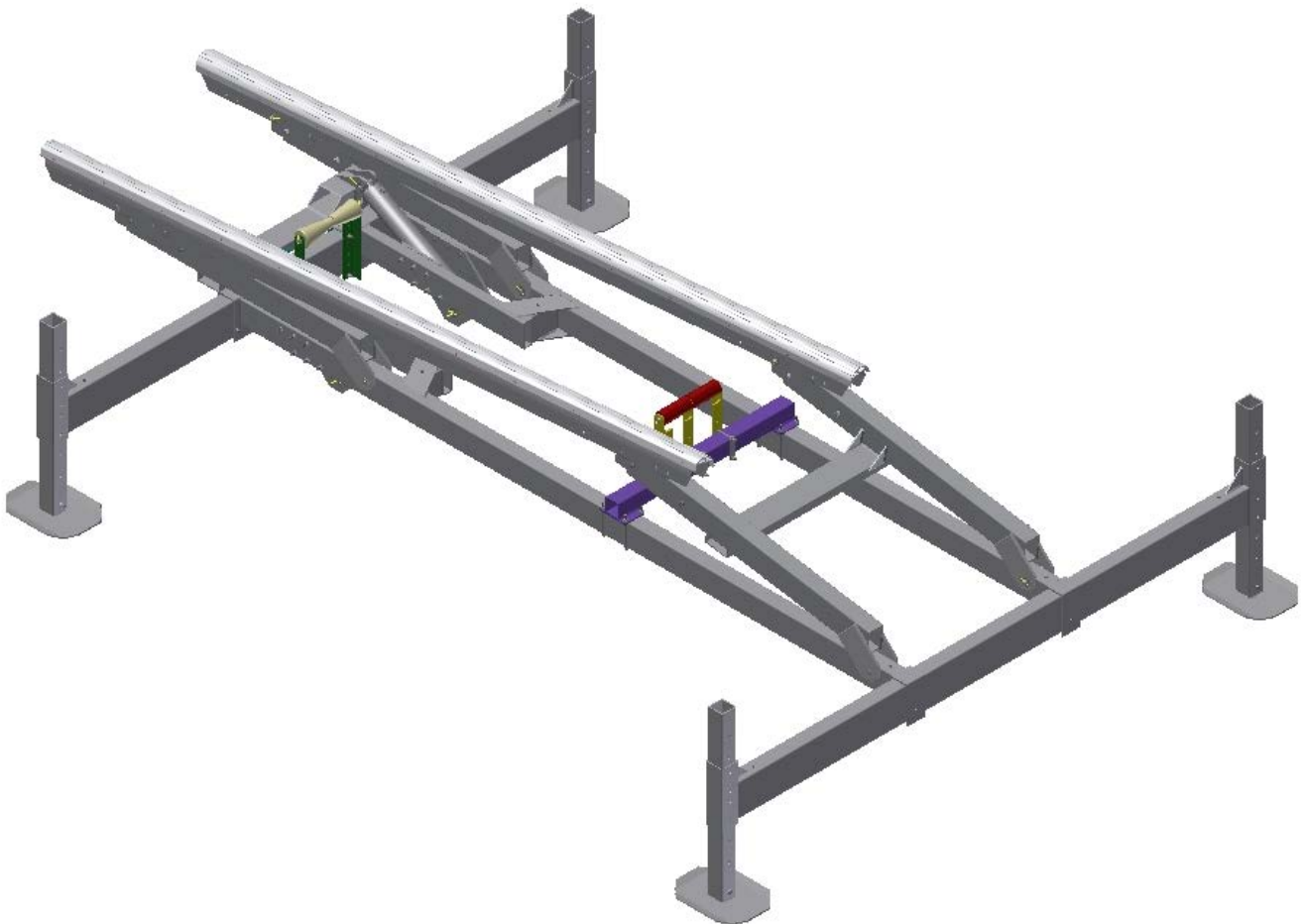




HL5-7K FORE & AFT KEEL ROLLER KIT INSTRUCTIONS

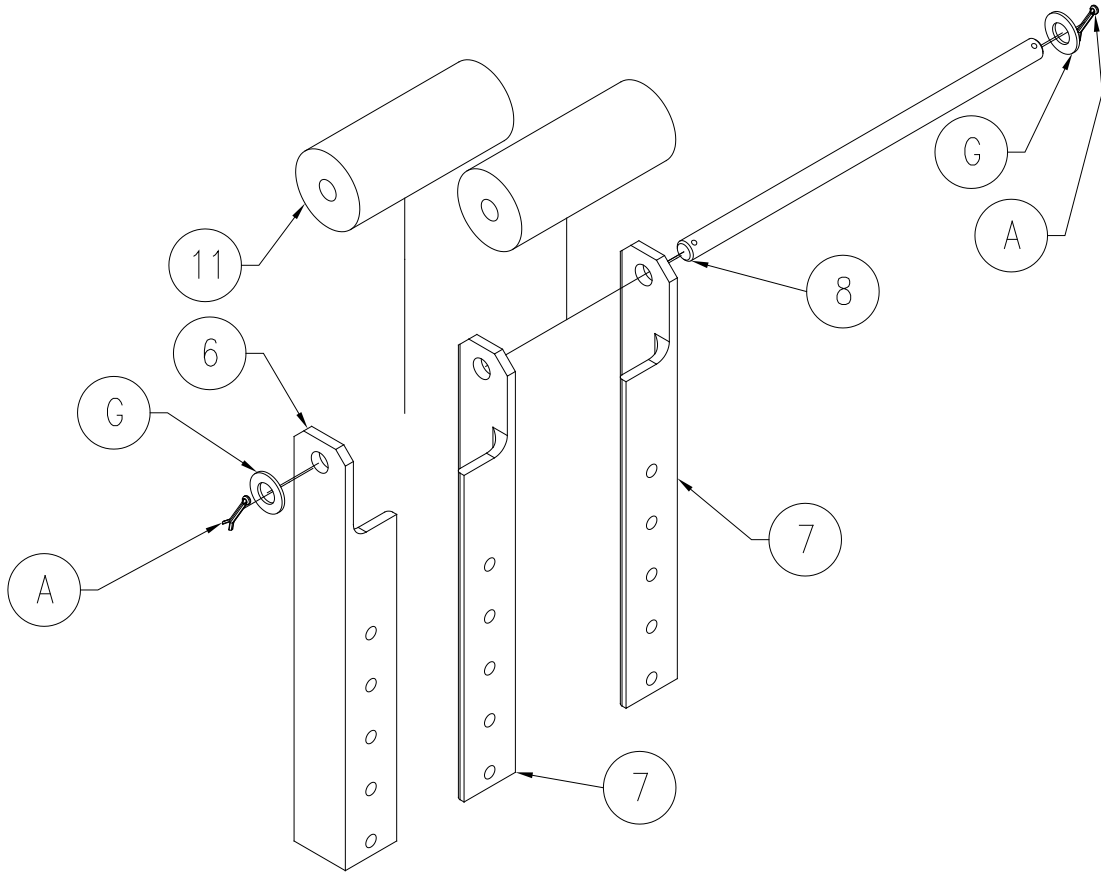
(Applies to P/Ns 4107194 & 4107198)



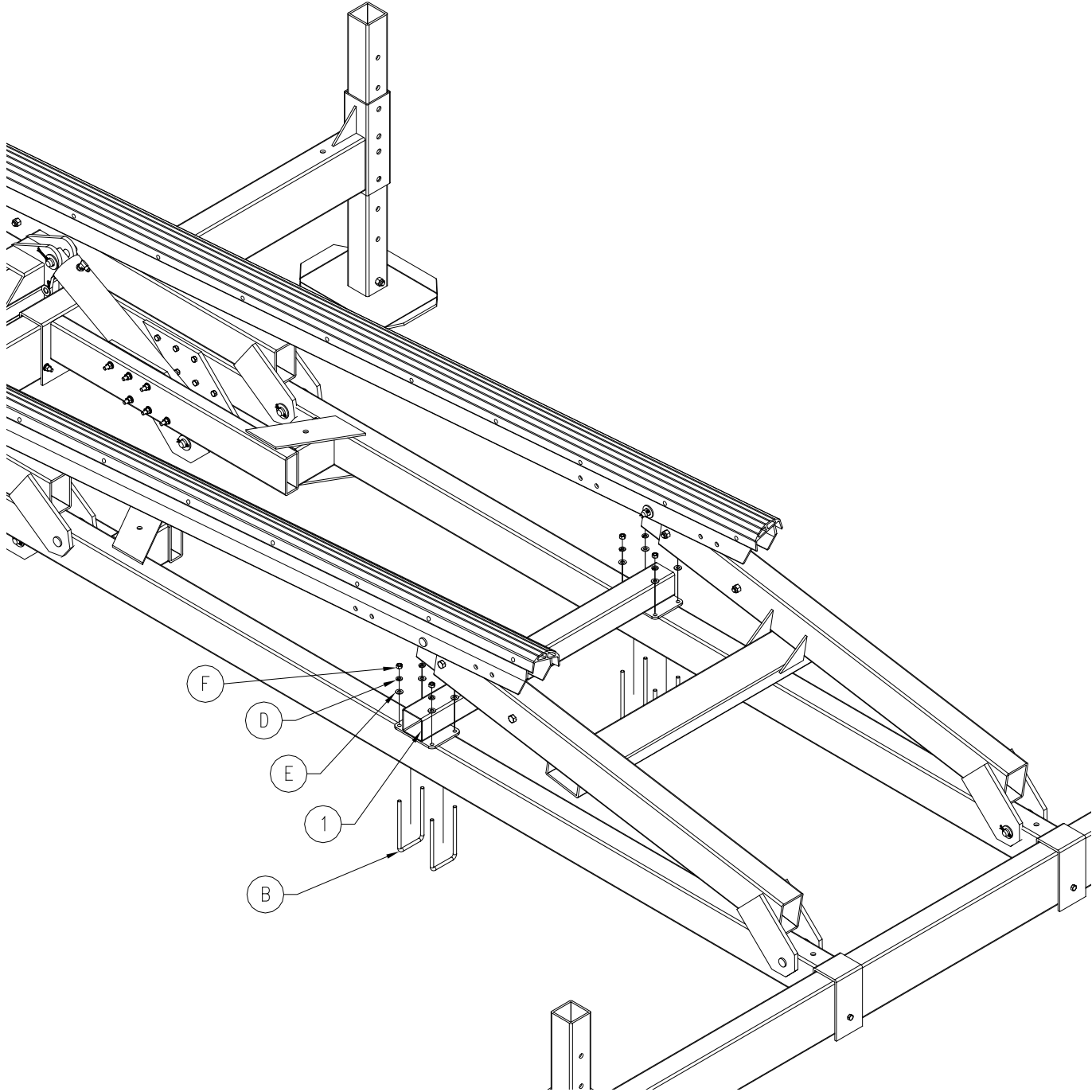
REIMANN & GEORGER CORPORATION
MARINE PRODUCTS
P/N 6112228

BUFFALO, NY
04/11/18

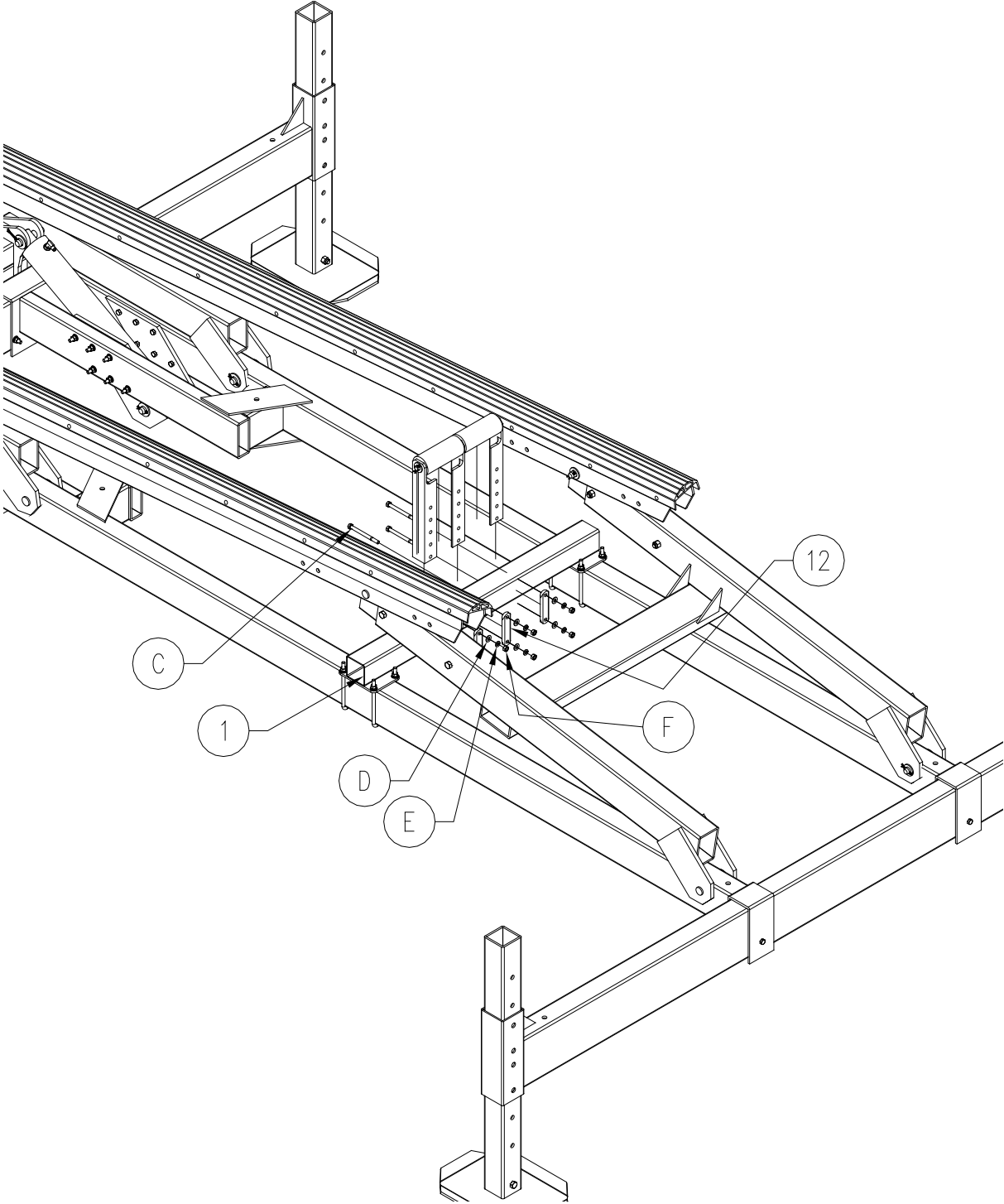
STEP 1
HL AFT KEEL ROLLER ASSEMBLY



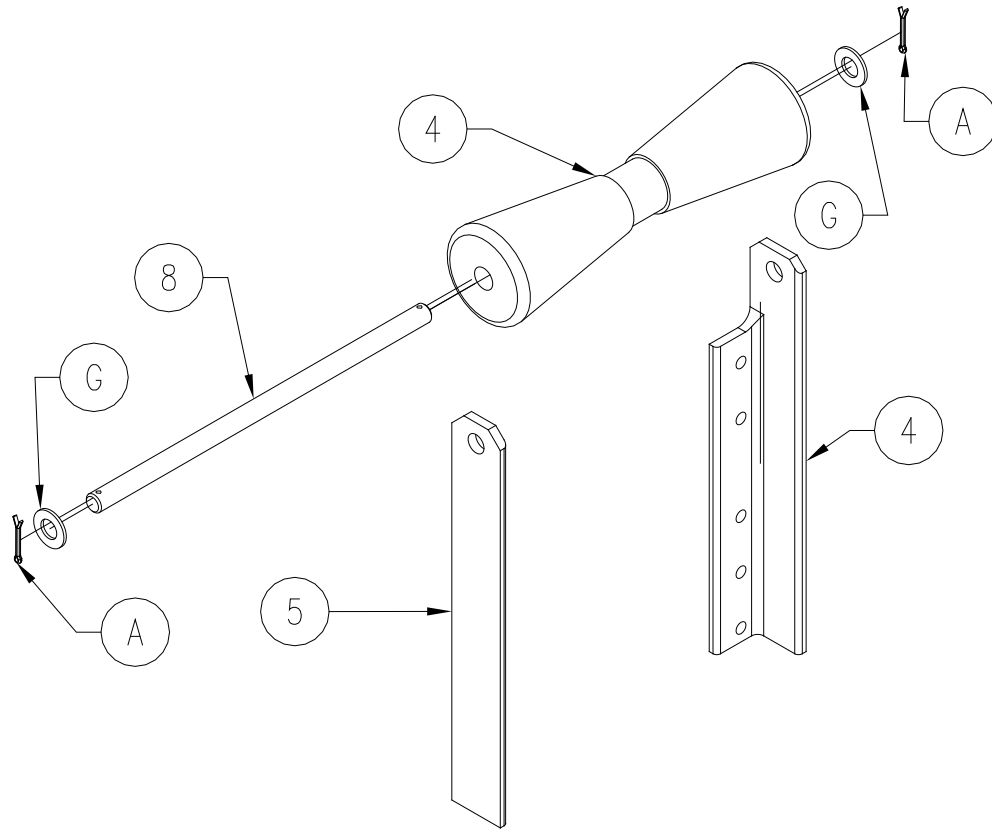
STEP 2
HL AFT KEEL ROLLER CROSS TUBE ASSEMBLY



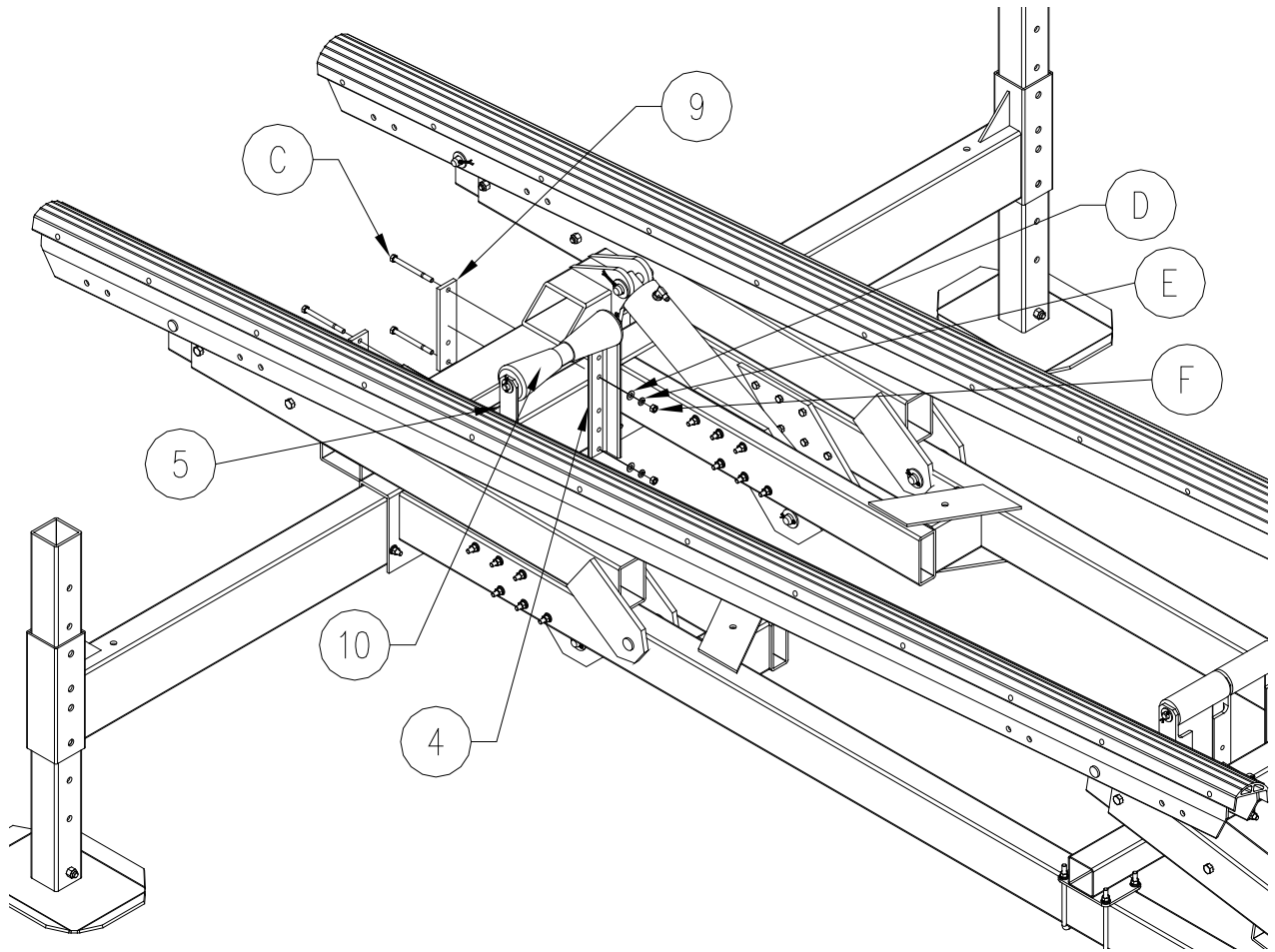
STEP 3
HL AFT KEEL ROLLER BRACKET ASSEMBLY



STEP 4
HL FORE KEEL ROLLER ASSEMBLY



STEP 5
HL FORE KEEL ROLLER BRACKET ASSEMBLY



HL5-6K FORE & AFT KEEL ROLLER PARTS LIST

Each reference number or letter in the following parts lists can be matched with the reference number or letter referred to in the illustrations of the instruction manual.

4107194 HL5-6K Fore & Aft Keel Roller Kit

REF #	PART #	QTY	DESCRIPTION
1	4107580	1	HL FORE KEEL ROLLER CROSS TUBE WELDMENT
	4107243	1	HL5-6K FORE&AFT KEEL ROLLERCOP includes the following:
3	3617784	2	VL CRADLE HEAD
4	4107762	1	HL AFT KEEL ROLLER LH MTG BRKT
5	4107774	1	HL AFT KEEL ROLLERRH MTG BRKT
6	4107783	1	HL FORE KEEL ROLLER LH MTG BRKT
7	4107784	2	HL FORE KEEL ROLLER RH MTG BRKT
8	4107795	2	HL 506K KEEL ROLLER SHAFT
9	4107793	2	HL FORE KEEL ROLLER MTG FLAT
10	7641304	1	FORE ROLLER 3-1/4 X 12"
11	7641208	2	AFT ROLLER UHMW 2-1/2 DIA X 6
12	3606921	3	2-HOLE PLATE 3"
	4107360	1	HL5-6K FORE & AFT KEEL ROLLER BAG OF BOLTS consisting of:
A	5893501	4	PIN COTTER 1/8 X 1
B	5895900	4	BOLT U SQ 3/8 X 3-1/8 X 6-1/2
C	5896262	10	HHCS 3/8-16 X 4-1/2 SS
D	5896406	18	WASHER FLAT SAE 3/8 SS
E	5806243	18	WASHER SPLIT LOCK 3/8 SS
F	5896377	18	NUT HEX 3/8-16 SS
G	5896414	4	WASHERFLAT SAE 5/8 SS

4107198 HL7K Fore & Aft Keel Roller Kit

REF #	PART #	QTY	DESCRIPTION
1	4107580	1	HL FORE KEEL ROLLER CROSS TUBE WELDMENT
	4107249	1	HL7K FORE&AFT KEEL ROLLERCOP includes the following:
3	3617784	2	VL CRADLE HEAD
4	4107762	1	HL AFT KEEL ROLLER LH MTG BRKT
5	4107774	1	HL AFT KEEL ROLLERRH MTG BRKT
6	4107783	1	HL FORE KEEL ROLLER LH MTG BRKT
7	4107784	2	HL FORE KEEL ROLLER RH MTG BRKT
8	4107795	2	HL 506K KEEL ROLLER SHAFT
9	4107793	2	HL FORE KEEL ROLLER MTG FLAT

10	7641304	1	FORE ROLLER 3-1/4 X 12"
11	7641208	2	AFT ROLLER UHMW 2-1/2 DIA X 6
12	3606921	3	2-HOLE PLATE 3"
	4107366	1	HL7K FORE & AFT KEEL ROLLER BAG OF BOLTS consisting of:
A	5893501	4	PIN COTTER 1/8 X 1
B	5895901	4	BOLT U SQ 3/8 X 3-1/8 X 8-1/2
C	5896262	10	HHCS 3/8-16 X 4-1/2 SS
D	5896406	18	WASHER FLAT SAE 3/8 SS
E	5806243	18	WASHER SPLIT LOCK 3/8 SS
F	5896377	18	NUT HEX 3/8-16 SS
G	5896414	4	WASHERFLAT SAE 5/8 SS