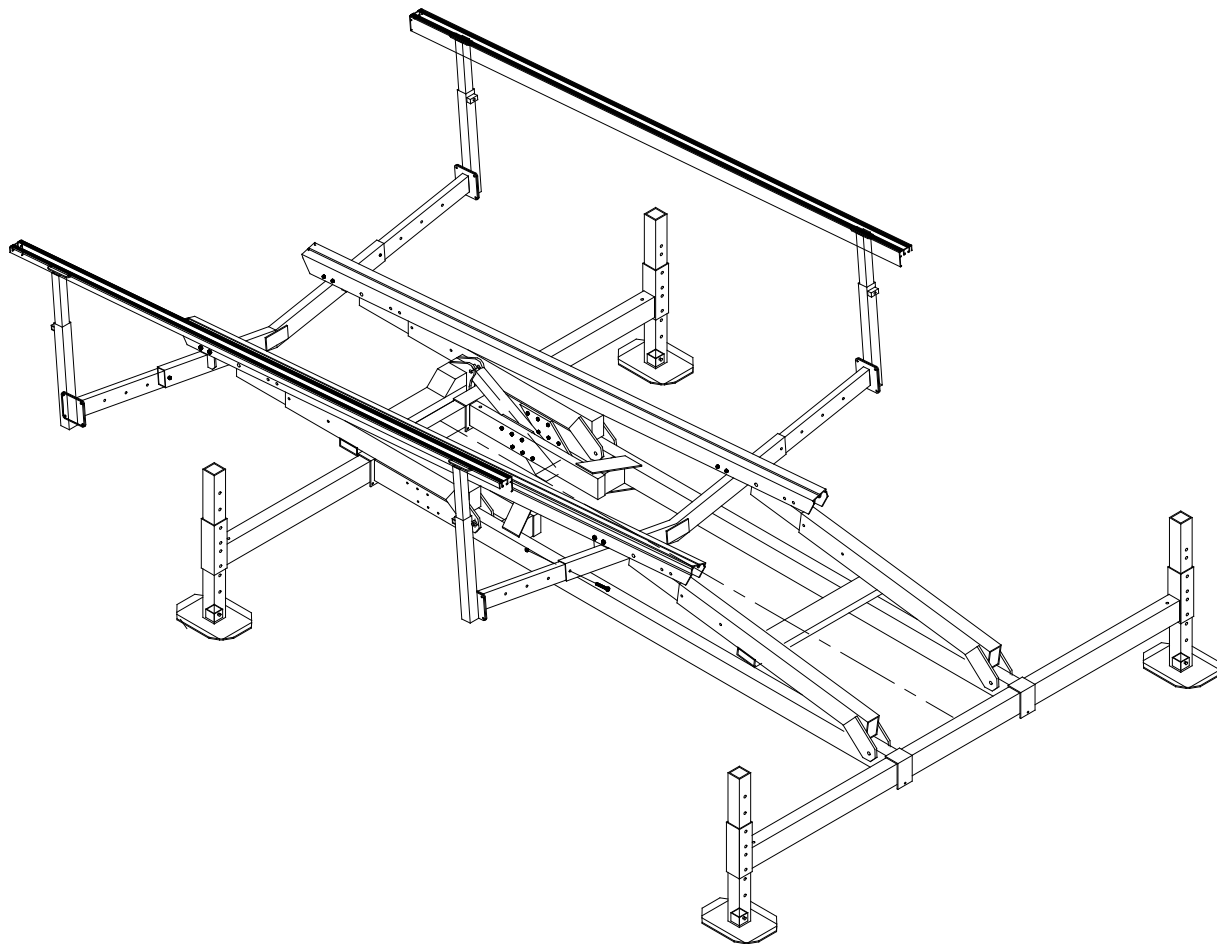




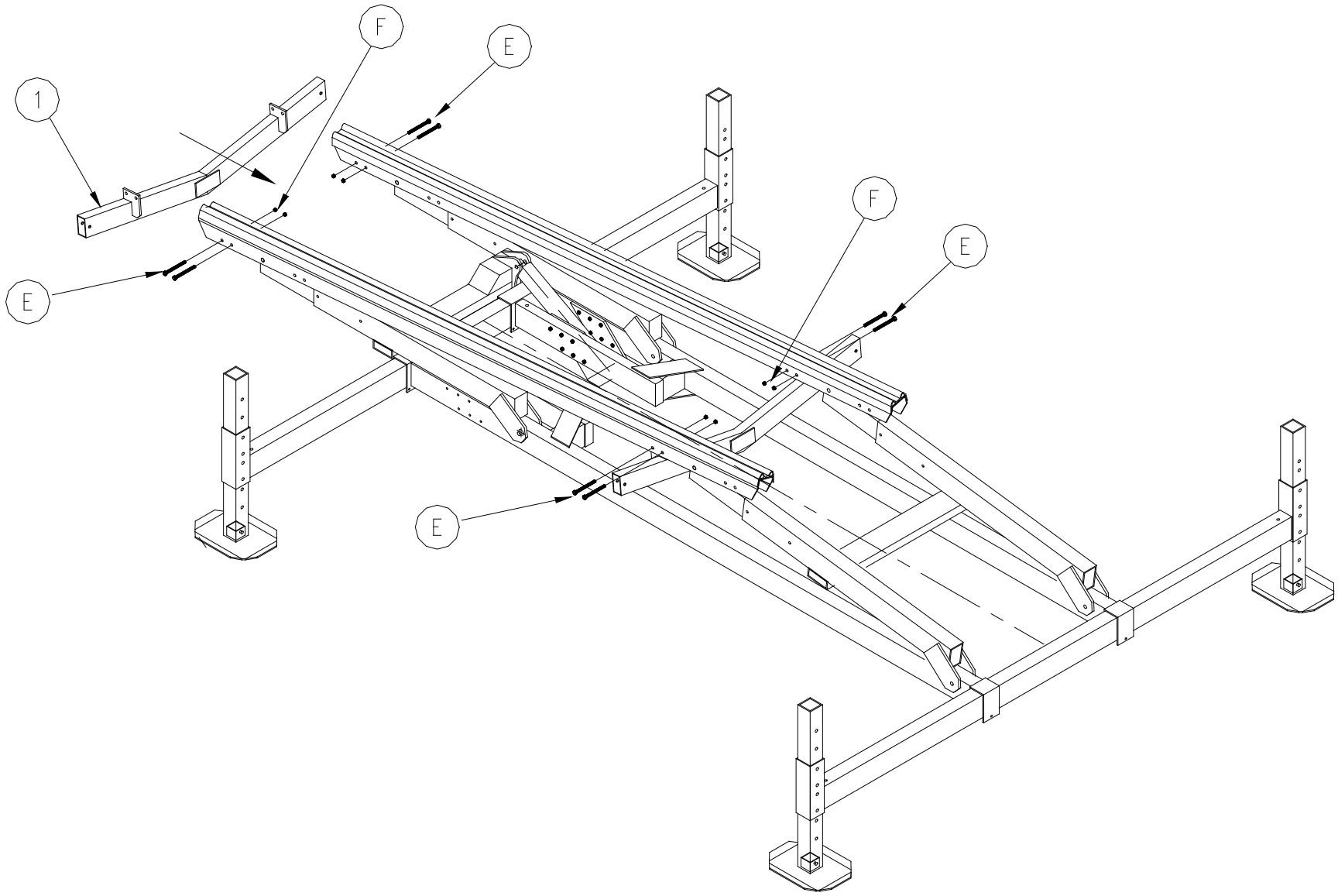
HL GUIDE ON INSTRUCTIONS



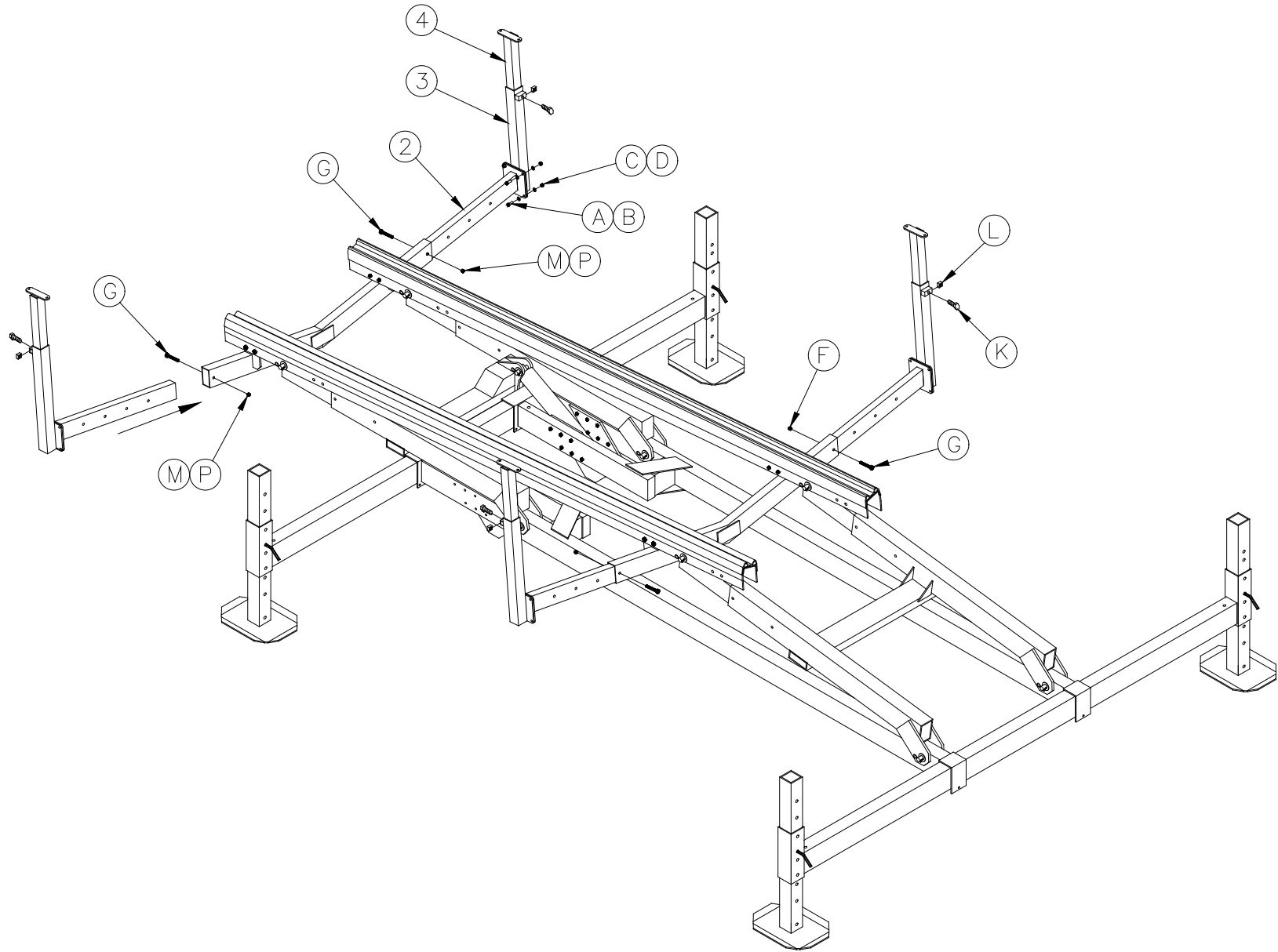
REIMANN & GEORGER CORPORATION
MARINE PRODUCTS
P/N 6114156

BUFFALO, NY
02/25/16

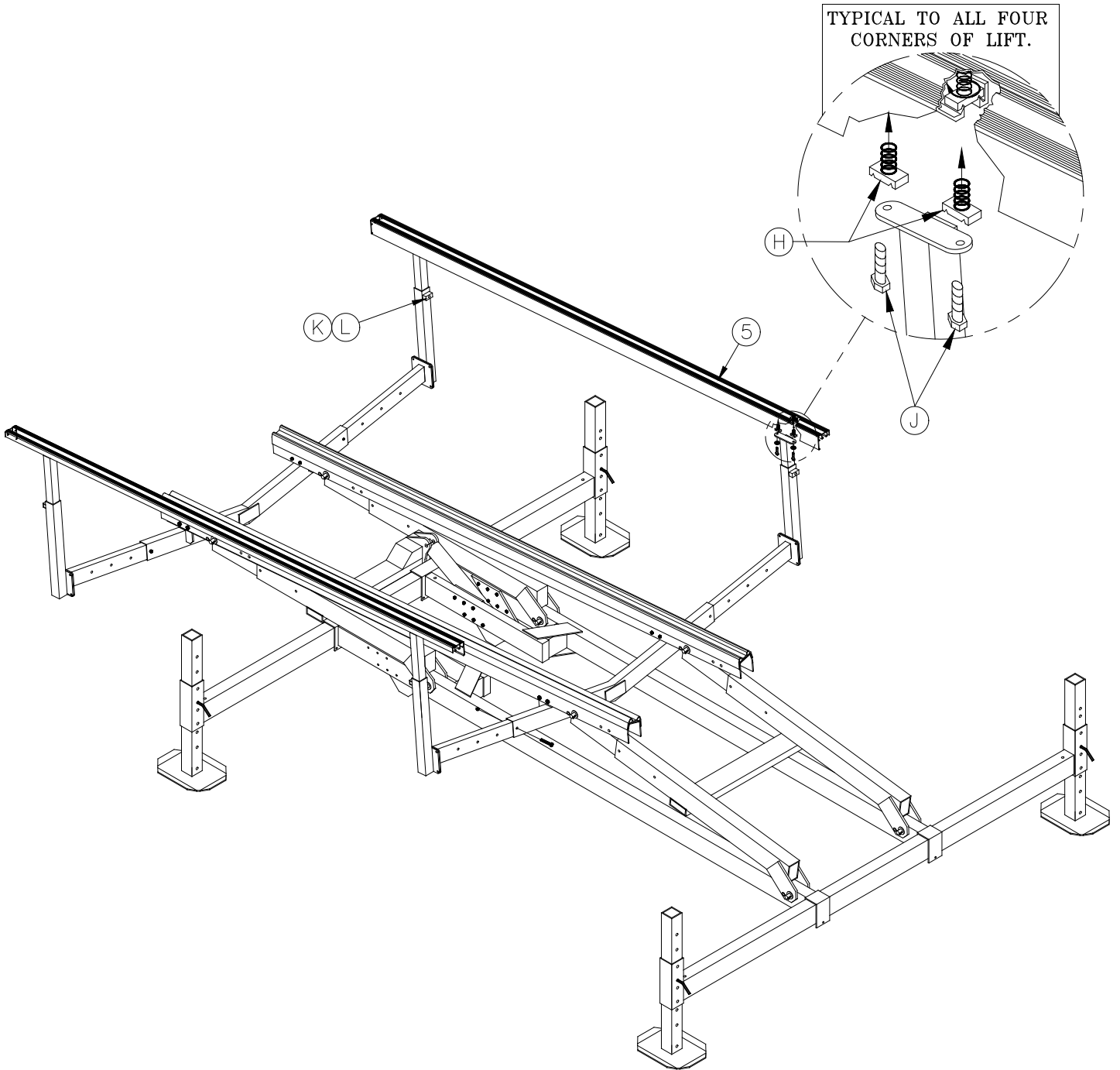
STEP 1



STEP 2



STEP 3



HL GUIDE ON PARTS LIST

Each reference number or letter in the following parts lists can be matched with the reference number or letter referred to in the illustrations of the instruction manual.

HL GUIDE ON 3-4K BUNDLE

REF #	PART #	QTY	DESCRIPTION
1	4107557	2	HL GUIDE ON SUPPORT FRAME

HL GUIDE ON 5-7K BUNDLE

REF #	PART #	QTY	DESCRIPTION
1	4107528	2	HL GUIDE ON SUPPORT FRAME

HL GUIDE ON 9K BUNDLE

REF #	PART #	QTY	DESCRIPTION
1	4107585	2	HL GUIDE ON SUPPORT FRAME

ALUMINUM/WOOD BUNK BUNDLE

REF #	PART #	QTY	DESCRIPTION
5	3600299	2	GUIDE ON WOOD/AL 12FT

ALUMINUM/VINYL BUNK BUNDLE

REF #	PART #	QTY	DESCRIPTION
5	3636425	2	GUIDE ON VINYL/AL 138"

HL GUIDE ON 5K-9K Carton of Parts

REF #	PART #	QTY	DESCRIPTION
2	4107525	4	HL GUIDE ON ADJUSTABLE SUPPORT ARM
3	4107522	4	HL GUIDE ON HD SUPPORT BASE TUBE ASSEMBLY
4	4100507	4	HL GUIDE ON UPPER TUBE ASSEMBLY
	4107309	1	GUIDE ON BAG OF BOLTS
			consisting of:
A	5896247	16	3/8 X 1 HEX HEAD CAP SCREW
B	5896406	16	3/8 SAE FLAT WASHER
C	5806243	16	3/8 SPLIT LOCK WASHER
D	5840104	16	3/8 HEX NUT ALUM
E	5896294	8	1/2 X 5 HEX HEAD CAP SCREW
F	5836107	8	1/2 NYLOCK HEX NUT ALUM
G	5896288	4	1/2 X 3 HEX HEAD CAP SCREW
H	5805898	8	3/8 SPRING NUT
J	5896248	8	3/8 X 1-1/4 HEX HEAD CAP SCREW
K	5896282	4	1/2 X 1-1/2 HEX HEAD CAP SCREW
L	5840105	4	1/2 SQUARE NUT ALUM
M	5803612	4	1/2-13 HEX SILICONE BRONZE NUT
P	5806244	4	1/2 SPLIT LOCK WASHER