



HVL & VL ALUM/VINYL BUNK INSTRUCTIONS

(Applies to P/Ns 3620104, 3636005, 3636030, 3650315,
3650340, 3636015, 3636035, 3680365, 3636020)

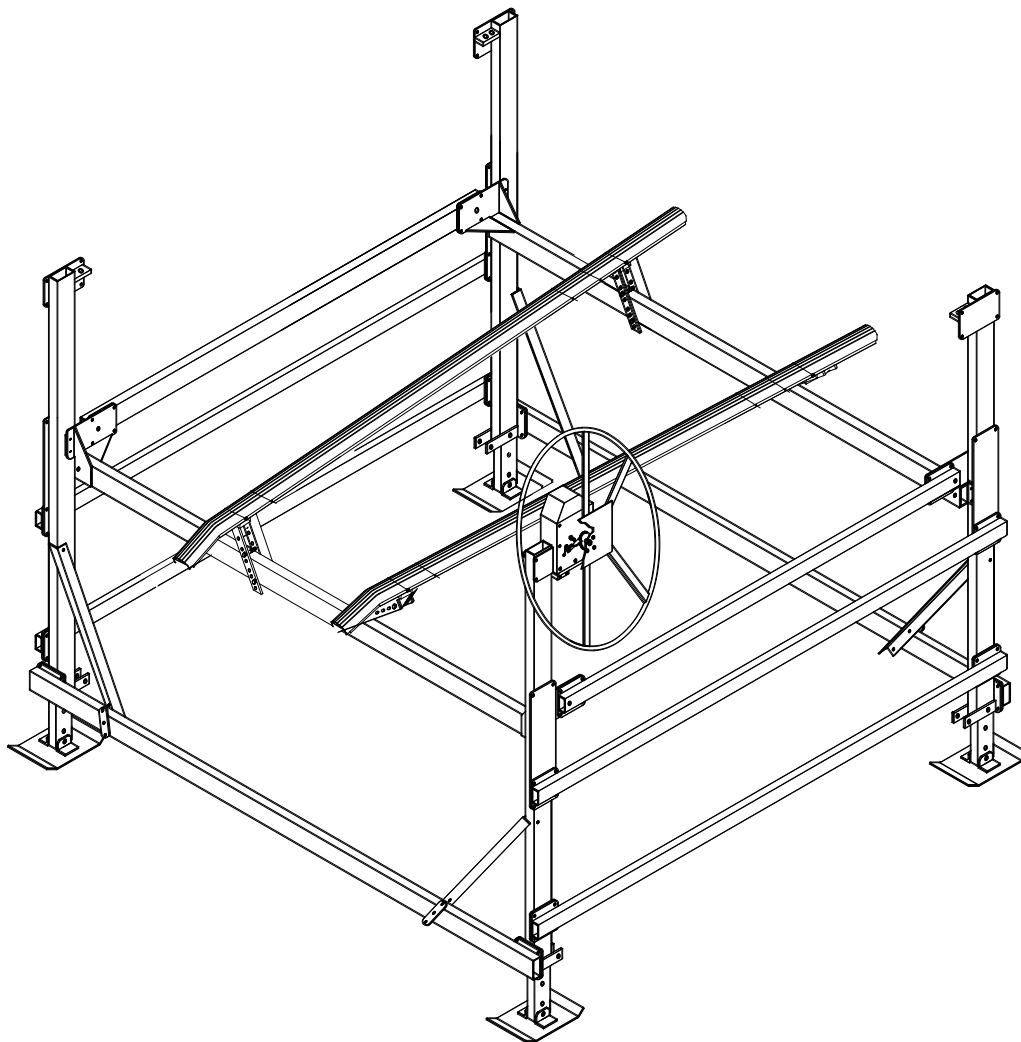


TABLE OF CONTENTS

CHAPTER	TITLE	PAGE
1	INSTALLATION.....	1
1.1	Bunk Layout	1
1.2	Pivot Block Installation	1
1.3	Bunk Installation.....	3
2	PARTS LISTS.....	7
2.1	VL2K Bunk Kit	7
2.1.1	VL2K Bunk Bundle.....	7
2.1.2	VL1.6K – VL4.5K & HVL4K Carton of Parts.....	7
2.2	VL1.6K – VL4.5K & HVL4K Bunk Kit	7
2.2.1	VL1.6K – VL8K & HVL4K – HVL7K Common Bunk Bundle	7
2.2.2	VL1.6K – VL4.5K & HVL4K Carton of Parts (see 2.1.2).....	7
2.3	VL1.6K – VL4.5K & HVL4K TALL Bunk Kit	8
2.3.1	VL1.6K – VL8K & HVL4K – HVL7K Common Bunk Bundle (see 2.2.1)	7
2.3.2	VL1.6K – VL4.5K & HVL4K TALL Carton of Parts	8
2.4	VL5K (3x5 load tubes) & VL6K09 Bunk Kit	8
2.4.1	VL1.6K – VL8K & HVL4K – HVL7K Common Bunk Bundle (see 2.2.1)	7
2.4.2	VL5K (3x5 load tubes) VL6K09 & HVL5K Carton of Parts	8
2.5	VL5K (3x5 load tubes) VL6K09 & HVL5K TALL Bunk Kit	9
2.5.1	VL1.6K – VL8K & HVL4K – HVL7K Common Bunk Bundle (see 2.2.1)	7
2.5.2	VL5K (3x5 load tubes) VL6K09 & HVL5K TALL Carton of Parts	9
2.6	VL5KSR09 (single reeved) Bunk Kit.....	9
2.6.1	VL1.6K – VL8K & HVL4K – HVL7K Common Bunk Bundle (see 2.2.1)	7
2.6.2	VL5KSR09 Carton of Parts	9
2.7	VL5KSR09 (single reeved) TALL Bunk Kit	10
2.7.1	VL1.6K – VL8K & HVL4K – HVL7K Common Bunk Bundle (see 2.2.1)	7
2.7.2	VL5KSR09 TALL Carton of Parts	10
2.8	VL7K & HVL7K DOUBLE Bunk Kit	10
2.8.1	VL1.6K – VL8K & HVL4K – HVL7K Common Bunk Bundle (see 2.2.1) (2 Bundles).....	7
2.8.2	VL7K & HVL7K DOUBLE Bunk Carton of Parts	10
2.9	VL8K DOUBLE Bunk Kit	11
2.9.1	VL1.6K – VL8K & HVL4K – HVL7K Common Bunk Bundle (see 2.2.1) (2 Bundles).....	7
2.9.2	VL8K DOUBLE Bunk Carton of Parts	11

LIST OF FIGURES

FIGURE	TITLE	PAGE
1-1	Bunk Mounting Hole Layout.....	1
1-2	VL1.6K – VL3.5K Pivot Block Assembly.....	1
1-3	HVL4K , VL4K VL4.5K, VL5KSR09 Pivot Block Assembly.....	2
1-4	HVL5K , VL5K (3x5 load tube), VL6K09 & VL8K Pivot Block Assembly.....	2
1-5	HVL7K , VL7K Pivot Block Assembly.....	3
1-6	HVL4K , VL1.6K - VL4.5K, VL5KSR09 Bunk Assembly.....	3
1-7	HVL5K , VL5K – VL6K09 Bunk Assembly.....	4
1-8	HVL7K , VL7K Bunk Assembly.....	5
1-9	VL8K Bunk Assembly.....	6

1 INSTALLATION

HVL & VL ALUMINUM / VINYL BUNKS

1.1 STEP #1 BUNK LAYOUT

The aluminum/vinyl bunk has five mounting holes to fit onto VL1.6K to VL8K lifts, and HVL4K to HVL7K lifts. Measure distance between front and rear load tubes. See figure 3-1 for corresponding mounting hole layouts.

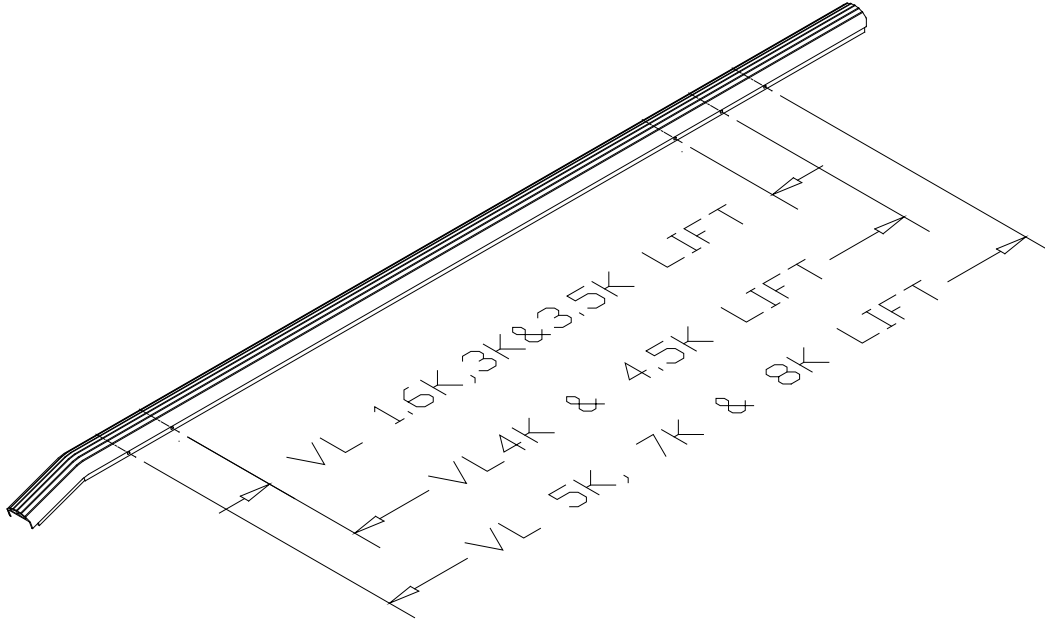


Figure 1-1
Alum/Vinyl Bunk Mounting Hole Layout

1.2 STEP #2 PIVOT BLOCK INSTALLATION

Mounting the Pivot blocks onto the alum/vinyl bunk. See figure 3-2.

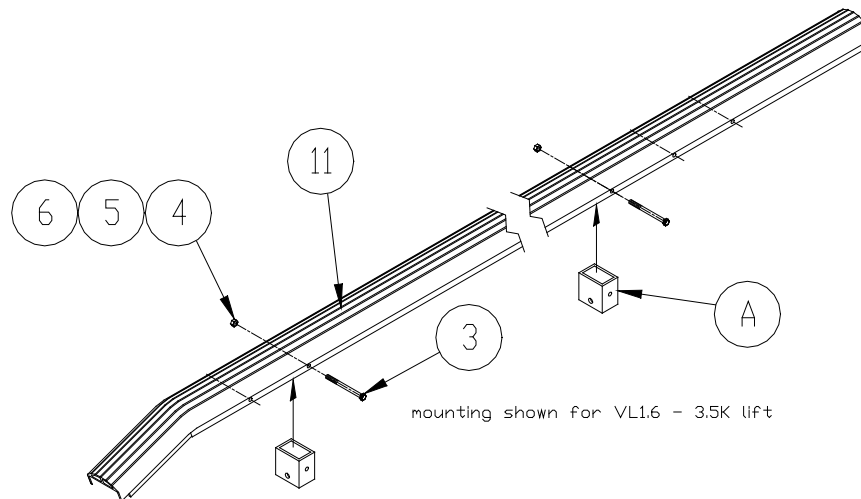


Figure 1-2
VL1.6K - 3.5K Alum/Vinyl Bunk

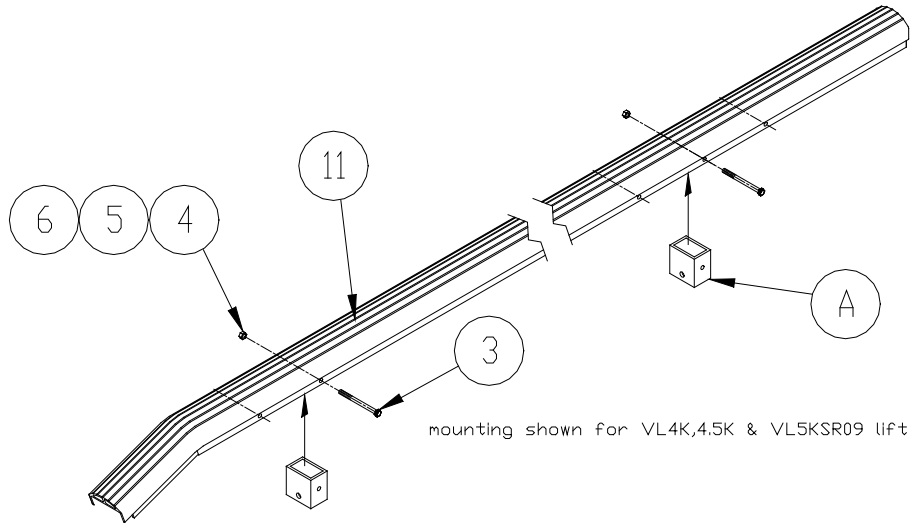


Figure 1-3
HVL4K, VL4K, VL4.5K & VL5KSR09 Alum/Vinyl Bunk

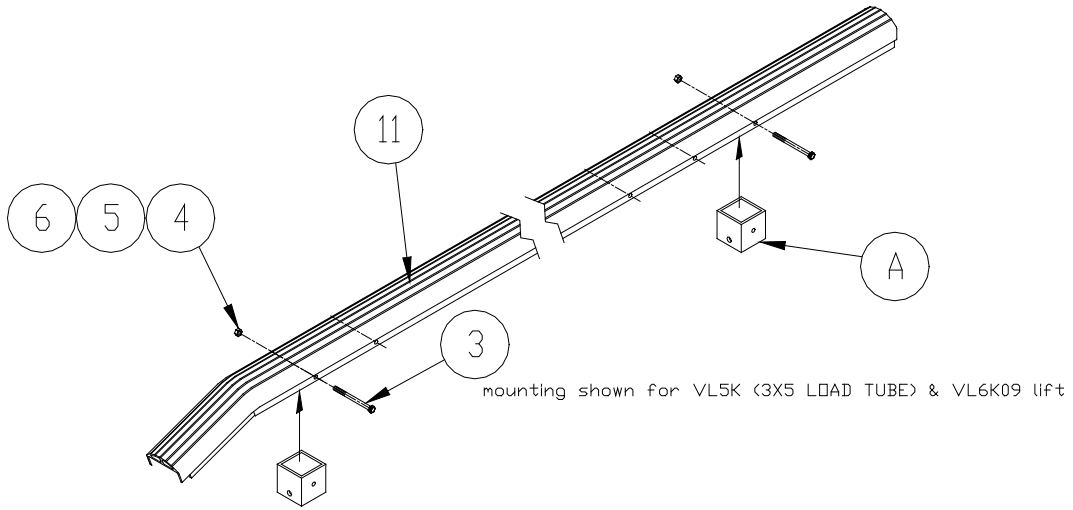


Figure 1-4
HVL5K, VL5K (3x5 load tube), VL6K09 & VL8K Alum/Vinyl Bunk

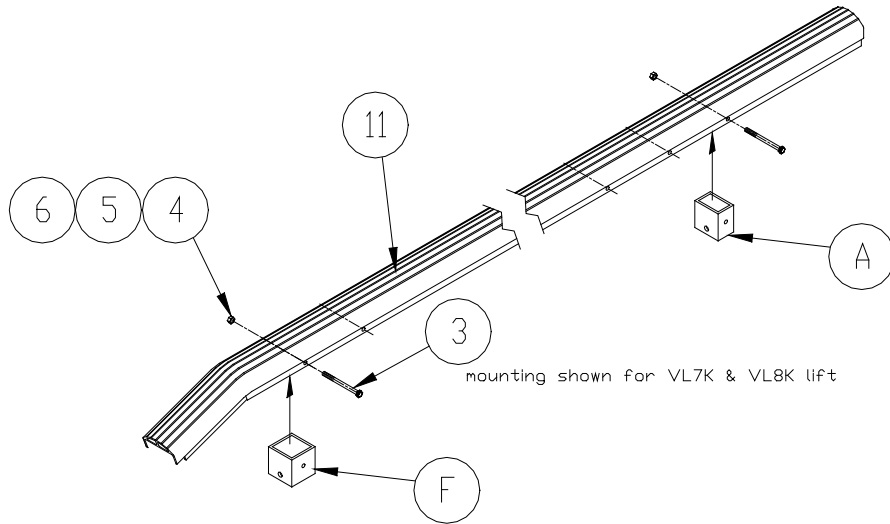


Figure 1-5
HVL7K / VL7K Alum/Vinyl Bunk

1.3 STEP #3 ALUMINUM / VINYL BUNK INSTALLATION

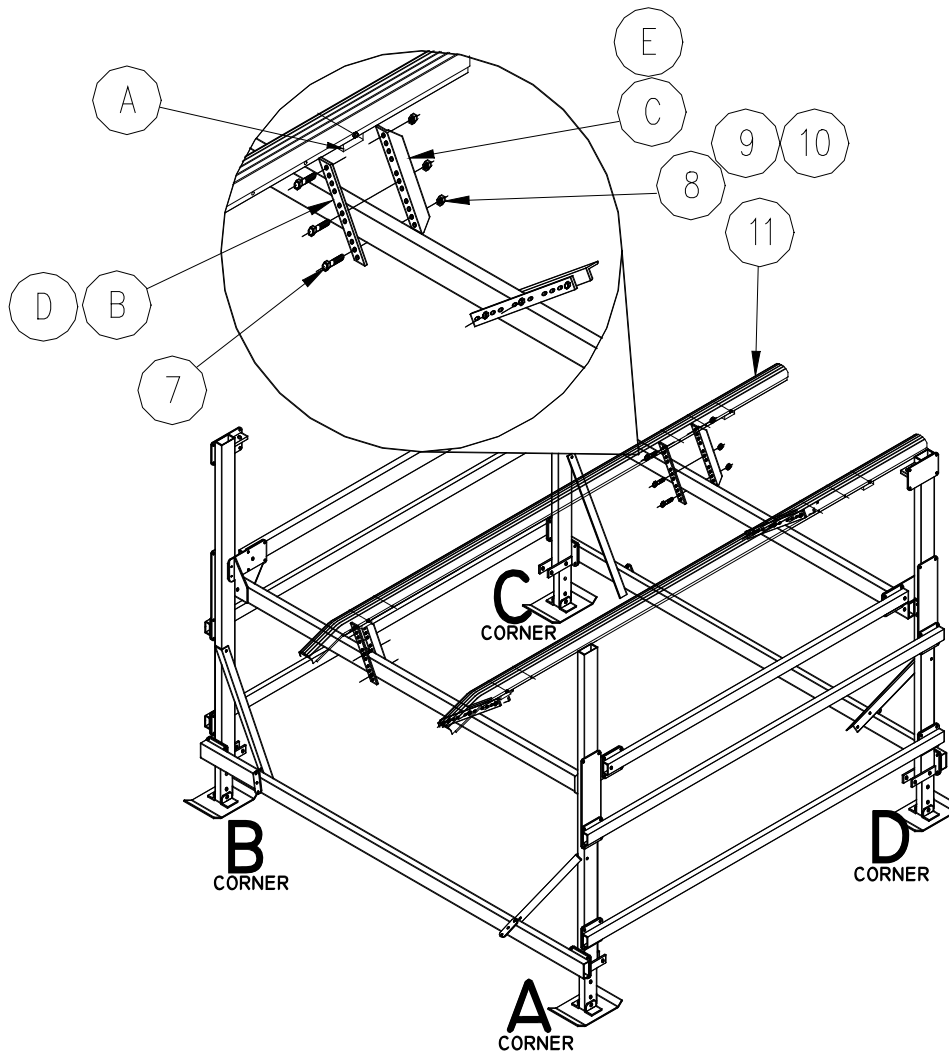


Figure 1-6
HVL4K, VL1.6K - VL4.5K & VL5KSR09 Alum/Vinyl Bunk Assembly

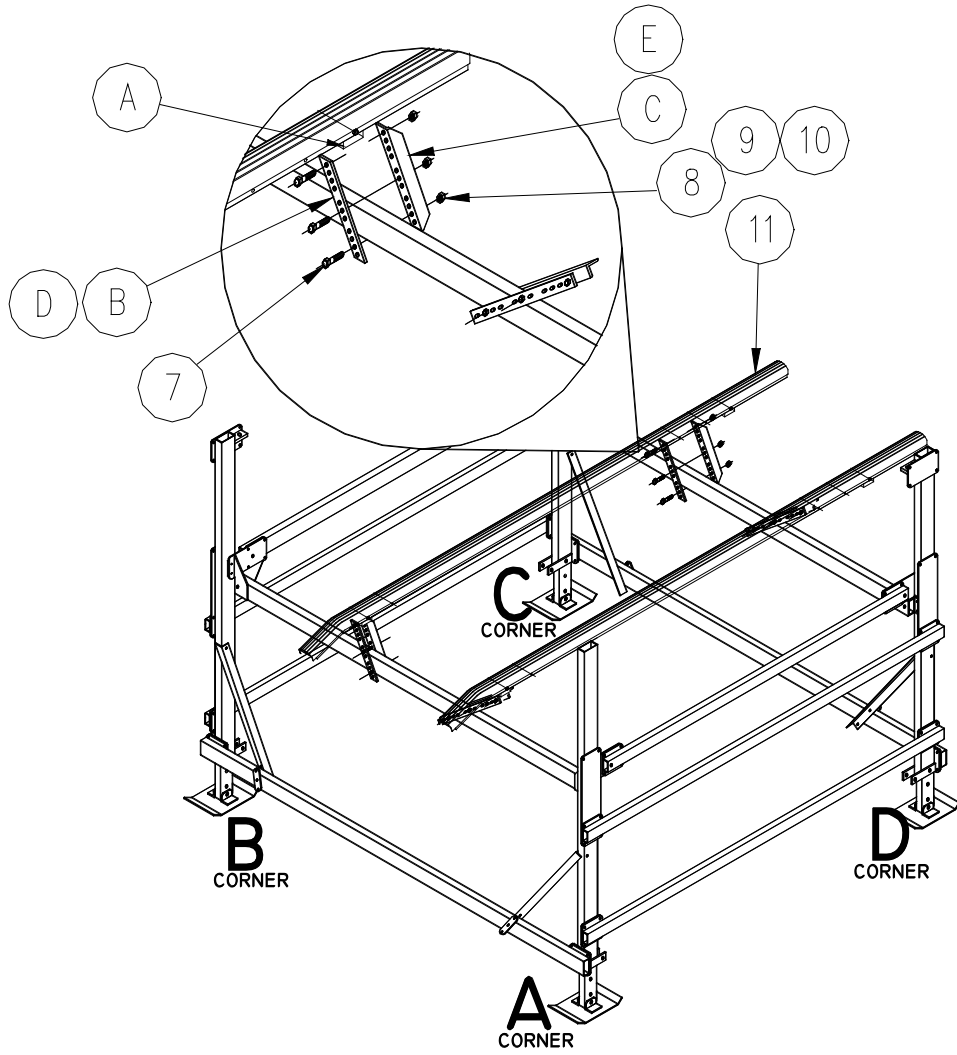


Figure 1-7
HVL5K, VL5K – VL6K09 Alum/Vinyl Bunk Assembly

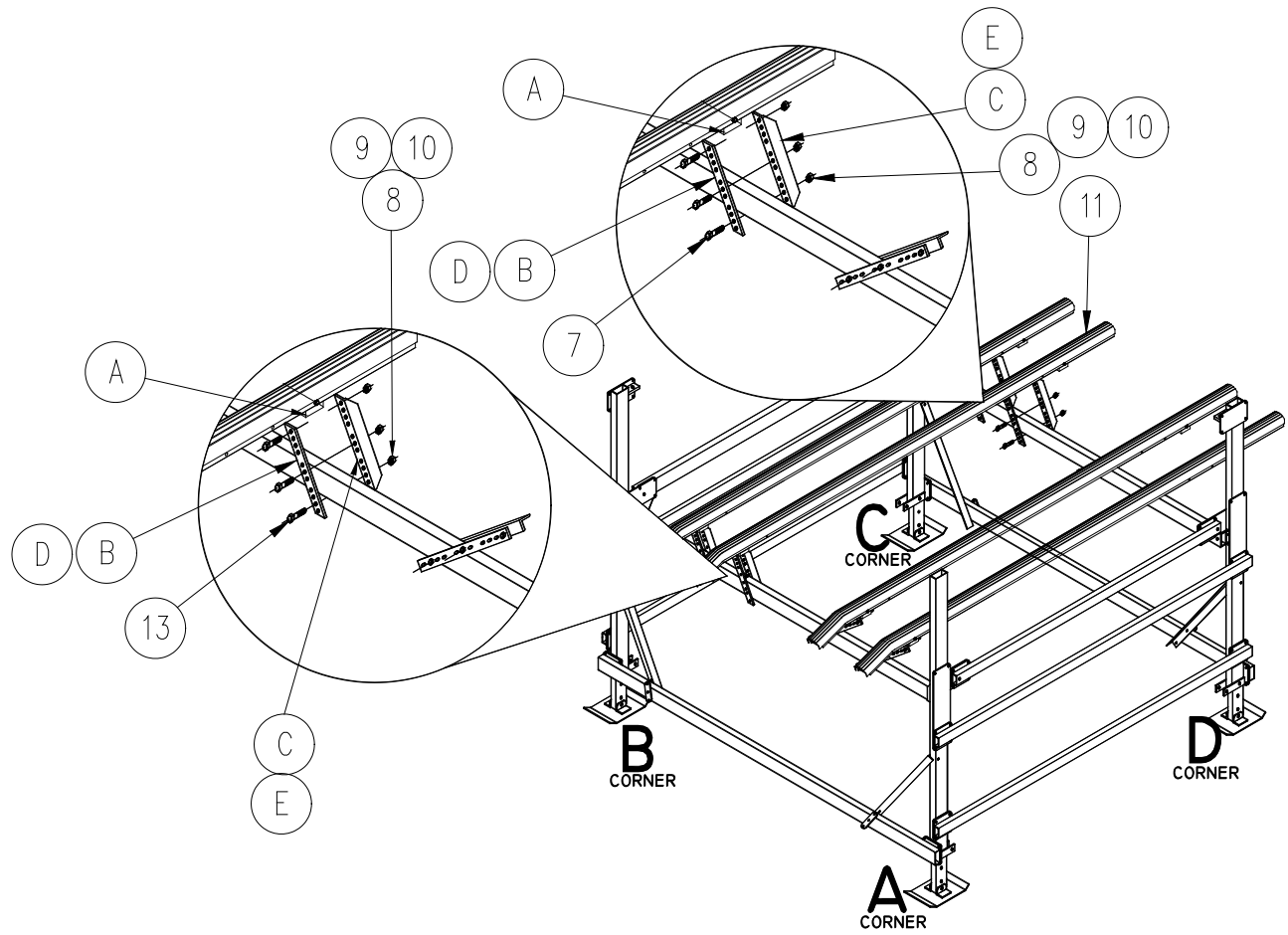


Figure 1-8
HVL7K, VL7K Alum/Vinyl Bunk Assembly

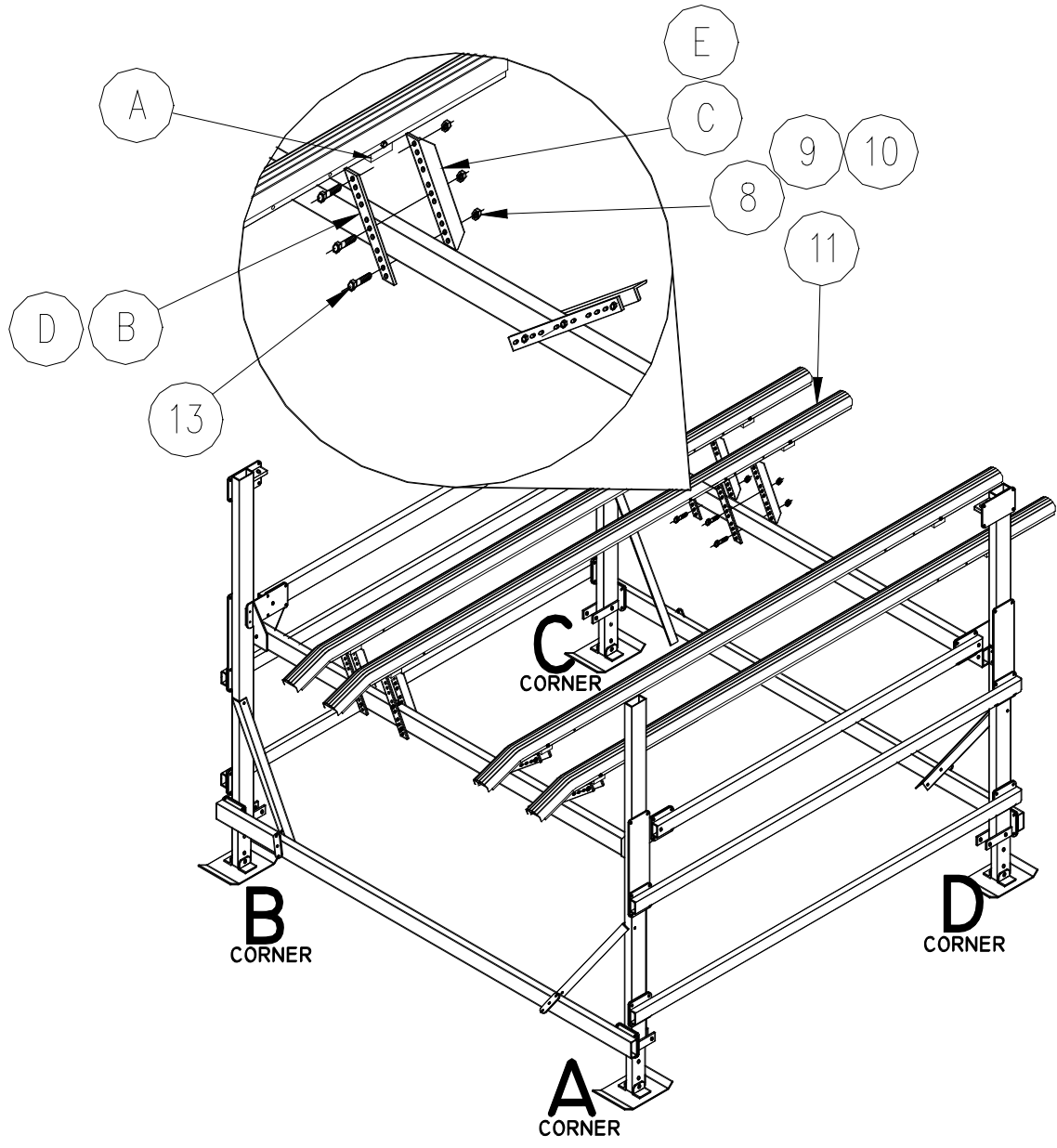


Figure 1-9
VL8K Alum/Vinyl Bunk Assembly

2 HVL & VL ALUM / VINYL BUNK PARTS LIST

Each reference number or letter in the following parts lists can be matched with the reference number or letter referred to in the illustrations of the instruction manual.



WARNING:

FAILURE TO APPLY A SUITABLE LUBRICANT TO THE MATING SURFACES OF STAINLESS STEEL THREADED FASTENERS MAY CAUSE GALLING AND/OR SEIZING OF ASSEMBLY.

2.1 #3620104 VL2K ALUM/VINYL BUNK KIT

2.1.1 #3629103 VL2K Alum/Vinyl Bunk Bundle

REF #	PART #	QTY	DESCRIPTION
11	3629425	2	VL2K ALUMINUM/ VINYL BUNK ASSY

2.1.2 #3636204 VL1.6-4.5K & HVL4K Alum/Vinyl Bunk Carton of Parts

REF #	PART #	QTY	DESCRIPTION
A	3636608	4	ALUM BUNK 2" PIVOT MOUNT TUBE
B	3603937	4	VL CRADLE BRACKET FLAT 15-7/8"
C	3603938	4	CRADLE BRACKET ANGLE 15-7/8"
	3636306	1	VL1.6-4.5K ALUM/VINYL BUNK S.S. Bag of Bolts consisting of:
3	5896262	4	3/8-16 x 4-1/2" HHCS
4	5896406	4	3/8 WASHER SAE
5	5806243	4	3/8 WASHER SPLIT LOCK
6	5840104	4	3/8-16 HEX NUT ALUM
7	5896290	12	1/2-13 x 3-1/2" HHCS
8	5896400	12	1/2 WASHER SAE
9	5806244	12	1/2 WASHER SPLIT LOCK
10	5803612	12	1/2-13 NUT HEX -SILICON BRONZE

2.2 #3636005 VL1.6-4.5K / HVL4K ALUM / VINYL BUNK KIT – (STD)

2.2.1 #3636108 VL1.6K – VL8K & HVL4K – HVL7K Alum/Vinyl Common Bunk Bundle

REF #	PART #	QTY	DESCRIPTION
11	3636405	2	VL 1.6K - 8K / HVL4-7K ALUM / VINYL BUNK ASSY

2.2.2 #3636204 VL1.6K-VL4.5K & HVL4K Alum/Vinyl Bunk Carton of Parts (see 2.1.2)

2.3 #3636030 VL1.6-4.5K / HVL4K ALUM / VINYL BUNK KIT – (TALL)

2.3.1 Alum/Vinyl Common Bunk Bundle (see 2.2.1)

2.3.2 #3636216 VL1.6-4.5K & HVL4K Alum/Vinyl Bunk – (TALL) Carton of Parts

REF #	PART #	QTY	DESCRIPTION
A	3636608	4	ALUM BUNK 2” PIVOT MOUNT TUBE
D	3693701	4	VL CRADLE BRACKET FLAT 22-3/8”
E	3693801	4	CRADLE BRACKET ANGLE 22-3/8”
	3636306	1	VL1.6-4.5K ALUM/VINYL BUNK S.S. Bag of Bolts consisting of:
3	5896262	4	3/8-16 x 4-1/2” HHCS
4	5896406	4	3/8 WASHER SAE
5	5806243	4	3/8 WASHER SPLIT LOCK
6	5840104	4	3/8-16 HEX NUT ALUM
7	5896290	12	1/2-13 x 3-1/2” HHCS
8	5896400	12	1/2 WASHER SAE
9	5806244	12	1/2 WASHER SPLIT LOCK
10	5803612	12	1/2-13 NUT HEX –SILICON BRONZE

2.4 #3636015 VL5K (with 3x5 load tubes) & VL6K09 ALUM/VINYL BUNK KIT

2.4.1 Alum/Vinyl Common Bunk Bundle (see 2.2.1)

2.4.2 #3636208 VL5K (3x5 load tubes) & VL6K09 Alum/Vinyl Bunk Carton of Parts

REF #	PART #	QTY	DESCRIPTION
F	3636612	4	ALUM BUNK 3” PIVOT MOUNT TUBE
C	3603938	8	CRADLE BRACKET ANGLE 15-7/8”
	3636312	1	VL5K(with 3x5 load tubes) & VL6K09 ALUM/VINYL BUNK S.S. Bag of Bolts consisting of:
3	5896262	4	3/8-16 x 4-1/2” HHCS
4	5896406	4	3/8 WASHER SAE
5	5806243	4	3/8 WASHER SPLIT LOCK
6	5840104	4	3/8-16 HEX NUT ALUM
13	5896293	12	1/2-13 x 4-1/2” HHCS
8	5896400	12	1/2 WASHER SAE
9	5806244	12	1/2 WASHER SPLIT LOCK
10	5803612	12	1/2-13 NUT HEX –SILICON BRONZE

2.5 #3636035 VL5K (with 3x5 load tube) , VL6K09 & HVL5K ALUM/VINYL BUNK KIT –(TALL)

2.5.1 Alum/Vinyl Common Bunk Bundle (see 2.2.1)

2.5.2 #3636220 VL5K (w/ 3x5 load tubes) , VL6K09 & HVL5K Alum/Vinyl Bunk Carton of Parts –(TALL)

REF #	PART #	QTY	DESCRIPTION
F	3636612	4	ALUM BUNK 3” PIVOT MOUNT TUBE
E	3693801	8	CRADLE BRACKET ANGLE 22-3/8”
	3636312	1	VL5K(with 3x5 load tubes) &6K09 ALUM/VINYL BUNK S.S. Bag of Bolts consisting of:
3	5896262	4	3/8-16 x 4-1/2” HHCS
4	5896406	4	3/8 WASHER SAE
5	5806243	4	3/8 WASHER SPLIT LOCK
6	5840104	4	3/8-16 HEX NUT ALUM
13	5896293	12	1/2-13 x 4-1/2” HHCS
8	5896400	12	1/2 WASHER SAE
9	5806244	12	1/2 WASHER SPLIT LOCK
10	5803612	12	1/2-13 NUT HEX –SILICON BRONZE

2.6 #3650315 VL5KSR09 ALUM/VINYL BUNK KIT (SINGLE REEVED)

2.6.1 Alum/Vinyl Common Bunk Bundle (see 2.2.1)

2.6.2 #3652214 VL5KSR09Alum/Vinyl Bunk Carton of Parts

REF #	PART #	QTY	DESCRIPTION
A	3636608	4	ALUM BUNK 2” PIVOT MOUNT TUBE
C	3603938	8	CRADLE BRACKET ANGLE 15-7/8”
	3652226	1	VL5KSR09 ALUM/VINYL BUNK S.S. Bag of Bolts consisting of:
3	5896262	4	3/8-16 x 4-1/2” HHCS
4	5896406	4	3/8 WASHER SAE
5	5806243	4	3/8 WASHER SPLIT LOCK
6	5840104	4	3/8-16 HEX NUT ALUM
13	5896290	12	1/2-13 x 3-1/2” HHCS
8	5896400	24	1/2 WASHER SAE
9	5806244	12	1/2 WASHER SPLIT LOCK
10	5803612	12	1/2-13 NUT HEX –SILICON BRONZE

2.7 #3650340 VL5KSR09 ALUM/VINYL BUNK KIT – (TALL) (SINGLE REEVED)

2.7.1 Alum/Vinyl Common Bunk Bundle (see 2.2.1) (2 BUNDLES)

2.7.2 #3652218 VL5KSR09 Alum/Vinyl Bunk Carton of Parts –(TALL)

REF #	PART #	QTY	DESCRIPTION
A	3636608	4	ALUM BUNK 2” PIVOT MOUNT TUBE
E	3693801	8	CRADLE BRACKET ANGLE 22-3/8”
	3652226	1	VL5KSR09 ALUM/VINYL BUNK S.S. Bag of Bolts consisting of:
3	5896262	4	3/8-16 x 4-1/2” HHCS
4	5896406	4	3/8 WASHER SAE
5	5806243	4	3/8 WASHER SPLIT LOCK
6	5840104	4	3/8-16 HEX NUT ALUM
13	5896290	12	1/2-13 x 3-1/2” HHCS
8	5896400	24	1/2 WASHER SAE
9	5806244	12	1/2 WASHER SPLIT LOCK
10	5803612	12	1/2-13 NUT HEX –SILICON BRONZE

2.8 #3636020 VL7K & HVL7K ALUM/VINYL (DOUBLE) BUNK KIT

2.8.1 Alum/Vinyl Common Bunk Bundle (see 2.2.1) (2 BUNDLES)

2.8.2 #3636212 VL7K & HVL7K Alum/Vinyl (DOUBLE) Bunk Carton of Parts

REF #	PART #	QTY	DESCRIPTION
F	3636612	4	ALUM BUNK 3” PIVOT MOUNT TUBE
A	3636608	4	ALUM BUNK 2” PIVOT MOUNT TUBE
E	3693801	8	CRADLE BRACKET ANGLE 22-3/8”
C	3603938	8	CRADLE BRACKET ANGLE 15-7/8”
	3636318	1	VL7K ALUM/VINYL (DBL) BUNK S.S. Bag of Bolts consisting of:
3	5896262	8	3/8-16 x 4-1/2” HHCS
4	5896406	8	3/8 WASHER SAE
5	5806243	8	3/8 WASHER SPLIT LOCK
6	5840104	8	3/8-16 HEX NUT ALUM
13	5896293	12	1/2-13 x 4-1/2” HHCS
7	5896290	12	1/2-13 x 3-1/2” HHCS
8	5896400	24	1/2 WASHER SAE
9	5806244	24	1/2 WASHER SPLIT LOCK
10	5803612	24	1/2-13 NUT HEX –SILICON BRONZE

2.9 #3680365 VL8K ALUM/VINYL (DOUBLE) BUNK KIT

2.9.1 Alum/Vinyl Common Bunk Bundle (see 2.2.1) (2 BUNDLES)

2.9.2 #3688118 VL8K Alum/Vinyl (DOUBLE) Bunk Carton of Parts

REF #	PART #	QTY	DESCRIPTION
F	3636612	8	ALUM BUNK 3" PIVOT MOUNT TUBE
E	3693801	8	CRADLE BRACKET ANGLE 22-3/8"
C	3603938	8	CRADLE BRACKET ANGLE 15-7/8"
	3688130	1	VL8K ALUM/VINYL (DBL) BUNK S.S. Bag of Bolts consisting of:
3	5896262	8	3/8-16 x 4-1/2" HHCS
4	5896406	8	3/8 WASHER SAE
5	5806243	8	3/8 WASHER SPLIT LOCK
6	5840104	8	3/8-16 HEX NUT ALUM
13	5896293	24	1/2-13 x 4-1/2" HHCS
8	5896400	24	1/2 WASHER SAE
9	5806244	24	1/2 WASHER SPLIT LOCK
10	5803612	24	1/2-13 NUT HEX -SILICON BRONZE