



## INTRODUCING OUR NEW *FLEX* HYDRAULIC LIFT

NOW ADJUSTABLE FOR A PERFECTLY TAILORED FIT



### FINE-TUNE YOUR FIT

Boat hulls come in all shapes and sizes and now your boat lift can adapt to accommodate these varying boat widths. The HL-FLEX features adjustable width bunks so your lift can be fine-tuned for a customized fit. The lateral position of the frame can also be adjusted to optimize the position of your lift in relation to your dock.



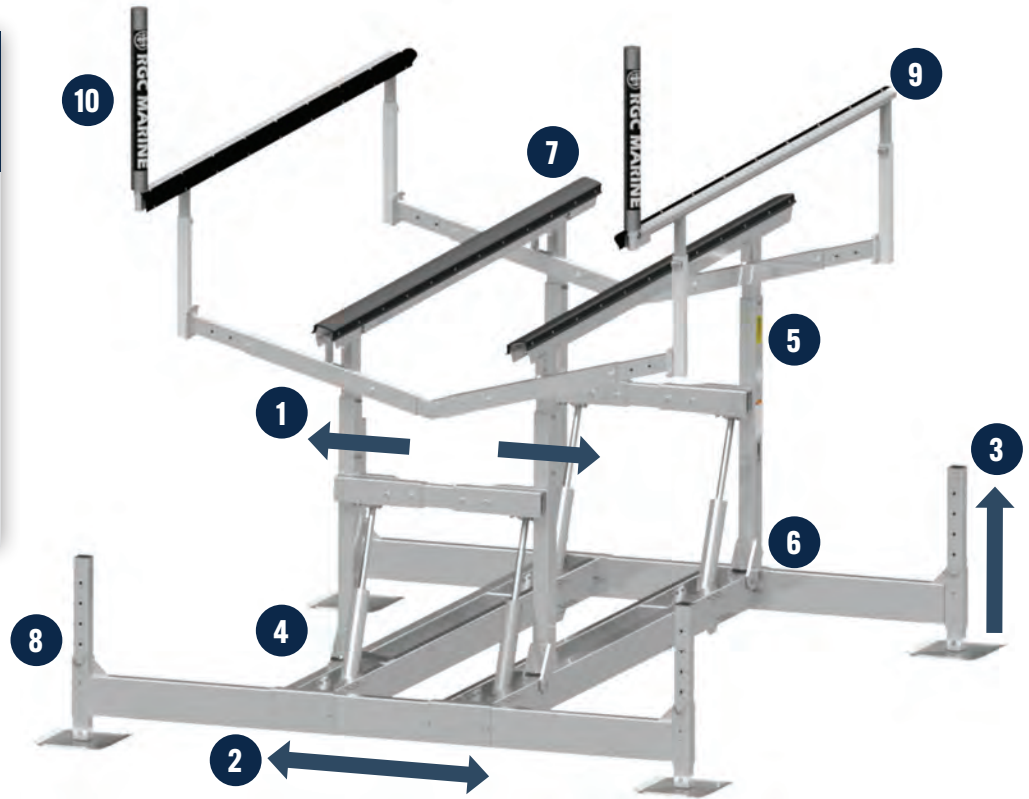
# ***BUILT TO LAST***



## HI-FLEX FEATURES

### THE RIGHT FIT FOR YOUR BOAT

- 1 ADJUSTABLE WIDTH BUNKS**  
Fine-tune the width of your boat lift to get a custom fit of your boat hull.
- 2 LATERAL ADJUSTMENT**  
Optimize the distance of your lift in relation to your dock.
- 3 HEIGHT ADJUSTMENT**  
Get the right height for your water depth with our Adjustable Extension Legs and Deep Water Extension Legs.



- 4 NEW! HYDRAULIC CYLINDERS**  
RGC hydraulic cylinders are built with chrome plated stainless-steel shafts and stainless-steel fittings to resist corrosion. Metal scrapers remove zebra mussels to prevent build up and damage and improve seal life. These upgraded cylinders come standard on all HL-FLEX lifts.

- 5 ALUMINUM FRAMES**  
Sturdy marine-grade aluminum is thicker than competitor frames to provide superior strength and wear that can stand up to the harshest marine elements. Welded frame construction requires less maintenance with fewer moving parts and less hardware to be tightened.

- 6 LIFT ARM PIVOTS**  
Pivot points are reinforced with welded bushings to reduce wear, provide excellent reliability and withstand harsh conditions better than the competition.

- 7 ALUMINUM VINYL BUNKS** Cushion and protect your boat with stain and fade resistant vinyl. Unique ridged design is riveted in place to keep it secure through years of use. Aluminum Vinyl bunks are standard on all hydraulic lifts.

- 8 ADJUSTABLE EXTENSION LEGS**  
Adjustable up to 9 feet and equipped with large foot plates to provide greater stability. (Longer options also available.)

**FREE-STANDING**  
No need for pilings or fixed structure for fast, easy, no-hassle installation.

**HIGHLY CUSTOMIZABLE**  
From size and height adjustments to accessories, this lift can be customized to fit any need.

**SAFEST** and most reliable protection of your investment thanks to the cantilever design, when in the up position your lift is secured in place.

**STAINLESS-STEEL BRAIDED HOSES**  
Acts as a protective jacket providing a layer of protection from abrasion and cutting to prevent zebra mussel damage. Standard on all HL-FLEX lifts.†

**HYDRAULIC CONTROL BOX**  
New corrosion and water-resistant aluminum pump base is housed in a water-resistant, lock-ready, fiberglass box and operates with 12V or 24V batteries. Solar charger available so no need for shore power. Biodegradable hydraulic fluid is safe and eco-friendly.

**WIRELESS REMOTE TRANSMITTER**  
Convenient control of your lift from a distance.

# BUILT TO LAST



## NEW! HL-FLEX PONTOON/TRITON KITS

Our new HL-FLEX Pontoon and Tritoon kits are designed specifically for the increased width of these larger boats. Offering even greater width adjustments to get the perfect fit for wider boats. Further adjustments can be made to bunks to accommodate varying toon sizes.

## OPTIONS/ACCESSORIES



9

### FULL GUIDE-ONS

Guide and protect your boat on entry and exit.



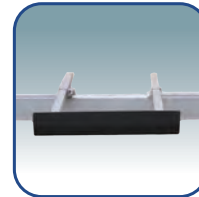
### WAKEBOARD GUIDE-ONS

Vertical and full length guide-ons combine for the ultimate protection.



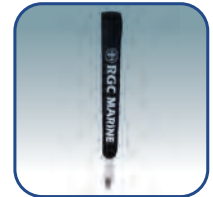
### BOW STOP

Securely positions your boat in the cradle.



### MOTOR STOP

Keeps your boat properly positioned, safe and balanced.



### VERTICAL GUIDE COVERS

Protect your guide posts from stains and scuffs.



### SOLAR POWER

Upgrade to solar for clean, free, low-maintenance power. This safer way to charge your lift is easier with no need to access shore power.



10

### VERTICAL GUIDE POSTS

Improved attachment for quick easy set up to provide the ultimate protection when vertical and full guide-ons are added.



### RGC CANOPY

Add a canopy for the ultimate protection. Available in our streamlined Apex design, or choose the Traditional canopy in scalloped or straight style for a classic look. RGC Canopies come standard with fade and stain resistant Sunbrella® fabric in an array of colors to compliment any waterfront.

### LIFT SPECIFICATIONS *(all measurements shown in inches unless otherwise noted)*

Model	Weight Capacity (shown in lbs.)	Maximum Beam	Overall Width (inc. feet)	Overall Length (inc. feet)	Lift Arm Length	Minimum Bunk Height*	Hydraulic Cylinders	Maximum Bunk Width (center to center)
HL2000	2,000	58/65	74/81	119	48	25	1	n/a
HL6000	4,000 - 6,000	112/120	137	220/208/198	72/60/48	31/30/29	2	44.5
HL7000	5,000 - 8,000	112/120	137	220/209/198	72/60/48	35/34/33	2	44.5
HL80120	8,000	120	141	223/211	72/60	32/31	4	50.5
HL90120	8,000 - 10,000	120	141	211/200	60/48	31/30	4	50.5
HL120132	9,000 - 13,500	132	152	309/297/286	72/60/48	36	4	67.5
HL180144	18,000	144	164	264	60	30	4	82
HL240144	24,000	144	164	335	60	29	4	82
HL360144	36,000	144	164	335	60	29	4	82

\*Minimum Bunk Height - The distance from the bottom of feet to the top of bunk, in the LOWERED position, with the lift extension legs in lowest position.



SCAN THE CODE TO VIEW  
ADDITIONAL ACCESSORIES  
ONLINE



# HYDRAULIC PLATFORM LIFT

## CUSTOM SOLUTIONS FOR UNIQUE APPLICATIONS

—LIFTS AREN'T JUST FOR BOATS



**VERSATILITY** All the benefits of a hydraulic lift with versatility.

**MULTI-LIFT** Use for Seaplanes, PWCs, sundecks and more.

**STREAMLINED DESIGN** Integrates with your dock for a seamless look and feel.

**SOLID CONSTRUCTION** Marine grade aluminum frame and welded frame means fewer moving parts and reliability you can trust.

**LOW MAINTENANCE** Poly decking is stain and fade resistant and will never splinter or rot.

**SUPERIOR HYDRAULIC CYLINDERS** Offer fast, smooth, quiet lifting at the push of a button so you can be on the water in seconds.

**ECO-FRIENDLY** Biodegradable hydraulic fluid is 100% water soluble.

**FREESTANDING DESIGN** Fast, easy installation and adjustment.

