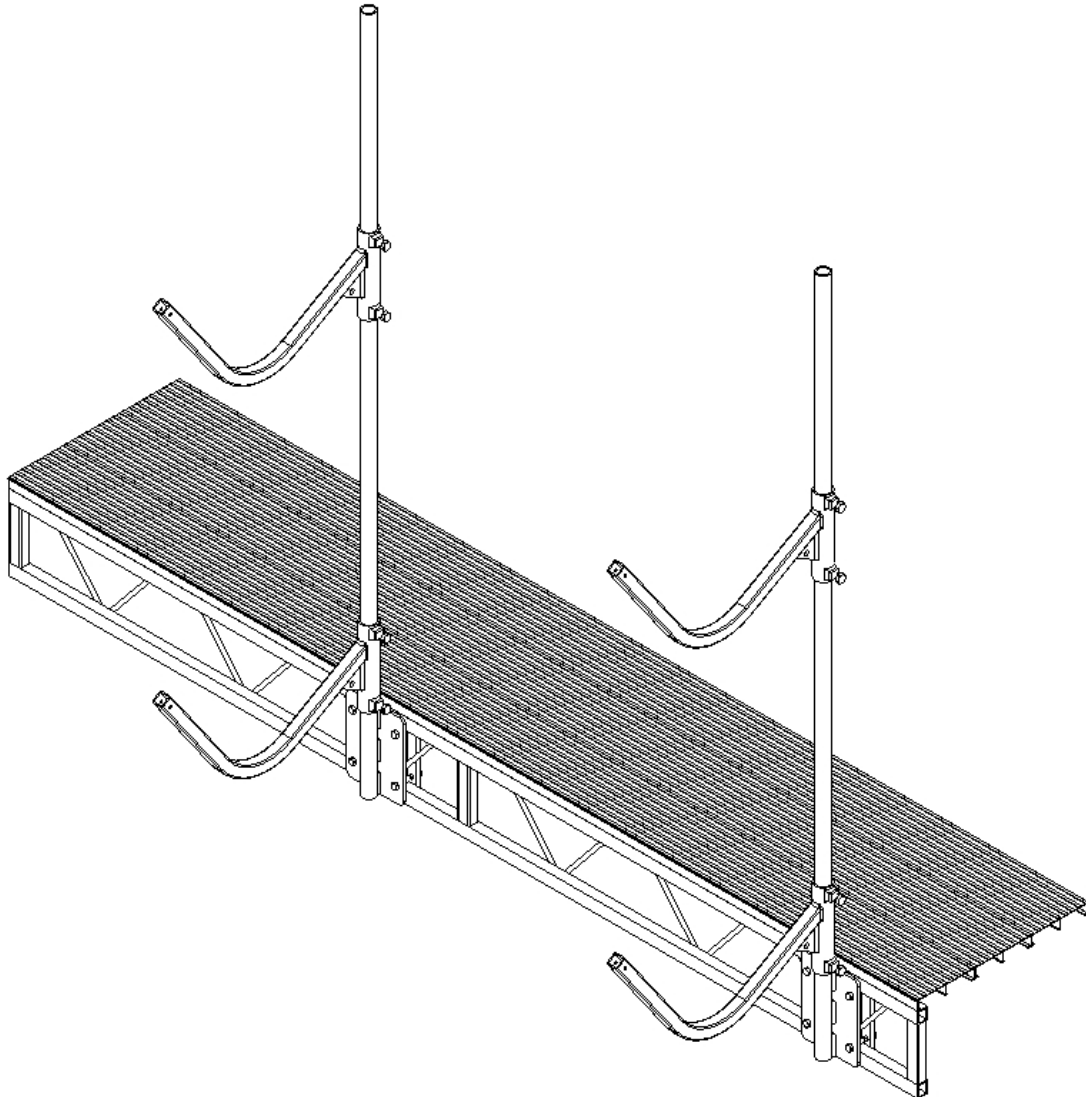




KAYAK RACK INSTRUCTIONS

(Applies to P/N 4013012)




REIMANN & GEORGER CORPORATION
MARINE PRODUCTS
P/N 6112219

BUFFALO, NY
04/23/18

1 PARTS LISTS

Each reference number in the following parts lists can be matched with the reference number in both the text and illustrations, Installation and Setup.

ITEM	PART NUMBER	DESCRIPTION	QTY	BASE UNIT
1	4013335 rev2	T-DOCK KAYAK SUPPORT ARM WLDMNT	4	Each
2	4013338	T-DOCK KAYAK RACK SUPT LEG WLDMNT	2	Each
3	5896280	HHCS 1/2-13 X 1 SS	8	Each
4	4013526	T-DOCK STAIR MTG CLAMP	2	Each
5	5896253	HHCS 3/8-16 X 2-1/2 SS	4	Each
6	5896406	WASHER FLAT SAE 3/8 SS	4	Each
7	5840103	NUT HEX NYLOCK 3/8-16 ALUM	4	Each
8	6440420	CAP SQ DIPMOULD 1.081"ID X 1" LG	4	Each

CONFIDENTIAL/PROPRIETARY INFORMATION: THIS DRAWING IS THE PROPERTY OF RGC AND IS FURNISHED FOR PURPOSES OF MANUFACTURING AND SHALL NOT BE USED/REPRODUCED BY RECIPIENT FOR ANY OTHER PURPOSE WHATSOEVER.	MATERIAL TOLERANCES UNLESS SPECIFIED ANGLES = ±.5 DEG FRACTIONS = ±.015 DEC = ±.005 DEC = ±.01 X = ±.005	INT DATE PDJ 4/19/2012 CHECK BY PDJ APPROV BY PDJ		T-DOCK KAYAK RACK KIT		SCALE SIZE PAGE B OF	DWG NO. 4013012	REV -

TWO YEAR LIMITED WARRANTY

Reimann & Georger Corporation Marine Products

This product is warranted by RGC® Marine Products to the original purchaser to be free from defects in material and workmanship under normal use for a period of two years from the date of purchase.

During the warranty period, and upon proof of purchase, the product will be repaired or replaced (with the same or similar model) at our option, without charge for either parts or labor when serviced at RGC® Marine Products.

Upon completion of repair, the unit will be returned to the customer freight prepaid. The warranty will not apply to this product if it has been misused, abused, or altered.

NEITHER THIS WARRANTY OR ANY OTHER WARRANTY, EXPRESS OR IMPLIED, INCLUDING IMPLIED WARRANTIES OF MERCHANTABILITY, SHALL EXTEND BEYOND THE WARRANTY PERIOD. NO RESPONSIBILITY IS ASSUMED FOR ANY INCIDENTAL OR CONSEQUENTIAL DAMAGES. SOME STATES DO NOT ALLOW EXCLUSION OR LIMITATION OF INCIDENTAL OR CONSEQUENTIAL DAMAGES, SO THE ABOVE LIMITATIONS OR EXCLUSIONS MAY NOT APPLY TO YOU.

This warranty gives you specific legal rights, and you may also have other rights which vary from state to state.