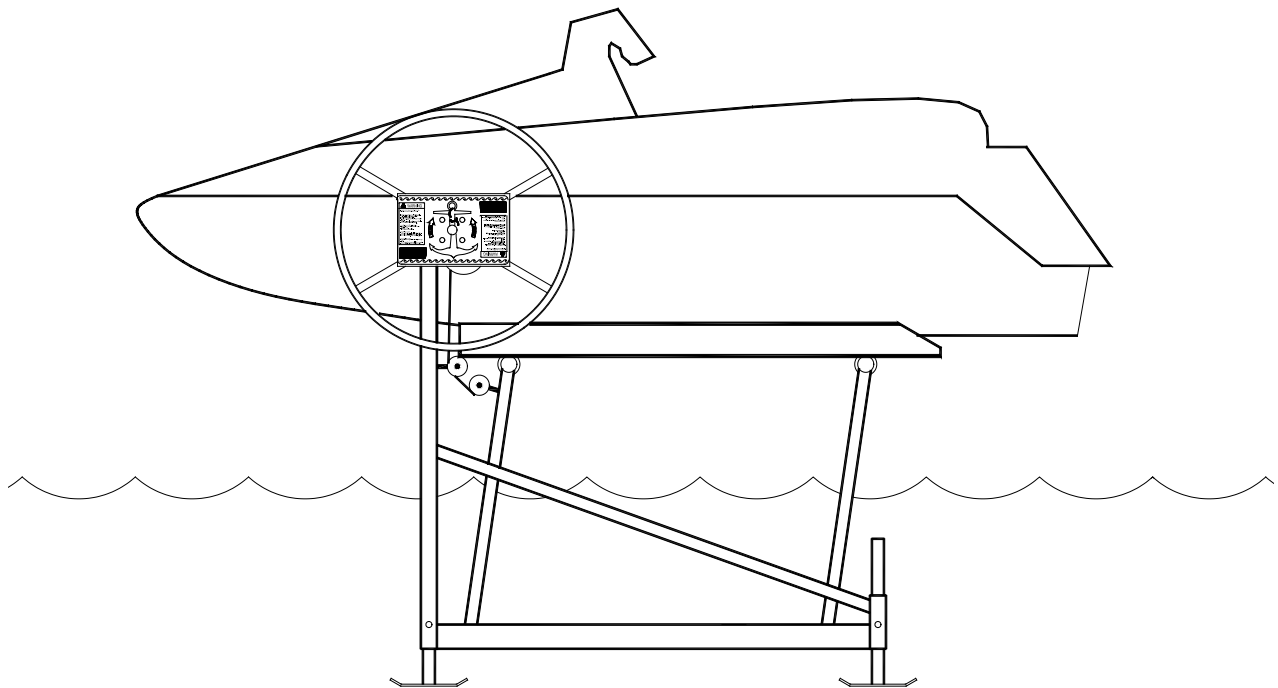




# PL800-2000 WINCH EXT. INSTRUCTIONS

(Applies to P/Ns 3489070 & 3402050)



REIMANN & GEORGER CORPORATION  
MARINE PRODUCTS  
P/N 6112---

BUFFALO, NY  
05/10/18

## 7 PARTS LIST

Each reference number or letter in the following parts list can be matched with the reference number or letter referred to in both the text and illustrations of Chapter 3, Installation and Setup.



### **WARNING:**

**FAILURE TO APPLY A SUITABLE LUBRICANT TO THE MATING SURFACES OF STAINLESS STEEL THREADED FASTENERS MAY CAUSE GALLING AND/OR SEIZING OF ASSEMBLY.**

#### **7.1 #3489070 PL800 WINCH EXTENSION PARTS**

REF #	PART #	QTY	DESCRIPTION
1	3489055	1	PL800 WINCH EXT. ASSY
2	NOT USED		
	3402280	1	PL800-PL2000 WINCH EXT. BOB
A	5806243	4	WASHER SPLIT LOCK 3/8 SS
B	5896255	4	HHCS 3/8-16 X 3 SS
C	5896377	4	NUT HEX 3/8-16 SS
D	5896406	4	WASHER FLAT SAE 3/8" SS
E	6408069	1	CAP DIP MOULD .343"IDX1/2"L BLK

#### **7.2 #3480048 PL900 WINCH EXTENSION PARTS**

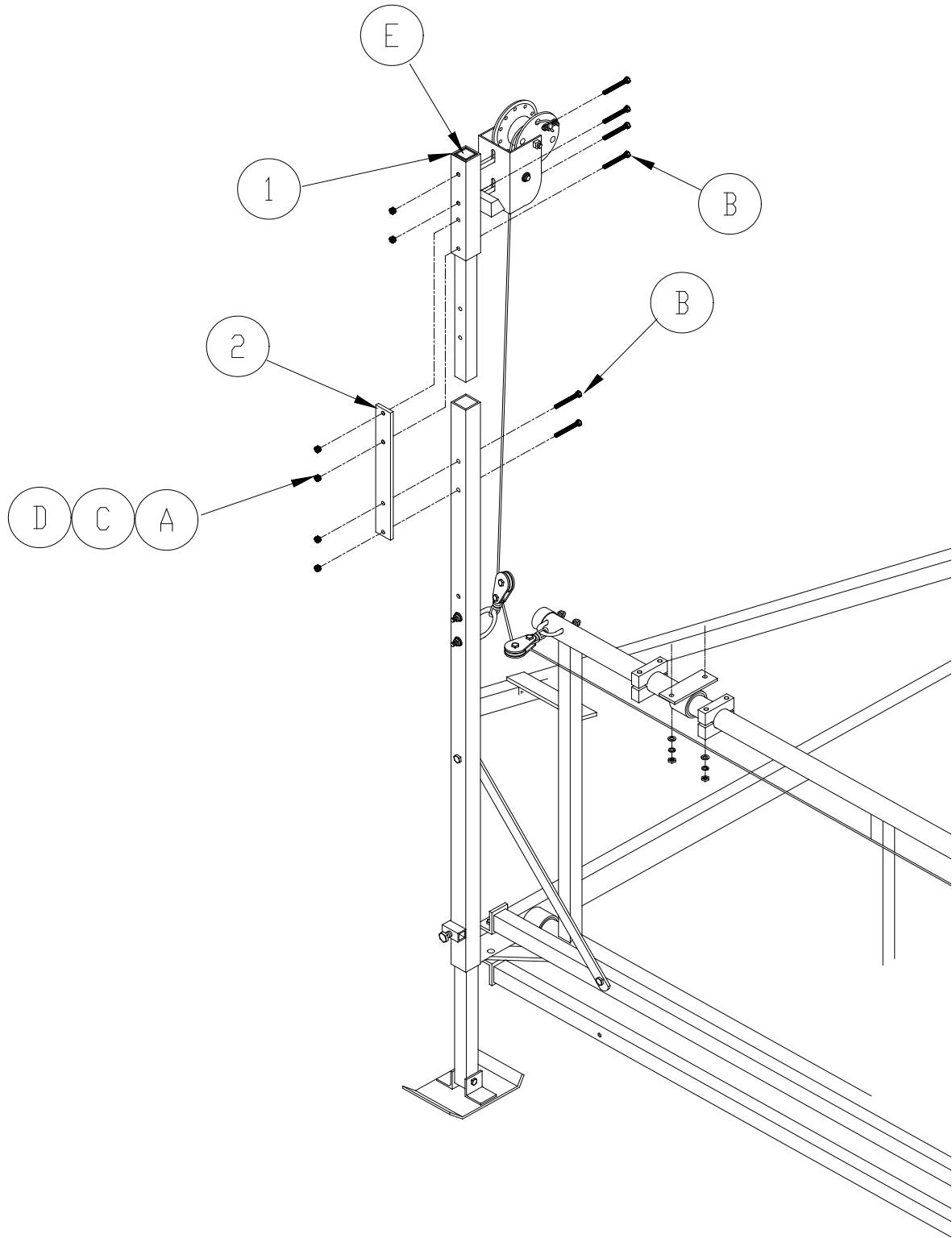
REF #	PART #	QTY	DESCRIPTION
1	3480060	1	PL900 WINCH EXT. ASSY
2	NOT USED		
	3402280	1	PL800-PL2000 WINCH EXT. BOB
A	5806243	4	WASHER SPLIT LOCK 3/8 SS
B	5896255	4	HHCS 3/8-16 X 3 SS
C	5896377	4	NUT HEX 3/8-16 SS
D	5896406	4	WASHER FLAT SAE 3/8" SS
E	6408069	1	CAP DIP MOULD .343"IDX1/2"L BLK

#### **7.3 #3402050 PL1200 / PL1200W WINCH EXTENSION PARTS**

REF #	PART #	QTY	DESCRIPTION
1	3406315	1	PL1200 WINCH EXT. ASSY
2	3402440	1	PL1200 WINCH EXT OUTER SUPT
	3402280	1	PL800-PL2000 WINCH EXT. BOB
A	5806243	4	WASHER SPLIT LOCK 3/8 SS
B	5896255	4	HHCS 3/8-16 X 3 SS
C	5896377	4	NUT HEX 3/8-16 SS
D	5896406	4	WASHER FLAT SAE 3/8" SS
E	6408069	1	CAP DIP MOULD .343"IDX1/2"L BLK

#### **7.4 #3406145 PL2000 WINCH EXTENSION PARTS**

REF #	PART #	QTY	DESCRIPTION
1	3406325	1	PL2000 WINCH EXT. ASSY
2	3402440	1	PL1200 WINCH EXT OUTER SUPT
	3402280	1	PL800-PL2000 WINCH EXT. BOB
A	5806243	4	WASHER SPLIT LOCK 3/8 SS
B	5896255	4	HHCS 3/8-16 X 3 SS
C	5896377	4	NUT HEX 3/8-16 SS
D	5896406	4	WASHER FLAT SAE 3/8" SS
E	6408069	1	CAP DIP MOULD .343"IDX1/2"L BLK



**PL800 & PL2000 Winch Extension Assembly**