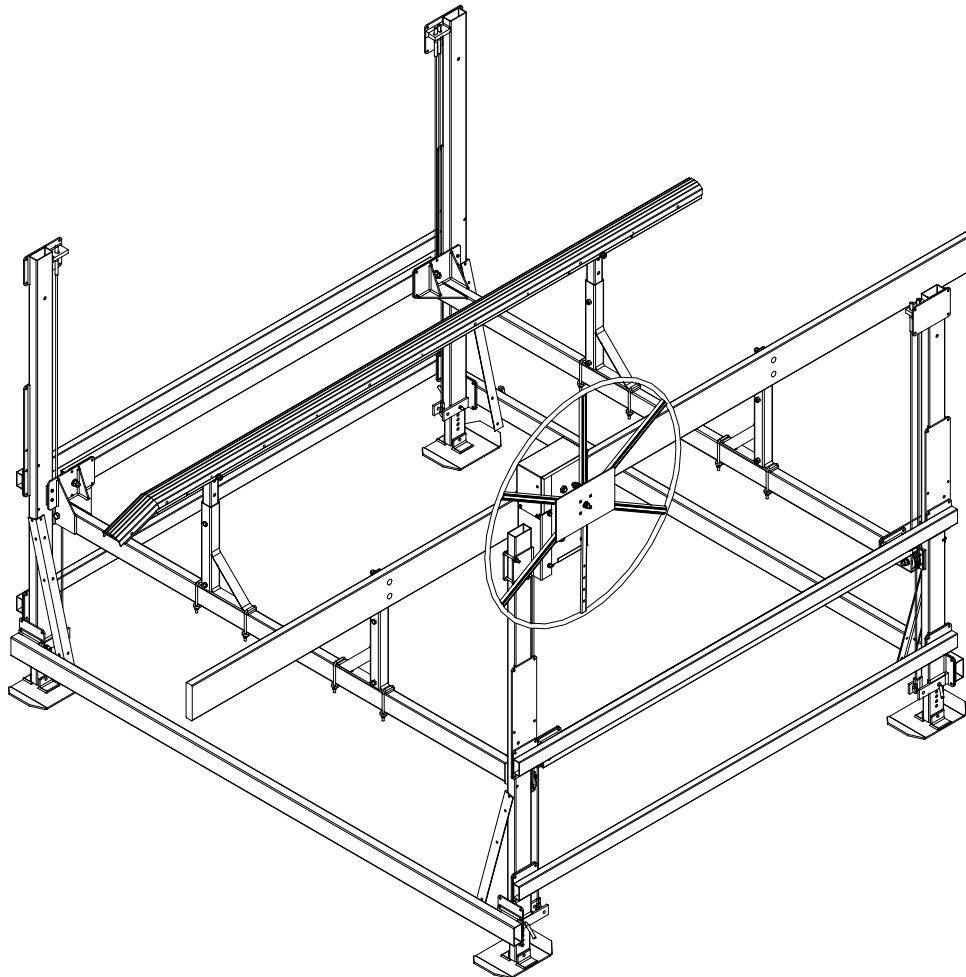




**VL / HVL PONTOON & TRITON  
WOOD & ALUMINUM / VINYL  
DECK BRACKET '13 INSTRUCTIONS**  
(Applies to P/Ns 3624509, 3654005, 3654010, 3654015)



**REIMANN & GEORGER CORPORATION**  
**MARINE PRODUCTS**  
P/N 6112143

**BUFFALO, NY**  
04/07/18

## TABLE OF CONTENTS

CHAPTER	TITLE	PAGE
<b>1</b>	<b>SAFETY .....</b>	<b>1</b>
1.1	Introduction .....	1
1.2	Safety Definitions .....	1
1.3	Equipment Safety Labels .....	1
1.4	Safety Rules .....	1
<b>2</b>	<b>INSTALLATION AND SETUP .....</b>	<b>3</b>
2.1	Pre-Installation Checks .....	3
2.2	Prior To Setup .....	3
2.3	Base Support Assembly .....	3
2.4	Wood Bunk Assembly .....	4
2.5	Aluminum / Vinyl Bunk Assembly .....	6
<b>3</b>	<b>INSPECTION AND MAINTENANCE .....</b>	<b>8</b>
3.1	General Maintenance Rules .....	8
3.2	Annual Inspection .....	8
3.3	Storage Procedure .....	8
<b>4</b>	<b>PARTS LISTS .....</b>	<b>9</b>
4.1	VL3.5-4.5K / HVL4K Toon Wood Deck Bracket Kit ** .....	9
4.2	VL5KSR09 Toon Wood Deck Bracket Kit ** .....	9
4.3	VL6K / VL6KSR / HVL5K Toon Wood Deck Bracket Kit ** .....	10
4.4	VL7-VL8K Toon Wood Double Deck Bracket ** .....	10
4.5	HVL7K Toon Wood Double Deck Bracket Kit ** .....	11
4.6	Optional Carpeted 16' Wood Bunk Bundle .....	11
4.7	VL3.5-4.5K / HVL4K Toon Alum / Vinyl Deck Bracket Kit .....	11
4.8	VL5KSR09 Toon Alum / Vinyl Deck Bracket Kit .....	12
4.9	VL6K / VL6KSR / HVL5K Toon Alum / Vinyl Deck Bracket Kit .....	12
4.10	VL7-VL8K Toon Alum / Vinyl Double Deck Bracket .....	13
4.11	HVL7K Toon Alum / Vinyl Double Deck Bracket Kit .....	13

## LIST OF FIGURES

FIGURE	DESCRIPTION	PAGE
2-1	Deck Bracket Base Support Assembly .....	4
2-2	Wood Bunk Assembly .....	5
2-3	Aluminum / Vinyl Bunk Assembly .....	7

# 1 SAFETY

## 1.1 INTRODUCTION

Your Reimann & Georger Corporation Marine Products VL / HVL Pontoon / Tritoon Deck Bracket Kit is designed to raise pontoon / tritoon boats from under the deck. Your deck bracket kit is well-designed and well-built. However, like any other equipment, it can malfunction or become hazardous in the hands of an inexperienced and/or untrained user. Therefore, read this manual and your related Lift manual, and related equipment manuals thoroughly before installing this kit and operating your lift to provide maximum safety for all operating personnel, and to get the maximum benefit from your equipment.

## 1.2 SAFETY DEFINITIONS

A safety message alerts you to potential hazards that could hurt you or others or cause property damage. The safety messages or signal words for product safety signs are **DANGER**, **WARNING**, and **CAUTION**. Each safety message is preceded by a safety alert symbol and is defined as follows:

**DANGER:** Indicates an imminently hazardous situation which, if not avoided, **will** cause death or serious injury. This safety message is limited to the most extreme situations.

**WARNING:** Indicates a potentially hazardous situation which, if not avoided, **could** result in death or serious injury.

**CAUTION:** Indicates a potentially hazardous situation which, if not avoided, **may** result in minor or moderate injury. It may also be used to alert against unsafe practices and property-damage-only accidents.

## 1.3 EQUIPMENT SAFETY LABELS

These labels warn you of potential hazards that could cause injury. Read them carefully. If a label comes off or becomes illegible, contact a Reimann & Georger Corporation dealer for a replacement.

## 1.4 SAFETY RULES



### **WARNING:**

**DO NOT INSTALL THIS KIT AND OPERATE THE LIFT WITHOUT READING BOTH THIS MANUAL AND YOUR LIFT MANUAL. FAILURE TO DO THIS CAN LEAD TO EQUIPMENT MISUSE WITH RESULTING DAMAGE AND/OR SERIOUS PERSONAL INJURY. CONTACT YOUR RGC® MARINE DEALER IF YOU HAVE ANY QUESTIONS.**

1. Do not install this kit without first replacing any damaged or defective parts.
2. The deck brackets do not increase the rated capacity of the lift. Never use the lift beyond its rated capacity. This can damage the kit assembly, lift, and/or boat with resulting serious personal injury.
3. Never try using any part of this kit in an application for which it was not designed.
4. Do not weld or otherwise modify any part of this kit. Such alterations may weaken the structural integrity of the lift and void the warranty.
5. Do not try installing the deck brackets with the weight of the boat on the lift. This can cause equipment damage and/or personal injury.
6. The following precautions must be observed when lifting any part of this equipment:
  - a. Be sure of your footing.
  - b. Bend your knees and lift with your legs.
  - c. Hold the equipment section close to your body when lifting.
7. After the deck brackets are installed, the safety checks in Steps 8 through 25 must be performed on your lift prior to operation. Details on these checks are given in your lift manual.
8. Before allowing anyone to operate the lift, be sure they fully understand the proper operating procedure.

9. Do not operate the lift under the influence of drugs, alcohol, or medication.
10. Keep people and pets clear during operation of the lift.
11. Keep fingers and clothing clear of all moving parts.
12. Never allow people in the boat any time it is suspended above the water on the platform.



**WARNING:**

**DO NOT STAND OR WALK ON THE PLATFORM WHILE IT IS IN ANY RAISED POSITION. THIS CAN CAUSE SERIOUS PERSONAL INJURY.**

13. Do not allow anyone to swim or play under, near or on the lift at any time.
14. Ensure that all bolts and nuts are fastened securely on both this kit and the lift prior to operation.
15. Ensure that the frame is level and square.
16. Completely remove any user or dealer installed locking devices before operating the lift.
17. The boat must be secured on the lift before raising or lowering. Failure to do this can cause equipment damage and/or serious personal injury.
18. Check the lift periodically for frayed cables and/or binding pulleys. If any pulley binds, replace it immediately.
19. Do not try making any adjustments on the lift during operation.
20. Contact your dealer if the winch mechanism fails to perform as described in the Operation chapter of your vertical lift manual.
21. Never tamper with the winch mechanism. This can cause equipment damage.
22. When using a direct drive or motorized friction drive, understand the use of all controls and connections provided with it.



**WARNING:**

**ALL ELECTRIC DRIVES MUST BE INSTALLED AND INSPECTED BY A CERTIFIED ELECTRICIAN IN ACCORDANCE WITH LOCAL ELECTRICAL CODES. THIS INSTALLATION MUST INCLUDE A PROPERLY WORKING GROUND FAULT CIRCUIT INTERRUPTER. (G.F.C.I.)**

23. Never use the lift to hang or store any auxiliary equipment such as boating hardware.
24. The handwheel or power drive must turn clockwise when raising the platform and counter-clockwise when lowering the platform. If the platform operates in the reverse sense, you have reeved the winch incorrectly. You MUST follow the winch reeving instructions in your lift manual to prevent equipment damage and/or personal injury. The brake pawl must click during platform raising, indicating that the brake is operative. The self-activating brake mechanism must provide a controlled lowering of the platform.



**WARNING:**

**NEVER RELEASE THE BRAKE PAWL OF THE WINCH. THIS CAN TRIGGER AN UNCONTROLLED SPIN-DOWN OR “FREEWHEEL” OF THE HANDWHEEL. IF FREEWHEELING OCCURS, NEVER TRY TO STOP IT AS THIS CAN CAUSE SERIOUS PERSONAL INJURY.**

25. Padlock the handwheel to the post or lock out your power drive to prevent unauthorized use when your lift is left unattended.

## 2 INSTALLATION AND SET UP

### 2.1 PRE-INSTALLATION CHECKS

1. Do not assemble this kit or any other component of the lift if any part appears to be damaged.
2. Do not weld or otherwise modify any portion of the lift. Such alterations may weaken the structural integrity of the lift and void the warranty.
3. This product has been supplied with stainless steel hardware to protect against a harsh marine environment and provide outstanding performance. Due to the chemistry and surface condition of stainless steel, there is a natural tendency for the hardware to “gall, lock up, or seize” during assembly. To prevent this from occurring, it is **highly recommended** that the anti-seize supplied in the hardware bag be applied to the mating surfaces of all stainless steel fasteners before assembly. Lubricants containing molybdenum disulfide, graphite, mica or talc may also be used.



#### **CAUTION:**

**DO NOT EXCEED THE MAXIMUM TORQUE RATING ON ALL BOLTS OF 20 FT-LBS.**



#### **WARNING:**

**FAILURE TO APPLY A SUITABLE LUBRICANT TO THE MATING SURFACES OF STAINLESS STEEL THREADED FASTENERS MAY CAUSE GALLING AND/OR SEIZING OF ASSEMBLY.**

### 2.2 PRIOR TO SETUP

The part reference letters used in the subassembly drawings of sections 2.3 through 2.5 are the same as those shown in Figure 2-1 through Figure 2-4 and listed in the parts lists of Chapter 4.

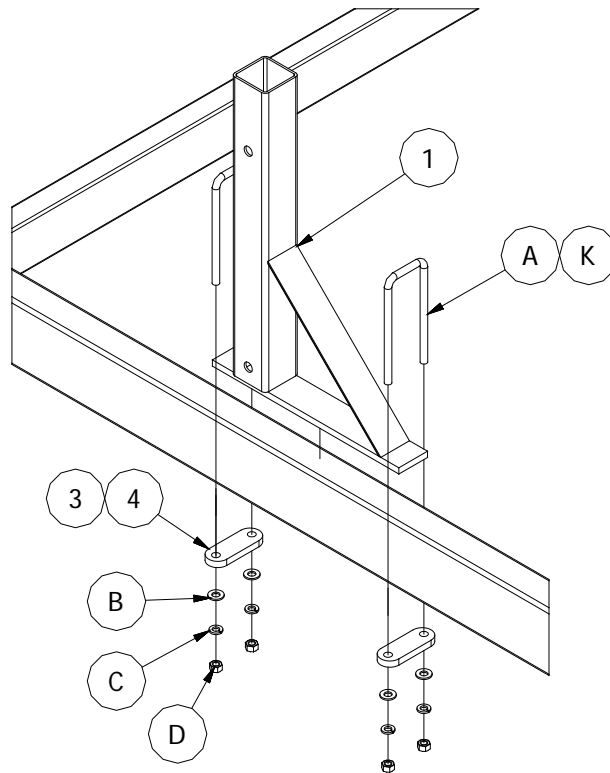
### 2.3 PONTOON / TRITOON ALUMINUM / VINYL & WOOD\*\* DECK BRACKET BASE SUPPORT ASSEMBLY

1. (**Refer to Figure 2-1**) Position a Base Support Bracket (1), with square tube closest to the toon, on top of the Load Tube. Insert two square bend bolts (A), one at each end of support base plate. Place a 2-hole plate (3 or 4), under Load Tube on each bolt and loosely secure each side of both with a 3/8” flat washer (B), lock washer (C), and finally a bronze nut (D). (**DO NOT TIGHTEN AT THIS TIME**).
2. Making sure the Base Support square tube faces the toon, repeat step one for other end of the same Load Tube. (**DO NOT TIGHTEN AT THIS TIME**).
3. Repeat both steps 1 & 2 above for the other Load Tube. (**DO NOT TIGHTEN AT THIS TIME**).
4. On higher capacity lifts utilizing double brackets, (eight total), position the second set of Base Support Brackets to the inside of brackets already installed. Repeat all of the above steps. (**DO NOT TIGHTEN AT THIS TIME**).

**TRITOON SPECIAL NOTE:** Reverse position of second set of brackets so they too have square tube facing center toon. (**DO NOT TIGHTEN AT THIS TIME**).

5. Measure the inside spacing between toons. Subtract 8” for wood bracket option \*\* or 5” for aluminum / vinyl option from that measurement, and position the Base Support Bracket Assemblies left to right near the ends of each Load Tube to keep boat centered on lift. **TIGHTEN ALL FASTENERS SECURELY AT THIS TIME.**

\*\* (CARPETED WOOD BUNKS NOT INCLUDED BUT CAN BE ORDERED)



**Figure 2-1.**  
**Deck Bracket Base Support Installation**

## 2.4 CARPETED WOOD BUNK INSTALLATION\*\*

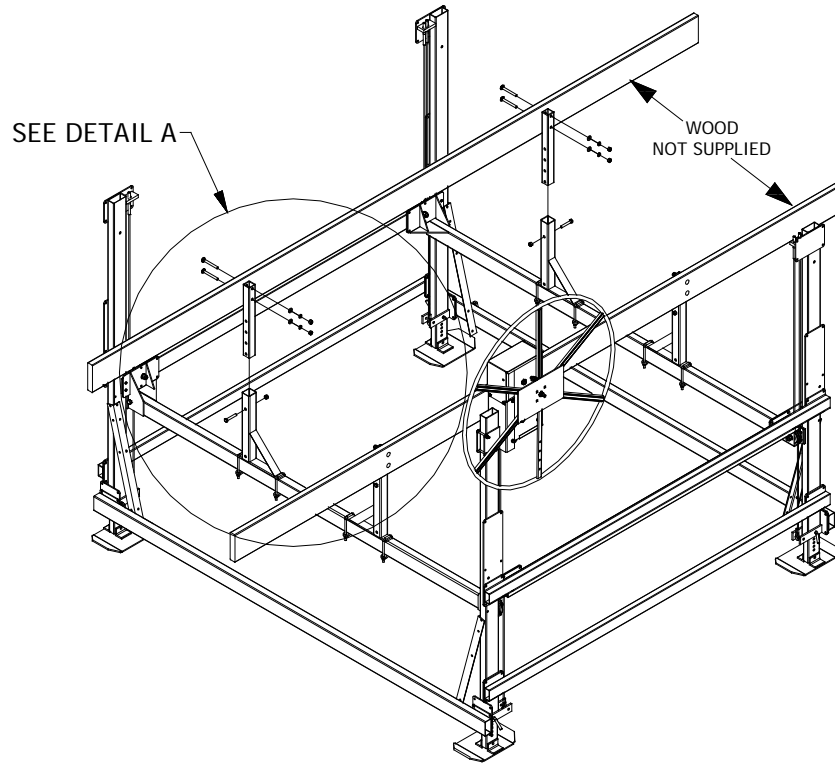
\*\* (CARPETED WOOD BUNKS NOT INCLUDED BUT CAN BE ORDERED)

**NOTE:** RGC recommends using 2" x 8" x 16' pressure treated lumber for the deck bracket bunks. Contact areas between wood and aluminum on lift and boat should have a barrier material in place to help prevent any corrosion caused by pressure treating process.

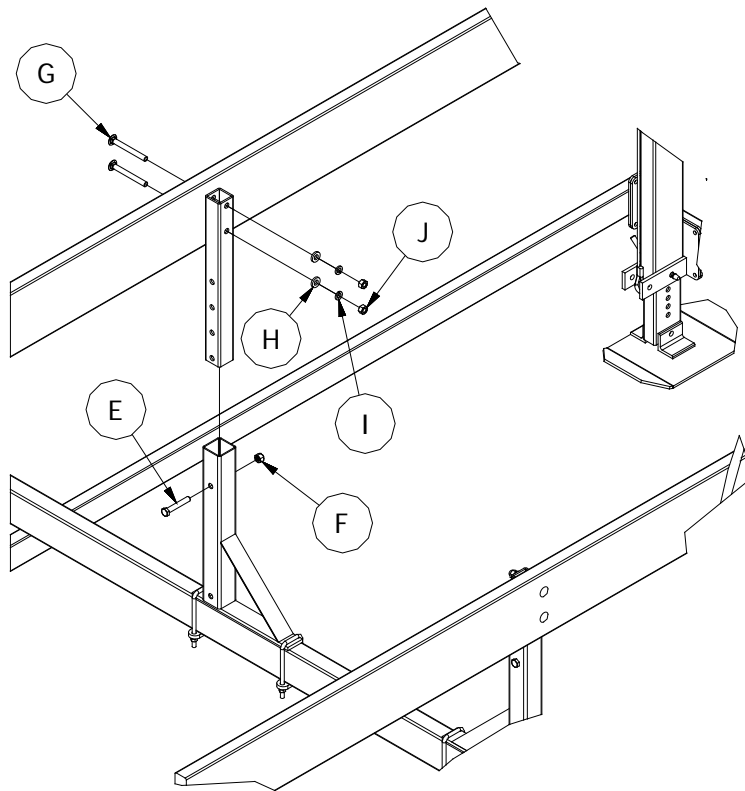
1. (Refer to Figure 2-2) Insert one Upper Wood Support Tube (2), align the tube end having three holes, with the single hole at top of Base Support Bracket. Loosely secure tube at desired height using 1/2" hex bolt (E), and aluminum nut (F). (**DO NOT TIGHTEN AT THIS TIME**).
2. Repeat step one for all other support brackets.
3. Center the Wood Bunk\*\* from front to back on the lift and mark the location of all the Upper Wood Support Tube bunk mounting holes, centered vertically on 8" width. Then drill two 9/16" holes centered 3" apart, at both Upper Wood Support Tube marks through the bunk. Counter bore all four holes 1-1/8" diameter approximately 5/16" deep.
4. Position the bunk on the outside face of the Upper Wood Support Tube, with counter bores facing toon. Insert two 1/2" carriage bolts (G), through the counter bored side of bunk, then through the Upper Wood Support Tube. Then loosely attach one 1/2" flat washer (H), 1/2" lock washer (I), and finally 1/2" hex nut (J), to each carriage bolt. (**DO NOT TIGHTEN AT THIS TIME**). Repeat for other end of bunk, and then tighten fasteners securely.

**MAKE SURE HEAD OF CARRIAGE BOLT IS PULLED BELOW THE SURFACE OF THE WOOD BUNK TO PREVENT TOON MARRING.**

5. Repeat steps three and four for remaining wood bunk(s).



**Figure 2-2.**  
**Wood Bunk Installation**

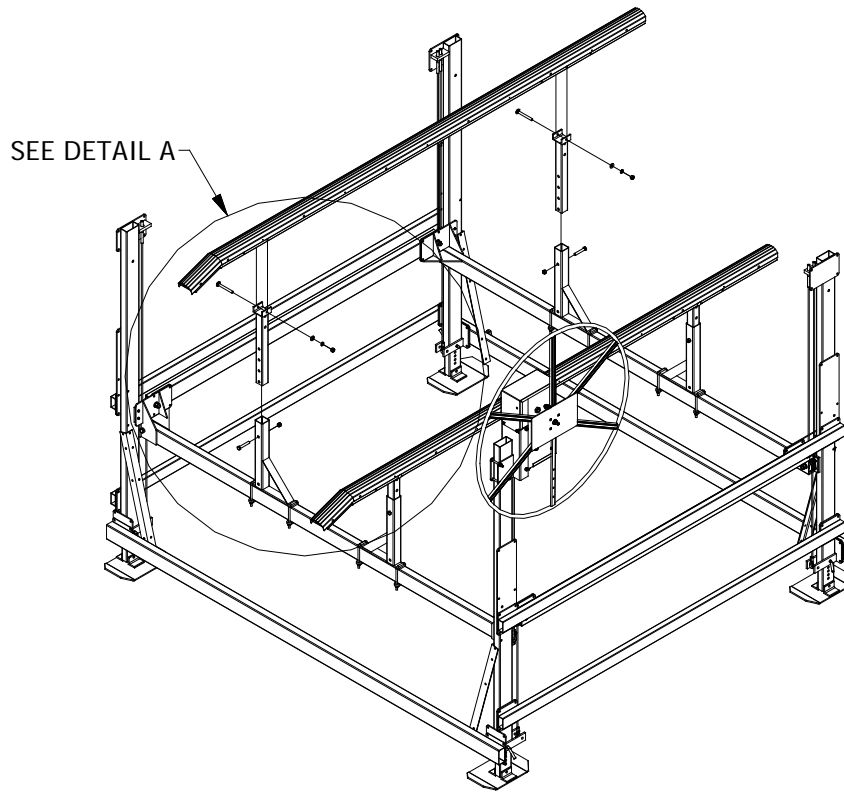


**Wood Detail A**

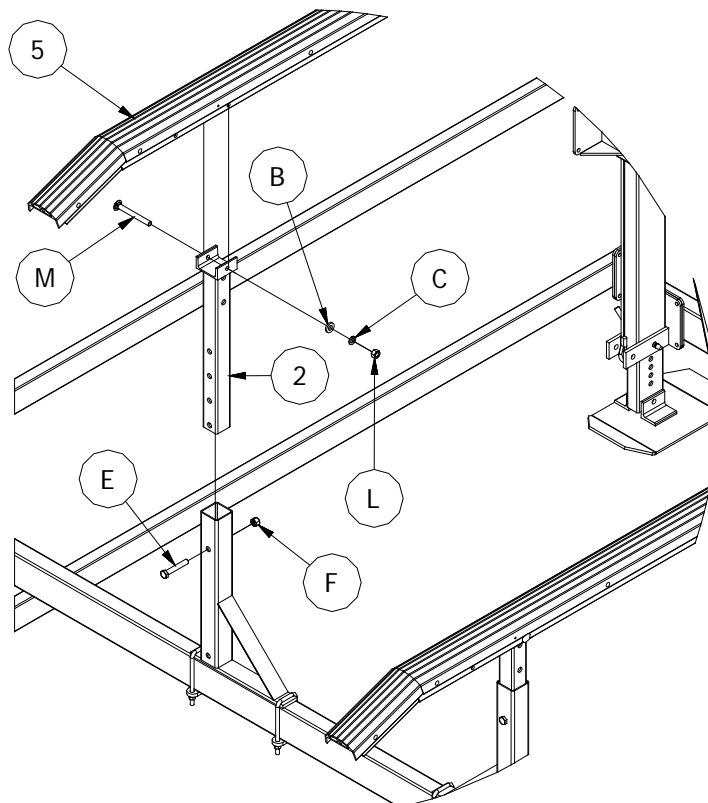
## 2.5 ALUMINUM/VINYL BUNK INSTALLATION

1. (**Refer to Figure 2-3**) Insert one Upper Alum/Vinyl Support Bracket (2) into base support tube. Ensure the mounting channel holes face the sides of lift not front to back. Loosely secure upper bracket at desired height using 1/2" hex bolt (E), and aluminum nut (F). (**DO NOT TIGHTEN AT THIS TIME**).
2. Repeat step one for all other support brackets.
3. Position one aluminum / vinyl bunk overtop of front & rear channels. Align corresponding holes in bunk with mounting channels. Insert from toon side of square tube, one 3/8" hex bolt (M), through the Bunk flange and mounting channel. Then loosely attach one 3/8" flat washer (B), 3/8" lock washer (C), and finally 3/8" hex nut (L) to bolt. (**DO NOT TIGHTEN AT THIS TIME**). Repeat for other end of bunk, and then tighten fasteners securely.
4. Repeat step three for remaining aluminum / vinyl bunk(s).
5. Tighten all fasteners securely at this time.





**Figure 2-3.**  
**Aluminum/Vinyl Bunk Installation**



**Aluminum / Vinyl Detail A**

## 3 INSPECTION AND MAINTENANCE

### 3.1 GENERAL MAINTENANCE RULES

1. Do not allow persons other than authorized service personnel to repair this equipment.
2. Inspect bunks regularly for deterioration. Replace them immediately if they are worn.
3. Do not weld or otherwise modify the lift. Such alterations may weaken the structural integrity of the lift and invalidate your warranty.
4. Completely lower the lift before performing any type of maintenance or repair.



#### **WARNING:**

**NEVER ALLOW ANYBODY TO WORK IN OR ON THE BOAT WHEN IT IS SUSPENDED ABOVE THE WATER ON THE LIFT. IF THE HANDWHEEL ON THE WINCH SHOULD START FREEWHEELING, DEATH OR SERIOUS INJURY COULD RESULT.**

**IF FREEWHEELING STARTS, NEVER TRY TO STOP IT. ALTHOUGH A SPIN DOWN OR "FREEWHEELING" CAN CAUSE LIFT OR BOAT DAMAGE, TRYING TO STOP FREEWHEELING CAN CAUSE SERIOUS PERSONAL INJURY.**

### 3.2 ANNUAL INSPECTION

At least once a year, the lift must be thoroughly inspected using the following procedure.



#### **WARNING:**

**DO NOT ALLOW ANYBODY TO USE THE LIFT UNTIL THIS MAINTENANCE IS COMPLETED.**

1. Tighten all bolts.
2. Check all deck brackets and bunks for any damage, deterioration, or excessive wear. If any is found, replace them immediately.
3. Check all frame members thoroughly for defects. If any is found, replace them immediately.

### 3.3 STORAGE PROCEDURE

1. Position boat on platform so the lower unit of the motor is against the optional motor stop (if used).
2. Protect your lift as far as possible from damage caused by environmental factors such as airborne fallout, chemicals, tree sap, and weather hazards.
3. Never use the lift to hang or store any auxiliary equipment such as boating hardware.
4. Do not allow anyone to swim or play near the lift at any time.
5. Padlock the handwheel to the post and disconnect the power to any electric motor when your boat lift is unattended. Never assume you will find the lift in the same condition that you left it.

## 4 PARTS LIST

Each reference number or letter in the following parts lists can be matched with the reference number or letter referred to in the illustrations of the instruction manual.



### **WARNING:**

**FAILURE TO APPLY A SUITABLE LUBRICANT TO THE MATING SURFACES OF STAINLESS STEEL THREADED FASTENERS MAY CAUSE GALLING AND/OR SEIZING OF ASSEMBLY.**

#### **4.1 #3654005 VL3.5K-VL4.5K / HVL4K WOOD PONTOON / TRITON DECK BRACKET KIT\*\***

REF #	PART #	QTY	DESCRIPTION
-	<b>3654005</b>	<b>1</b>	<b>WOOD PON&amp;TRI TOON DECK BRACKET</b> Carton Of Parts – Consisting Of;
1	3604507	4	BASE SUPPORT BRACKET WELDMENT
2	3654627	4	UPPER WOOD SUPPORT TUBE 19-1/4”
-	<b>3654205</b>	<b>1</b>	<b>WOOD PON&amp;TRI TOON DECK BRACKET</b> Bag Of Bolts – Consisting Of;
3	3603835	8	2-HOLE PLATE 2”
A	5898100	8	3/8 X 2-1/8 X 6 SQUARE BEND U-BOLT SS
B	5896406	16	3/8 SAE FLAT WASHER SS
C	5806243	16	3/8 SPLIT LOCKWASHER SS
D	5803638	16	3/8 HEX NUT SILICON BRONZE
E	5896288	4	1/2 X 3 HEX HEAD CAP SCREW SS
F	5836107	4	1/2 NYLOCK HEX NUT ALUM
G	5892503	8	1/2 X 4-1/2 CARRIAGE BOLT SS
H	5896400	8	1/2 SAE FLAT WASHER SS
I	5806244	8	1/2 SPLIT LOCKWASHER SS
J	5896379	8	1/2 HEX NUT SS

\*\* Carpeted Wood Bunks Not Included (But Can Be Ordered). See section 2.4 and 4.6 for requirements.

#### **4.2 #3654010 VL5K SINGLE REEVED (2009) WOOD PONTOON / TRITON DECK BRACKET KIT\*\***

REF #	PART #	QTY	DESCRIPTION
-	<b>3654010</b>	<b>1</b>	<b>WOOD PON&amp;TRI TOON DECK BRACKET</b> Carton Of Parts – Consisting Of;
1	3604507	4	BASE SUPPORT BRACKET WELDMENT
2	3654627	4	UPPER WOOD SUPPORT TUBE 19-1/4”
-	<b>3654210</b>	<b>1</b>	<b>WOOD PON&amp;TRI TOON DECK BRACKET</b> Bag Of Bolts – Consisting Of;
3	3603835	8	2-HOLE PLATE 2”
A	5898300	8	3/8 X 2-1/16 X 6-5/8 SQUARE BEND U-BOLT SS
B	5896406	16	3/8 SAE FLAT WASHER SS
C	5806243	16	3/8 SPLIT LOCKWASHER SS
D	5803638	16	3/8 HEX NUT SILICON BRONZE
E	5896288	4	1/2 X 3 HEX HEAD CAP SCREW SS
F	5836107	4	1/2 NYLOCK HEX NUT ALUM
G	5892503	8	1/2 X 4-1/2 CARRIAGE BOLT SS
H	5896400	8	1/2 SAE FLAT WASHER SS
I	5806244	8	1/2 SPLIT LOCKWASHER SS
J	5896379	8	1/2 HEX NUT SS

**4.3 #3654015 VL6K / VL6KSR / HVL5K WOOD PONTOON / TRITON DECK BRACKET KIT\*\***

REF #	PART #	QTY	DESCRIPTION
-	<b>3654015</b>	<b>1</b>	<b>WOOD PON&amp;TRI TOON DECK BRACKET</b> Carton Of Parts – Consisting Of;
1	3604507	4	BASE SUPPORT BRACKET WELDMENT
2	3654627	4	UPPER WOOD SUPPORT TUBE 19-1/4"
-	<b>3654215</b>	<b>1</b>	<b>WOOD PON&amp;TRI TOON DECK BRACKET</b> Bag Of Bolts – Consisting Of;
3	3606921	8	2-HOLE PLATE 3"
A	5895900	8	3/8 X 3-1/8 X 6-5/8 SQUARE BEND U-BOLT SS
B	5896406	16	3/8 SAE FLAT WASHER SS
C	5806243	16	3/8 SPLIT LOCKWASHER SS
D	5803638	16	3/8 HEX NUT SILICON BRONZE
E	5896288	4	1/2 X 3 HEX HEAD CAP SCREW SS
F	5836107	4	1/2 NYLOCK HEX NUT ALUM
G	5892503	8	1/2 X 4-1/2 CARRIAGE BOLT SS
H	5896400	8	1/2 SAE FLAT WASHER SS
I	5806244	8	1/2 SPLIT LOCKWASHER SS
J	5896379	8	1/2 HEX NUT SS

**\*\* Carpeted Wood Bunks Not Included (But Can Be Ordered).** See section 2.4 and 4.6 for requirements.

**4.4 #3654020 VL7K-VL8K WOOD PONTOON / TRITON DOUBLE DECK BRACKET KIT\*\***

REF #	PART #	QTY	DESCRIPTION
-	<b>3654020</b>	<b>1</b>	<b>WOOD PON&amp;TRI TOON DECK BRACKET</b> Carton Of Parts – Consisting Of;
1	3604507	8	BASE SUPPORT BRACKET WELDMENT
2	3654627	8	UPPER WOOD SUPPORT TUBE 19-1/4"
-	<b>3654220</b>	<b>1</b>	<b>WOOD PON&amp;TRI TOON DECK BRACKET</b> Bag Of Bolts – Consisting Of;
3	3606921	16	2-HOLE PLATE 3"
A	5895901	16	3/8 X 3-1/8 X 8-5/8 SQUARE BEND U-BOLT SS
B	5896406	32	3/8 SAE FLAT WASHER SS
C	5806243	32	3/8 SPLIT LOCKWASHER SS
D	5803638	32	3/8 HEX NUT SILICON BRONZE
E	5896288	8	1/2 X 3 HEX HEAD CAP SCREW SS
F	5836107	8	1/2 NYLOCK HEX NUT ALUM
G	5892503	16	1/2 X 4-1/2 CARRIAGE BOLT SS
H	5896400	16	1/2 SAE FLAT WASHER SS
I	5806244	16	1/2 SPLIT LOCKWASHER SS
J	5896379	16	1/2 HEX NUT SS

**\*\* Carpeted Double Wood Bunks Not Included (But Can Be Ordered).** See section 2.4 and 4.6 for requirements.

**4.5 #3654025 HVL7K WOOD PONTOON / TRITON DOUBLE DECK BRACKET KIT\*\***

REF #	PART #	QTY	DESCRIPTION
-	<b>3654020</b>	<b>1</b>	<b>WOOD PON&amp;TRI TOON DECK BRACKET</b> Carton Of Parts – Consisting Of;
1	3604507	8	BASE SUPPORT BRACKET WELDMENT
2	3654627	8	UPPER WOOD SUPPORT TUBE 19-1/4”
-	<b>3654225</b>	<b>1</b>	<b>WOOD PON&amp;TRI TOON DECK BRACKET</b> Bag Of Bolts – Consisting Of;
3	3606921	8	2-HOLE PLATE 3”
4	3603835	8	2-HOLE PLATE 2”
A	5895901	8	3/8 X 3-1/8 X 8-5/8 SQUARE BEND U-BOLT SS
B	5896406	32	3/8 SAE FLAT WASHER SS
C	5806243	32	3/8 SPLIT LOCKWASHER SS
D	5803638	32	3/8 HEX NUT SILICON BRONZE
E	5896288	8	1/2 X 3 HEX HEAD CAP SCREW SS
F	5836107	8	1/2 NYLOCK HEX NUT ALUM
G	5892503	16	1/2 X 4-1/2 CARRIAGE BOLT SS
H	5896400	16	1/2 SAE FLAT WASHER SS
I	5806244	16	1/2 SPLIT LOCKWASHER SS
J	5896379	16	1/2 HEX NUT SS
K	5895905	8	3/8 X 2-1/8 X 8-5/8 SQUARE BEND U-BOLT SS

\*\* Carpeted Double Wood Bunks Not Included (But Can Be Ordered). See section 2.4 and 4.6 for requirements.

**4.6 #3624509 CARPETED 16’ WOOD BUNK BUNDLE (two bundles required for HVL7K & VL8K)**

REF #	PART #	QTY	DESCRIPTION
-	3624511	2	CARPETED WOOD 2X8X16

**4.7 #3689406 VL3.5K-VL4.5K / HVL4K ALUMINUM / VINYL PONTOON / TRITON DECK BRACKET KIT**

REF #	PART #	QTY	DESCRIPTION
-	<b>3636108</b>	<b>1</b>	<b>ALUMINUM / VINYL BUNK BUNDLE</b>
5	3636405	2	AL/VIN BUNK ASSEMBLY
-	<b>3689467</b>	<b>1</b>	<b>AL/VIN PON&amp;TRI TOON DECK BRACKET</b> Carton Of Parts – Consisting Of;
1	3604507	4	BASE SUPPORT BRACKET WELDMENT
2	3689275	4	UPPER ALUM/VINYL SUPPORT BRACKET 19-1/4”
-	<b>3689470</b>	<b>1</b>	<b>AL/VIN PON&amp;TRI TOON DECK BRACKET</b> Bag Of Bolts – Consisting Of;
3	3603835	8	2-HOLE PLATE 2”
A	5898100	8	3/8 X 2-1/8 X 6 SQUARE BEND U-BOLT SS
B	5896406	20	3/8 SAE FLAT WASHER SS
C	5806243	20	3/8 SPLIT LOCKWASHER SS
D	5803638	16	3/8 HEX NUT SILICON BRONZE
E	5896288	4	1/2 X 3 HEX HEAD CAP SCREW SS
F	5836107	4	1/2 NYLOCK HEX NUT ALUM
H	5896400	4	1/2 SAE FLAT WASHER SS
L	5840104	4	3/8 HEX NUT ALUM
M	5896262	4	3/8 X 4-1/2 HEX HEAD CAP SCREW SS

**4.8 #3689514 VL5K SINGLE REEVED ALUMINUM / VINYL PONTOON / TRITON DECK BRACKET KIT**

REF #	PART #	QTY	DESCRIPTION
-	<b>3636108</b>	<b>1</b>	<b>ALUMINUM / VINYL BUNK BUNDLE</b>
5	3636405	2	AL/VIN BUNK ASSEMBLY
-	<b>3689590</b>	<b>1</b>	<b>AL/VIN PON&amp;TRI TOON DECK BRACKET</b> Carton Of Parts – Consisting Of;
1	3604507	4	BASE SUPPORT BRACKET WELDMENT
2	3689275	4	UPPER ALUM/VINYL SUPPORT BRACKET 19-1/4”
-	<b>3689593</b>	<b>1</b>	<b>AL/VIN PON&amp;TRI TOON DECK BRACKET</b> Bag Of Bolts – Consisting Of;
3	3603835	8	2-HOLE PLATE 2”
A	5898300	8	3/8 X 2-1/16 X 6-5/8 SQUARE BEND U-BOLT SS
B	5896406	20	3/8 SAE FLAT WASHER SS
C	5806243	20	3/8 SPLIT LOCKWASHER SS
D	5803638	16	3/8 HEX NUT SILICON BRONZE
E	5896288	4	1/2 X 3 HEX HEAD CAP SCREW SS
F	5836107	4	1/2 NYLOCK HEX NUT ALUM
H	5896400	4	1/2 SAE FLAT WASHER SS
L	5840104	4	3/8 HEX NUT ALUM
M	5896262	4	3/8 X 4-1/2 HEX HEAD CAP SCREW SS

**4.9 #3689609 VL6K / VL6KSR / HVL5K ALUMINUM / VINYL PONTOON / TRITON DECK BRACKET KIT**

REF #	PART #	QTY	DESCRIPTION
-	<b>3636108</b>	<b>1</b>	<b>ALUMINUM / VINYL BUNK BUNDLE</b>
5	3636405	2	AL/VIN BUNK ASSEMBLY
-	<b>3689632</b>	<b>1</b>	<b>AL/VIN PON&amp;TRI TOON DECK BRACKET</b> Carton Of Parts – Consisting Of;
1	3604507	4	BASE SUPPORT BRACKET WELDMENT
2	3689275	4	UPPER ALUM/VINYL SUPPORT BRACKET 19-1/4”
-	<b>3689635</b>	<b>1</b>	<b>AL/VIN PON&amp;TRI TOON DECK BRACKET</b> Bag Of Bolts – Consisting Of;
3	3606921	8	2-HOLE PLATE 3”
A	5895900	8	3/8 X 3-1/8 X 6-5/8 SQUARE BEND U-BOLT SS
B	5896406	20	3/8 SAE FLAT WASHER SS
C	5806243	20	3/8 SPLIT LOCKWASHER SS
D	5803638	16	3/8 HEX NUT SILICON BRONZE
E	5896288	4	1/2 X 3 HEX HEAD CAP SCREW SS
F	5836107	4	1/2 NYLOCK HEX NUT ALUM
H	5896400	4	1/2 SAE FLAT WASHER SS
L	5840104	4	3/8 HEX NUT ALUM
M	5896262	4	3/8 X 4-1/2 HEX HEAD CAP SCREW SS

**4.10 #3689706 VL7K-VL8K ALUMINUM / VINYL PONTOON / TRITON DOUBLE DECK BRACKET KIT**

REF #	PART #	QTY	DESCRIPTION
-	<b>3636108</b>	<b>2</b>	<b>ALUMINUM / VINYL BUNK BUNDLE</b>
5	3636405	4	AL/VIN BUNK ASSEMBLY
-	<b>3689771</b>	<b>1</b>	<b>AL/VIN PON&amp;TRI TOON DECK BRACKET</b> Carton Of Parts – Consisting Of;
1	3604507	8	BASE SUPPORT BRACKET WELDMENT
2	3689275	8	UPPER ALUM/VINYL SUPPORT BRACKET 19-1/4”
-	<b>3689774</b>	<b>1</b>	<b>AL/VIN PON&amp;TRI TOON DECK BRACKET</b> Bag Of Bolts – Consisting Of;
3	3606921	16	2-HOLE PLATE 3”
A	5895901	16	3/8 X 3-1/8 X 8-5/8 SQUARE BEND U-BOLT SS
B	5896406	40	3/8 SAE FLAT WASHER SS
C	5806243	40	3/8 SPLIT LOCKWASHER SS
D	5803638	32	3/8 HEX NUT SILICON BRONZE
E	5896288	8	1/2 X 3 HEX HEAD CAP SCREW SS
F	5836107	8	1/2 NYLOCK HEX NUT ALUM
H	5896400	8	1/2 SAE FLAT WASHER SS
L	5840104	8	3/8 HEX NUT ALUM
M	5896262	8	3/8 X 4-1/2 HEX HEAD CAP SCREW SS

**4.11 #3641077 HVL7K ALUMINUM / VINYL PONTOON / TRITON DOUBLE DECK BRACKET KIT**

REF #	PART #	QTY	DESCRIPTION
-	<b>3636108</b>	<b>2</b>	<b>ALUMINUM / VINYL BUNK BUNDLE</b>
5	3636405	4	AL/VIN BUNK ASSEMBLY
-	<b>3641266</b>	<b>1</b>	<b>AL/VIN PON&amp;TRI TOON DECK BRACKET</b> Carton Of Parts – Consisting Of;
1	3604507	8	BASE SUPPORT BRACKET WELDMENT
2	3689275	8	UPPER ALUM/VINYL SUPPORT BRACKET 19-1/4”
-	<b>3641268</b>	<b>1</b>	<b>AL/VIN PON&amp;TRI TOON DECK BRACKET</b> Bag Of Bolts – Consisting Of;
3	3606921	8	2-HOLE PLATE 3”
4	3603835	8	2-HOLE PLATE 2”
A	5895901	8	3/8 X 3-1/8 X 8-5/8 SQUARE BEND U-BOLT SS
B	5896406	40	3/8 SAE FLAT WASHER SS
C	5806243	40	3/8 SPLIT LOCKWASHER SS
D	5803638	32	3/8 HEX NUT SILICON BRONZE
E	5896288	8	1/2 X 3 HEX HEAD CAP SCREW SS
F	5836107	8	1/2 NYLOCK HEX NUT ALUM
H	5896400	8	1/2 SAE FLAT WASHER SS
K	5895905	8	3/8 X 2-1/8 X 8-5/8 SQUARE BEND U-BOLT SS
L	5840104	8	3/8 HEX NUT ALUM
M	5896262	8	3/8 X 4-1/2 HEX HEAD CAP SCREW SS

## **TWO YEAR LIMITED WARRANTY**

### **Reimann & Georger Corporation Marine Products**

This product is warranted by RGC® Marine Products to the original purchaser to be free from defects in material and workmanship under normal use for a period of two years from the date of purchase.

During the warranty period, and upon proof of purchase, the product will be repaired or replaced (with the same or similar model) at our option, without charge for either parts or labor when serviced at RGC® Marine Products.

Upon completion of repair, the unit will be returned to the customer freight prepaid. The warranty will not apply to this product if it has been misused, abused, or altered.

NEITHER THIS WARRANTY OR ANY OTHER WARRANTY, EXPRESS OR IMPLIED, INCLUDING IMPLIED WARRANTIES OF MERCHANTABILITY, SHALL EXTEND BEYOND THE WARRANTY PERIOD. NO RESPONSIBILITY IS ASSUMED FOR ANY INCIDENTAL OR CONSEQUENTIAL DAMAGES. SOME STATES DO NOT ALLOW EXCLUSION OR LIMITATION OF INCIDENTAL OR CONSEQUENTIAL DAMAGES, SO THE ABOVE LIMITATIONS OR EXCLUSIONS MAY NOT APPLY TO YOU.

This warranty gives you specific legal rights, and you may also have other rights which vary from state to state.