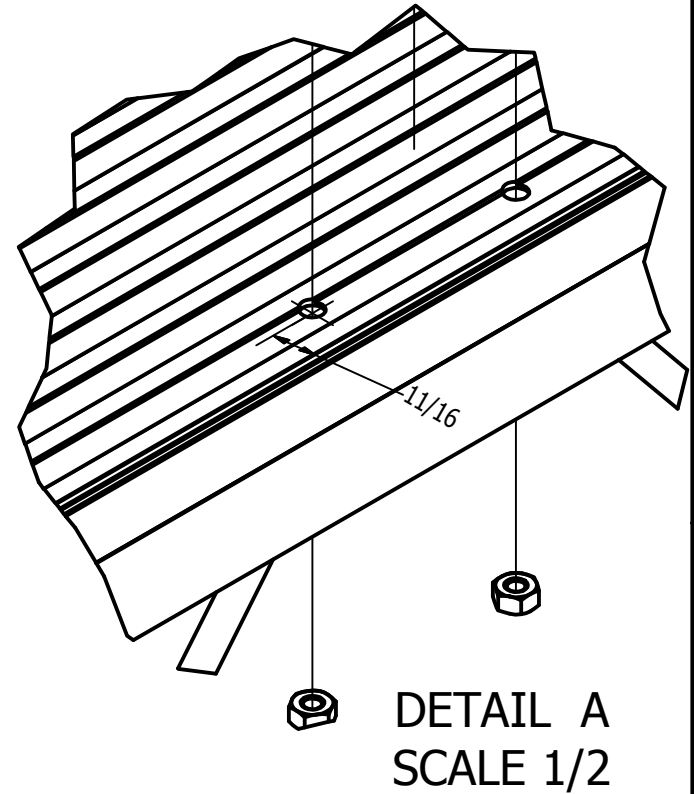
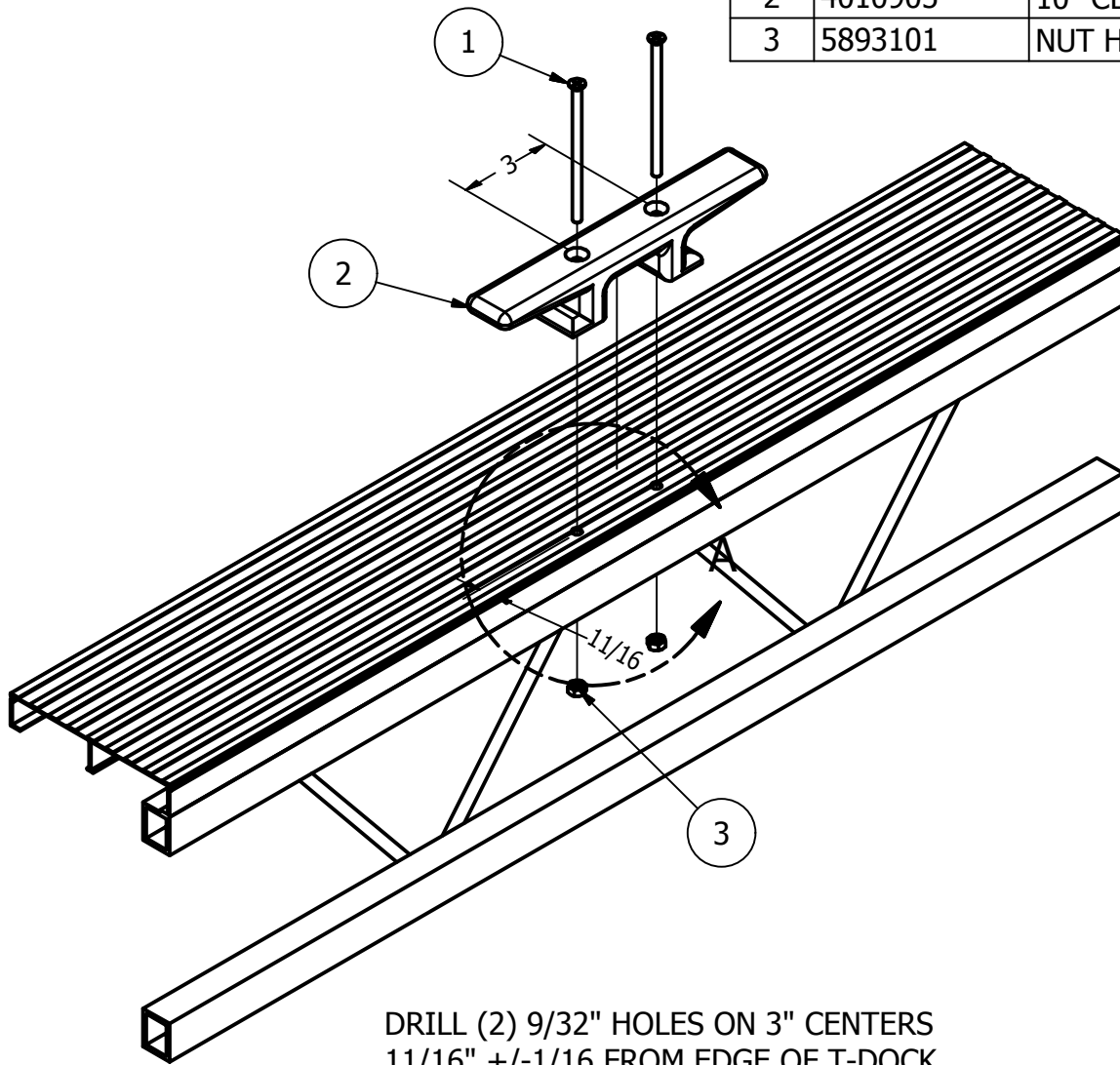


ITEM	PART NUMBER	DESCRIPTION	QTY	BASE UNIT
1	X	SCREW FH 1/4-20 X 4-1/2 SS PHIL	2	Each
2	4010905	10" CLEAT	1	Each
3	5893101	NUT HEX NYLOCK 1/4-20 SS	2	Each



DRILL (2) 9/32" HOLES ON 3" CENTERS
11/16" +/- 1/16 FROM EDGE OF T-DOCK

CONFIDENTIAL/PROPRIETARY INFORMATION. THIS DRAWING IS THE PROPERTY OF RGC AND IS FURNISHED FOR PURPOSES OF MANUFACTURING AND SHALL NOT BE USED/DISCLOSED BY RECIPIENT FOR ANY OTHER PURPOSE WHATSOEVER.

MATERIAL
TOLERANCES UNLESS SPECIFIED
ANGLES =+/- .5 DEG
FRACTIONS =+/- 1/16
.XXX =+/- .005
.XX =+/- .01
.X =+/- .03

INT	DATE
DRAWN BY PDJ	4/12/2012
CHECKED BY PDJ	4/12/2012
APPRVD BY PDJ	4/12/2012



T-DOCK CLEAT INSTALLATION

SCALE	SIZE	DWG NO.	REV
PAGE 1 OF 1	A	KLEET ASSEMBLY	1