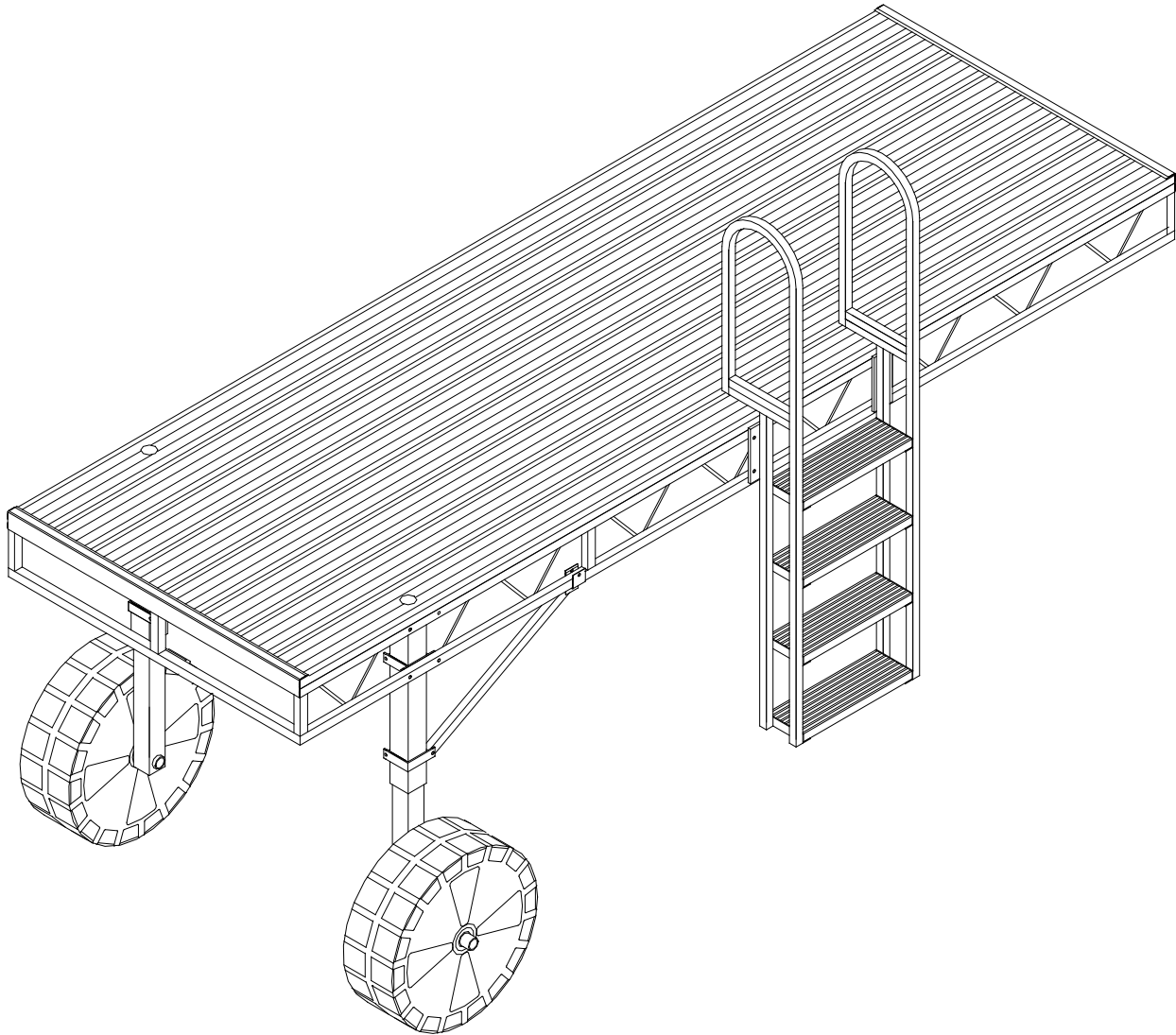




# TRUSS DOCK LADDER INSTRUCTIONS

(Applies to P/Ns 4013106 & 4013109)



REIMANN & GEORGER CORPORATION  
MARINE PRODUCTS  
P/N 6112210

BUFFALO, NY  
04/23/18

# 1 INSTALLATION

## LADDER ASSEMBLY INSTRUCTIONS



### WARNING:

FAILURE TO APPLY A SUITABLE LUBRICANT TO THE MATING SURFACES OF STAINLESS STEEL THREADED FASTENERS MAY CAUSE GALLING AND/OR SEIZING OF ASSEMBLY.

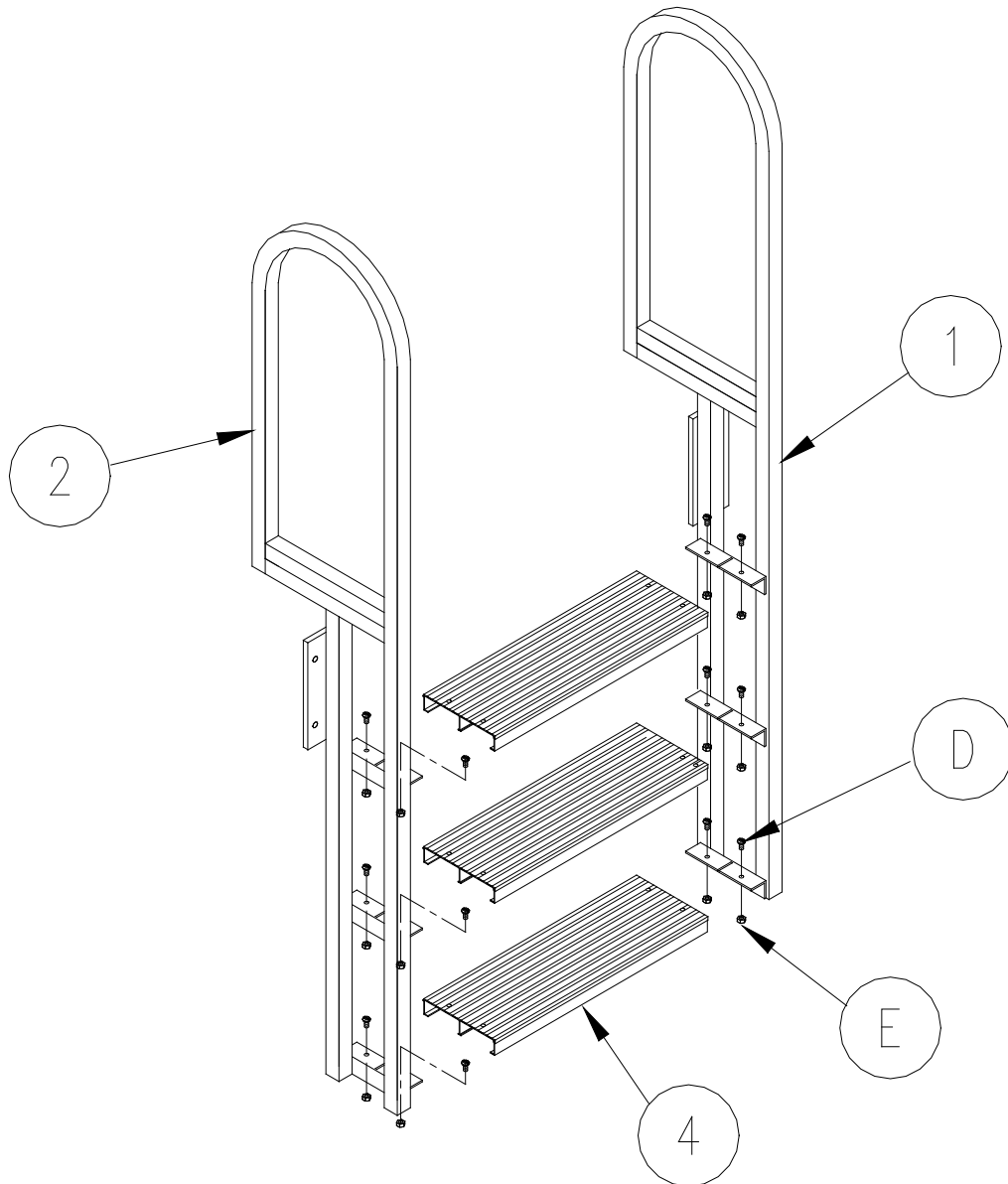
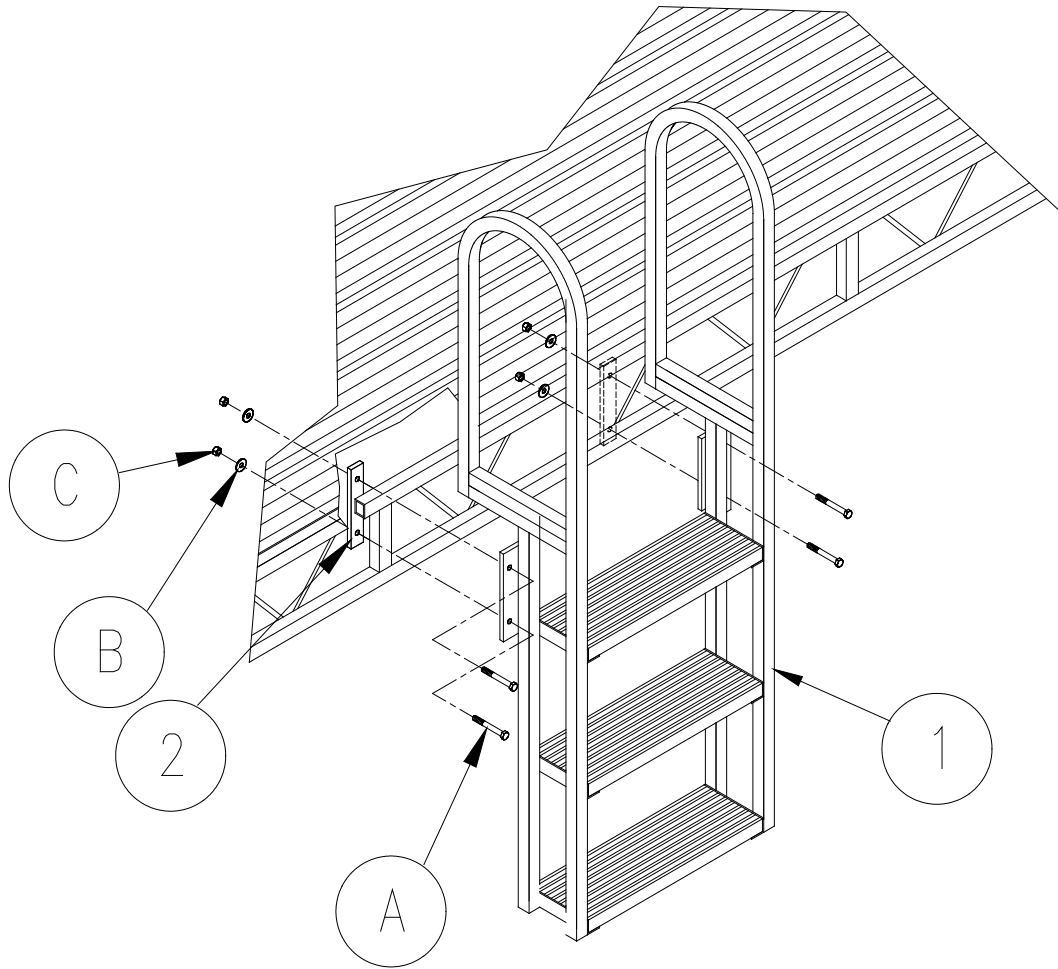


Figure 1-1  
T-Dock Ladder Assembly



**Figure 1-2**  
T-Dock Ladder Mount to Dock

## 2 PARTS LISTS

Each reference number in the following parts lists can be matched with the reference number in both the text and illustrations of Section 1, Installation.

### 2.1 4013106 T-DOCK LADDER 3 STEP

REF #	PART #	QTY	DESCRIPTION
1	4013305	1	T-DOCK LADDER WELDMENT 3-STEP RH
3	4013326	1	T-DOCK LADDER WELDMENT 3-STEP LH
4	4013415	3	T-DOCK LADDER TREAD 18"
	<b>4013202</b>	<b>1</b>	<b>T-DOCK LADDER MTG HARDWARE includes the following:</b>
2	4013526	2	T-DOCK MOUNT CLAMP
A	5896323	4	CARRIAGE BOLT 3/8-16 X 2-1/2 SS
B	5896406	8	WASHER FLAT SAE 3/8" SS
C	5840103	4	NUT HEX NYLOCK 3/8-16 ALUM
D	5806241	12	SCREW PH MS 1/4-20X1/2 PHIL SS
E	5893101	12	NUT HEX NYLOCK 1/4-20 SS

### 2.2 4013109 T-DOCK LADDER 4 STEP

REF #	PART #	QTY	DESCRIPTION
1	4013308	1	T-DOCK LADDER WELDMENT 4-STEP RH
3	4013329	1	T-DOCK LADDER WELDMENT 4-STEP LH
4	4013415	4	T-DOCK LADDER TREAD 18"
	<b>4013202</b>	<b>1</b>	<b>T-DOCK LADDER MTG HARDWARE includes the following:</b>
2	4013526	2	T-DOCK MOUNT CLAMP
A	5896323	4	CARRIAGE BOLT 3/8-16 X 2-1/2 SS
B	5896406	8	WASHER FLAT SAE 3/8" SS
C	5840103	4	NUT HEX NYLOCK 3/8-16 ALUM
D	5806241	16	SCREW PH MS 1/4-20X1/2 PHIL SS
E	5893101	16	NUT HEX NYLOCK 1/4-20 SS

## **TWO YEAR LIMITED WARRANTY**

### **Reimann & Georger Corporation Marine Products**

This product is warranted by RGC® Marine Products to the original purchaser to be free from defects in material and workmanship under normal use for a period of two years from the date of purchase.

During the warranty period, and upon proof of purchase, the product will be repaired or replaced (with the same or similar model) at our option, without charge for either parts or labor when serviced at RGC® Marine Products.

Upon completion of repair, the unit will be returned to the customer freight prepaid. The warranty will not apply to this product if it has been misused, abused, or altered.

NEITHER THIS WARRANTY OR ANY OTHER WARRANTY, EXPRESS OR IMPLIED, INCLUDING IMPLIED WARRANTIES OF MERCHANTABILITY, SHALL EXTEND BEYOND THE WARRANTY PERIOD. NO RESPONSIBILITY IS ASSUMED FOR ANY INCIDENTAL OR CONSEQUENTIAL DAMAGES. SOME STATES DO NOT ALLOW EXCLUSION OR LIMITATION OF INCIDENTAL OR CONSEQUENTIAL DAMAGES, SO THE ABOVE LIMITATIONS OR EXCLUSIONS MAY NOT APPLY TO YOU.

This warranty gives you specific legal rights, and you may also have other rights which vary from state to state.