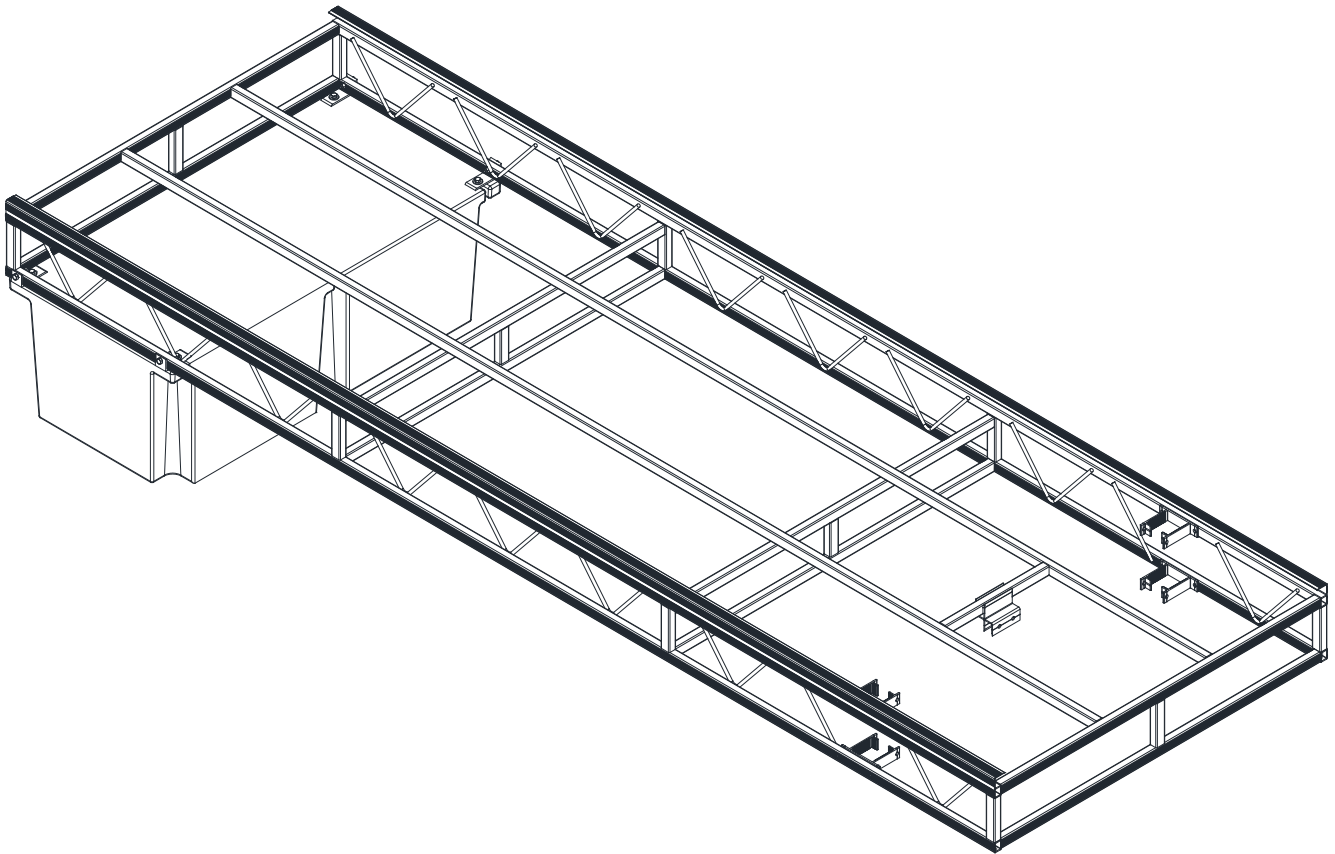




# TRUSS DOCK FLOAT KIT

## INSTRUCTIONS

(Applies to P/N 4013139)



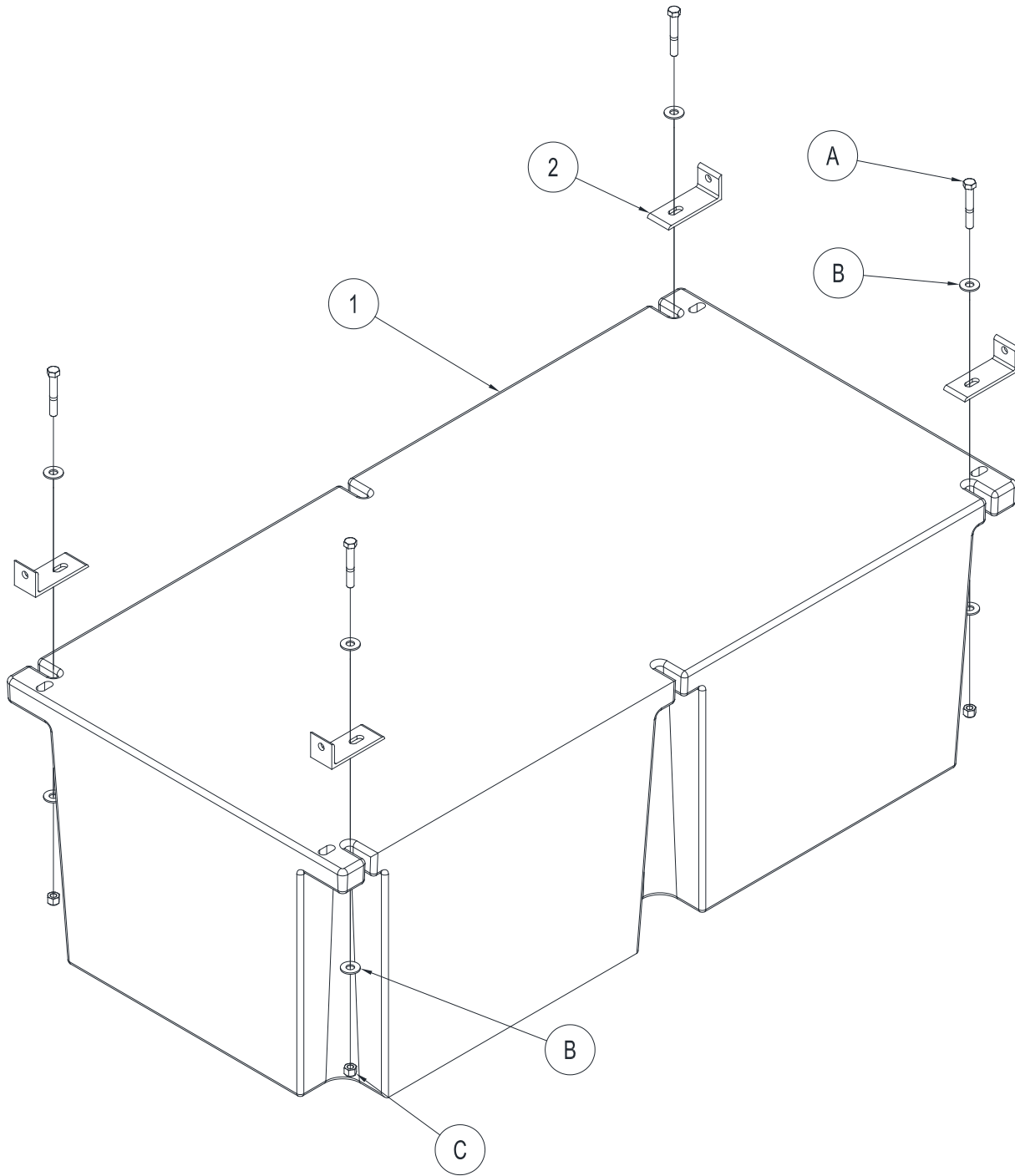
REIMANN & GEORGER CORPORATION  
MARINE PRODUCTS  
P/N 6112211

BUFFALO, NY  
04/23/18

# 1. INSTALLATION

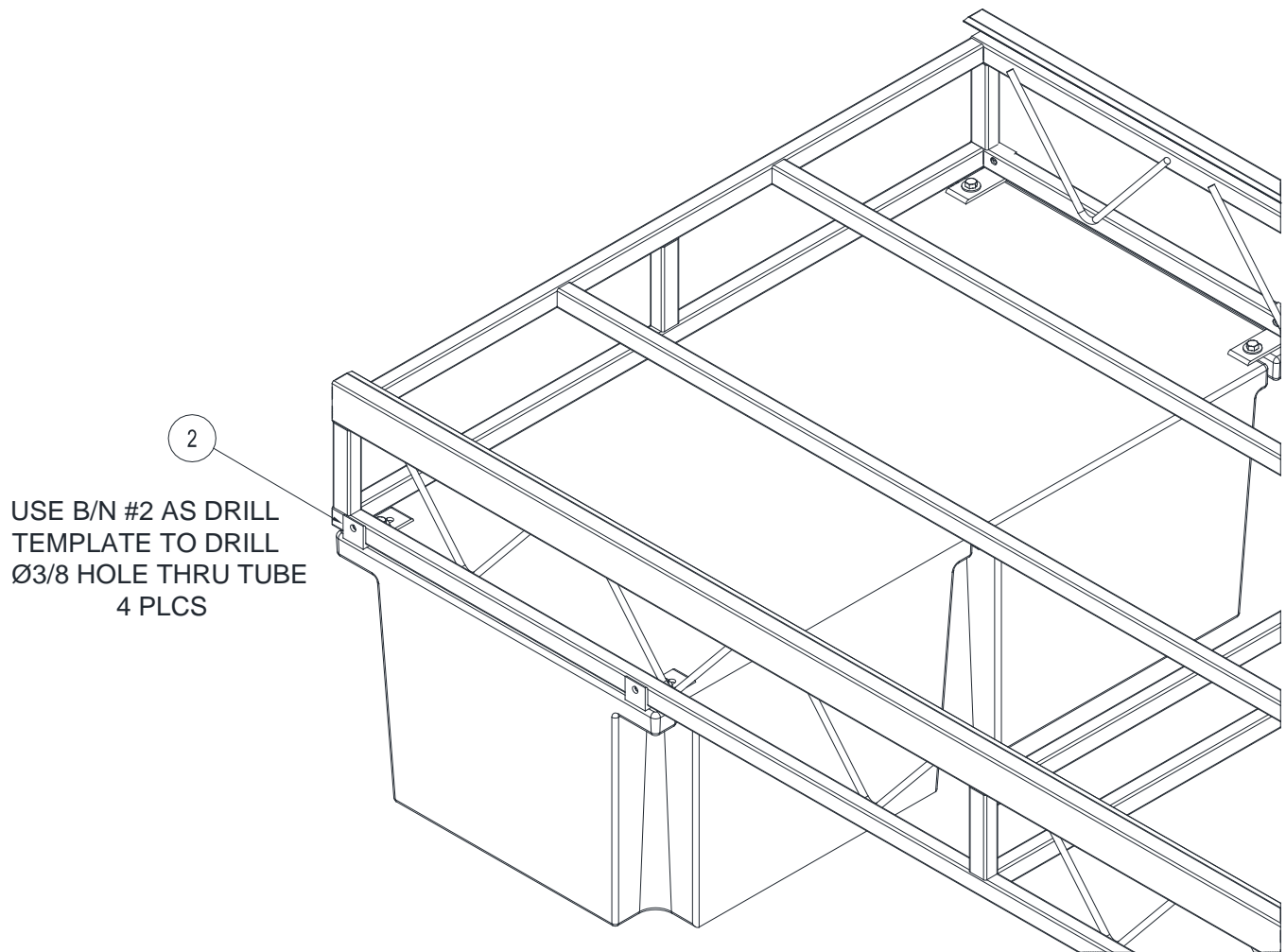
## 1.1 MOUNTING FLOATS TO 4' WIDE T-DOCKS

1. Loosely mount hardware from T-Dock Float BOB to float (item #1) as shown in figure 1-1.



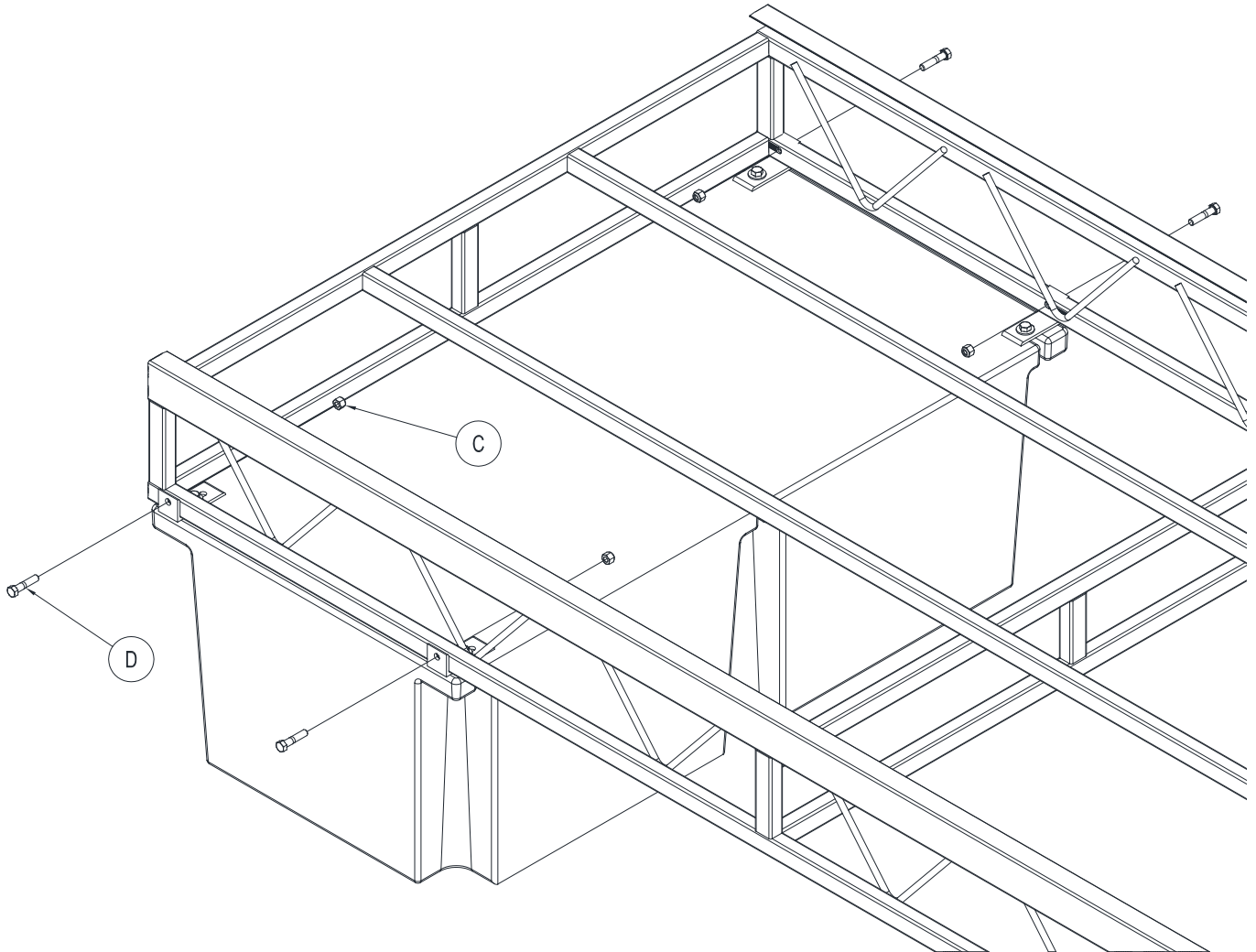
**Figure 1-1**  
T-Dock Float Kit Sub-Assembly

2. Position Float Assembly onto T-Dock. Use Item #2 as a template to drill (4) 13/32" holes through T-Dock tube as shown in figure 1-2.



**Figure 1-2**  
**T-Dock Float Assembly**

3. Attach 2' x 4' Float to 4' wide T-Dock as shown in figure 1-3.



**Figure 1-3**  
T-Dock Hinge Assembly Layout

## 2 PARTS LISTS

Each reference number in the following parts lists can be matched with the reference number in both the text and illustrations of Section 1, Installation.

### 2.1 4013016 T-DOCK FLOAT KIT 2' X 4'

REF #	PART #	QTY	DESCRIPTION
1	6402416	1	FLOATER 2' X 4' X 16" NOMINAL
-	4013139	1	T-DOCK FLOAT KIT 4' COP

### 2.2 4013139 T-DOCK FLOAT 4' COP

REF #	PART #	QTY	DESCRIPTION
-	4013238	1	T-DOCK FLOAT KIT 4' BOB
2	4013748	4	T-DOCK FLOAT BRACKET

### 2.3 4013238 T-DOCK FLOAT KIT 4' BOB

REF #	PART #	QTY	DESCRIPTION
A	5896253	4	3/8-16 X 2-1/2 SS HEX BOLT
B	5896406	16	3/8 SS FLAT WASHER
C	5840103	8	3/8-16 ALUMINUM NYLOCK HEX NUT
D	5896250	4	3/8-16 X 1-3/4 SS HEX BOLT

## **TWO YEAR LIMITED WARRANTY**

### **Reimann & Georger Corporation Marine Products**

This product is warranted by RGC® Marine Products to the original purchaser to be free from defects in material and workmanship under normal use for a period of two years from the date of purchase.

During the warranty period, and upon proof of purchase, the product will be repaired or replaced (with the same or similar model) at our option, without charge for either parts or labor when serviced at RGC® Marine Products.

Upon completion of repair, the unit will be returned to the customer freight prepaid. The warranty will not apply to this product if it has been misused, abused, or altered.

NEITHER THIS WARRANTY OR ANY OTHER WARRANTY, EXPRESS OR IMPLIED, INCLUDING IMPLIED WARRANTIES OF MERCHANTABILITY, SHALL EXTEND BEYOND THE WARRANTY PERIOD. NO RESPONSIBILITY IS ASSUMED FOR ANY INCIDENTAL OR CONSEQUENTIAL DAMAGES. SOME STATES DO NOT ALLOW EXCLUSION OR LIMITATION OF INCIDENTAL OR CONSEQUENTIAL DAMAGES, SO THE ABOVE LIMITATIONS OR EXCLUSIONS MAY NOT APPLY TO YOU.

This warranty gives you specific legal rights, and you may also have other rights which vary from state to state.