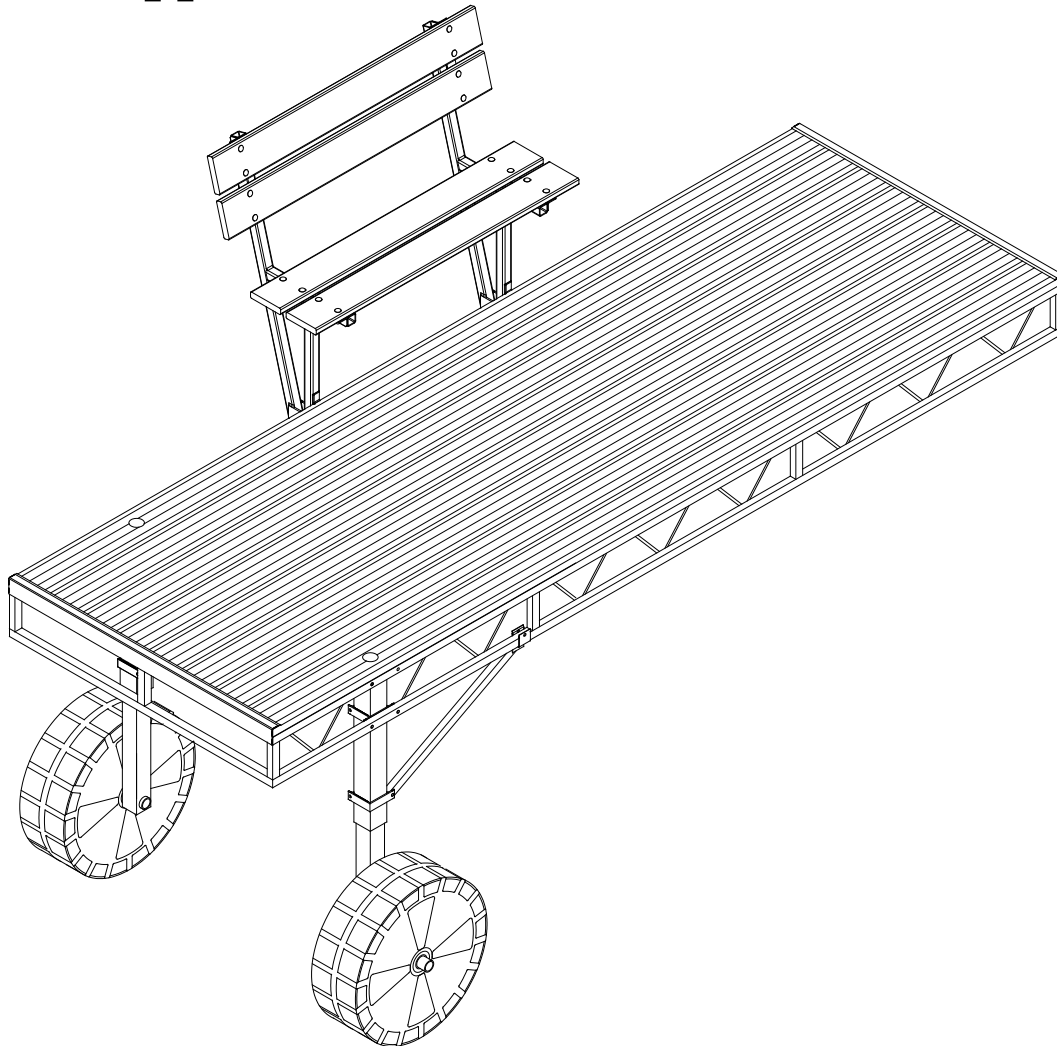




TRUSS DOCK BENCH INSTRUCTIONS

(Applies to P/N 4013133 & 4013103)



REIMANN & GEORGER CORPORATION
MARINE PRODUCTS
P/N 6112215

BUFFALO, NY
04/23/18

1 INSTALLATION AND SETUP

1.1 PRE-INSTALLATION CHECKS

1. Check the packing list to ensure that you have all the parts for the dock configuration you are planning to build. Ensure you have the desired type of deck.
2. If any parts are missing or damaged, contact your local supplier or Reimann & Georger Corporation. Do NOT assemble the dock if any part shows any signs of damage.
3. Do not weld or otherwise modify any part of the dock assembly. Such alterations may weaken the structural integrity of the dock and void the warranty.

1.2 BENCH ASSEMBLY INSTRUCTIONS



WARNING:

FAILURE TO APPLY A SUITABLE LUBRICANT TO THE MATING SURFACES OF STAINLESS STEEL THREADED FASTENERS MAY CAUSE GALLING AND/OR SEIZING OF ASSEMBLY.

1. The dock bench is available in either cedar or aluminum. These instructions show the installation procedures for both bench styles.
2. Figure 1-1 shows the assembly of the cedar bench panel.

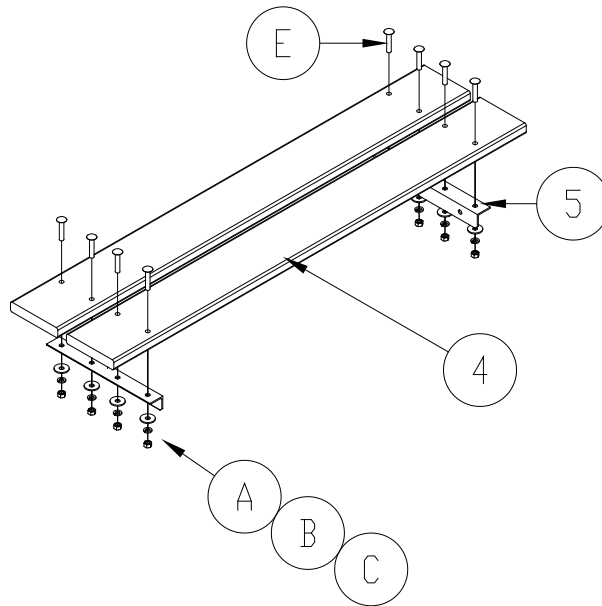


Figure 1-1
Cedar Panel Assembly

3. Figures 1-2 & 1-3 show the mounting of the bench panels onto the frames.
4. Mount the panels onto the frames as shown in Figure 1-2 and fasten into place using the necessary hardware as shown in Figure 1-3.
5. The cedar bench gets a strap that is screwed into place using 8 screws as shown below in Figure 1-3. Figure 1-2 shows the placement of the strap.

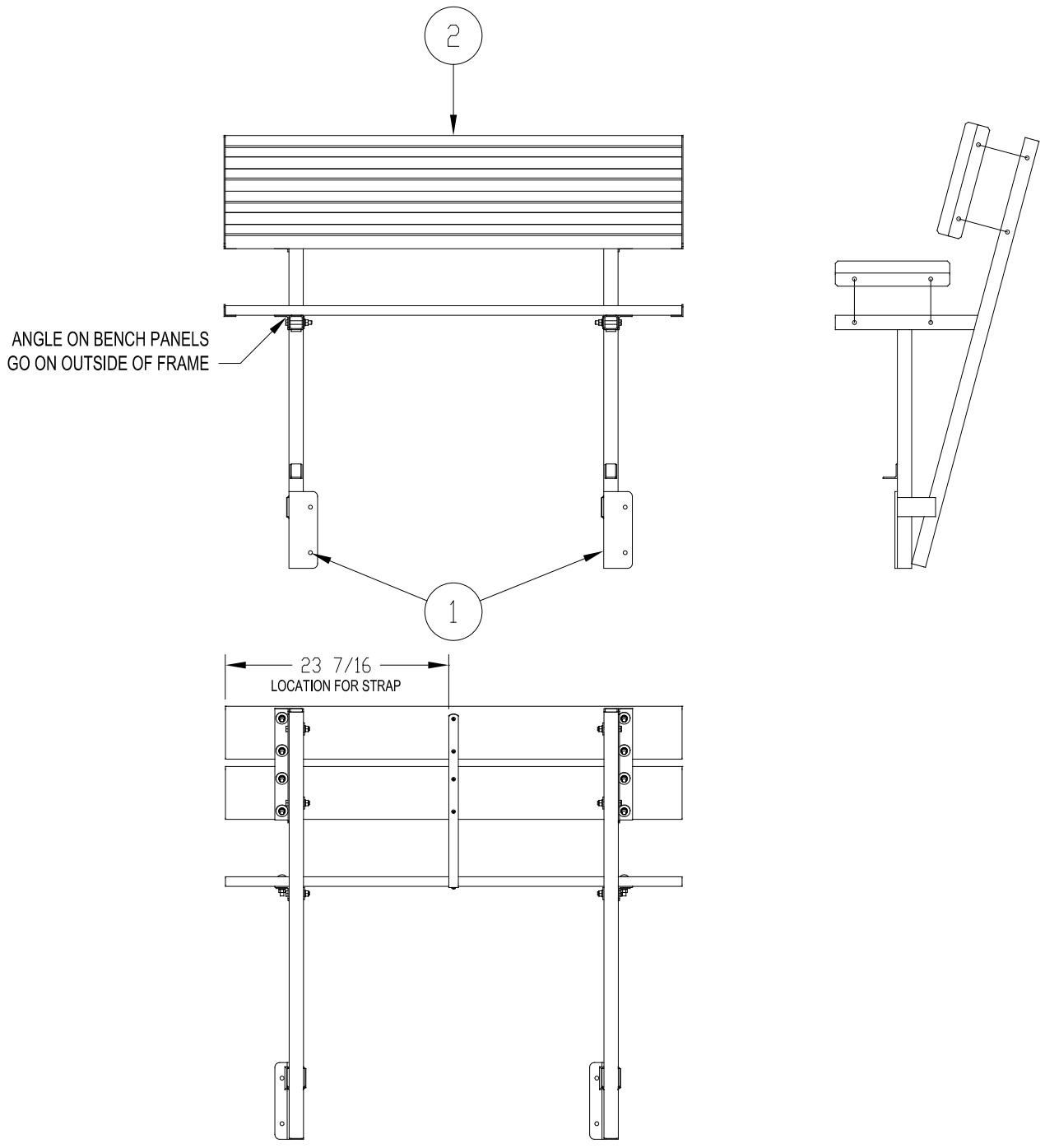


Figure 1-2 Bench Assembly

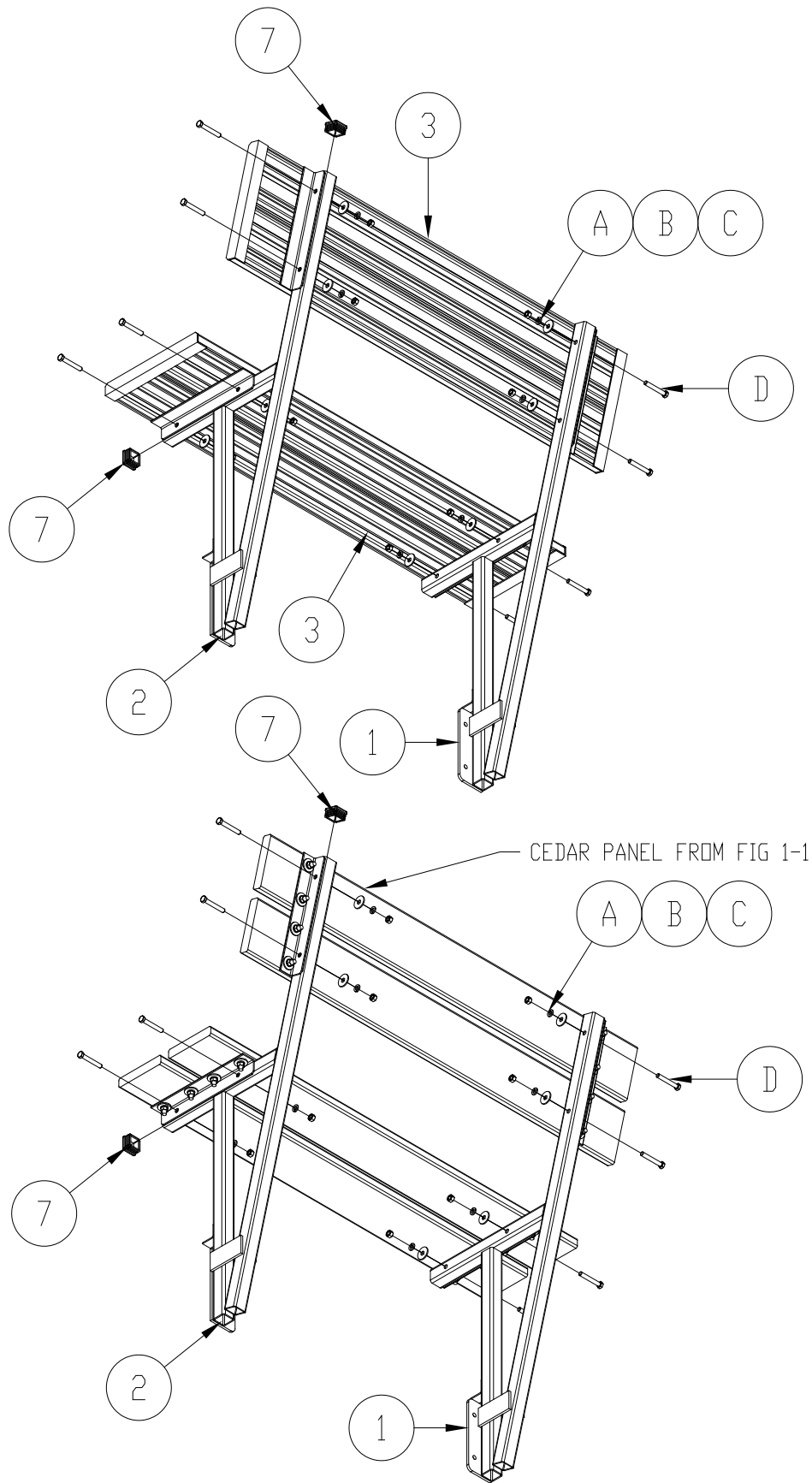


Figure 1-3
Aluminum Bench Assembly
Cedar Bench Assembly

6. Mount the assembled bench onto the dock as shown in Figure 1-4. Fasten into place using the hardware and mount plates as shown.

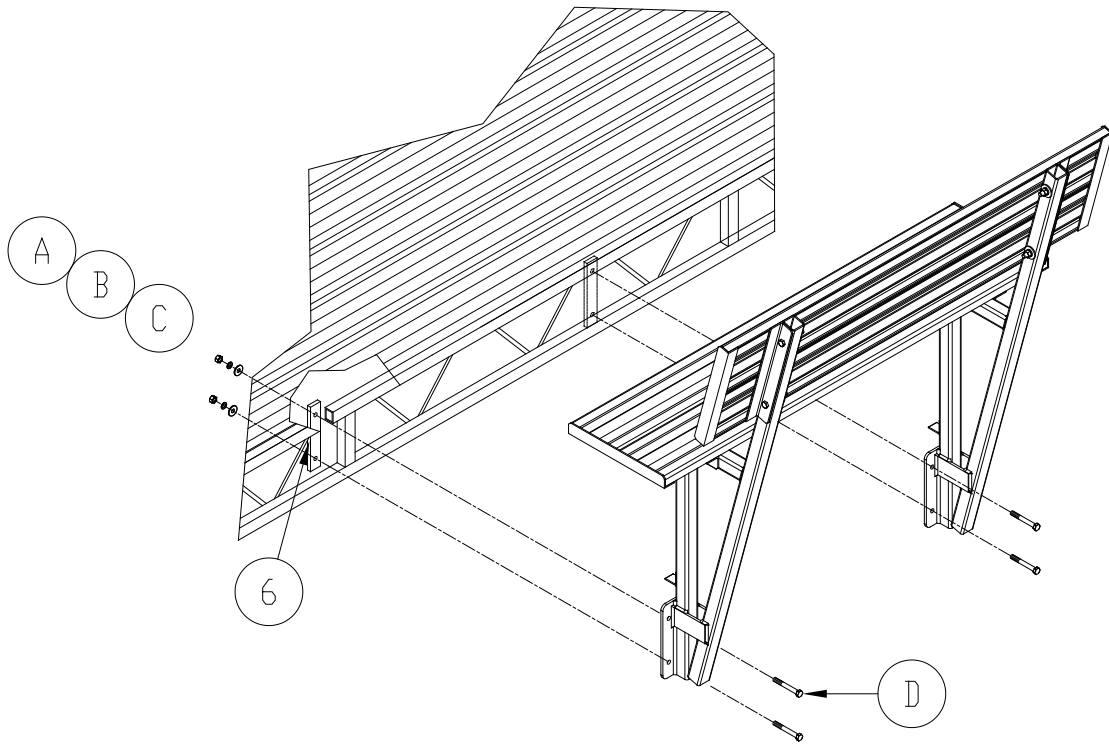


Figure 1-4
Mounting Bench onto Dock

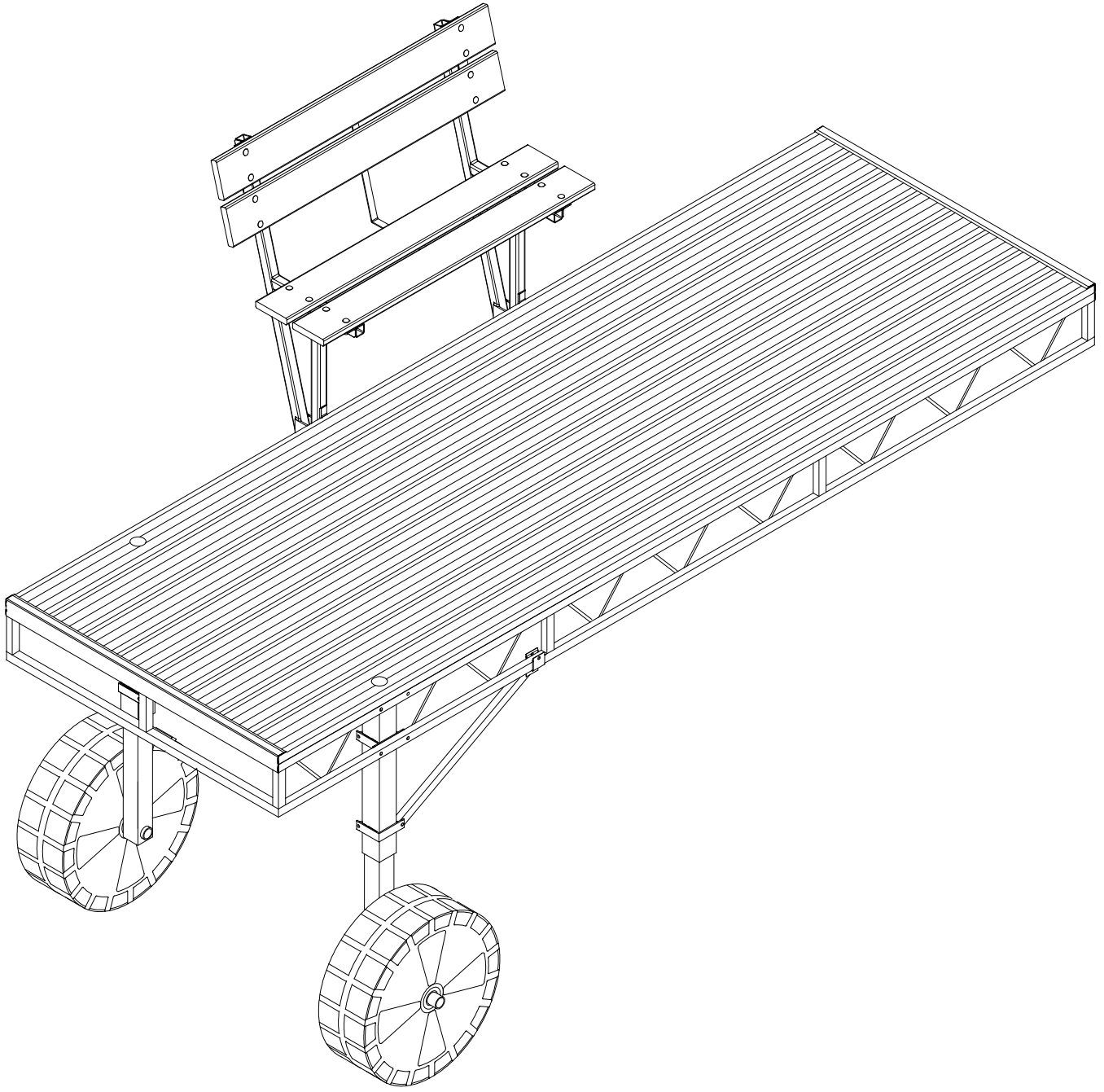


Figure 1-5a
Cedar Bench Assembly on Dock

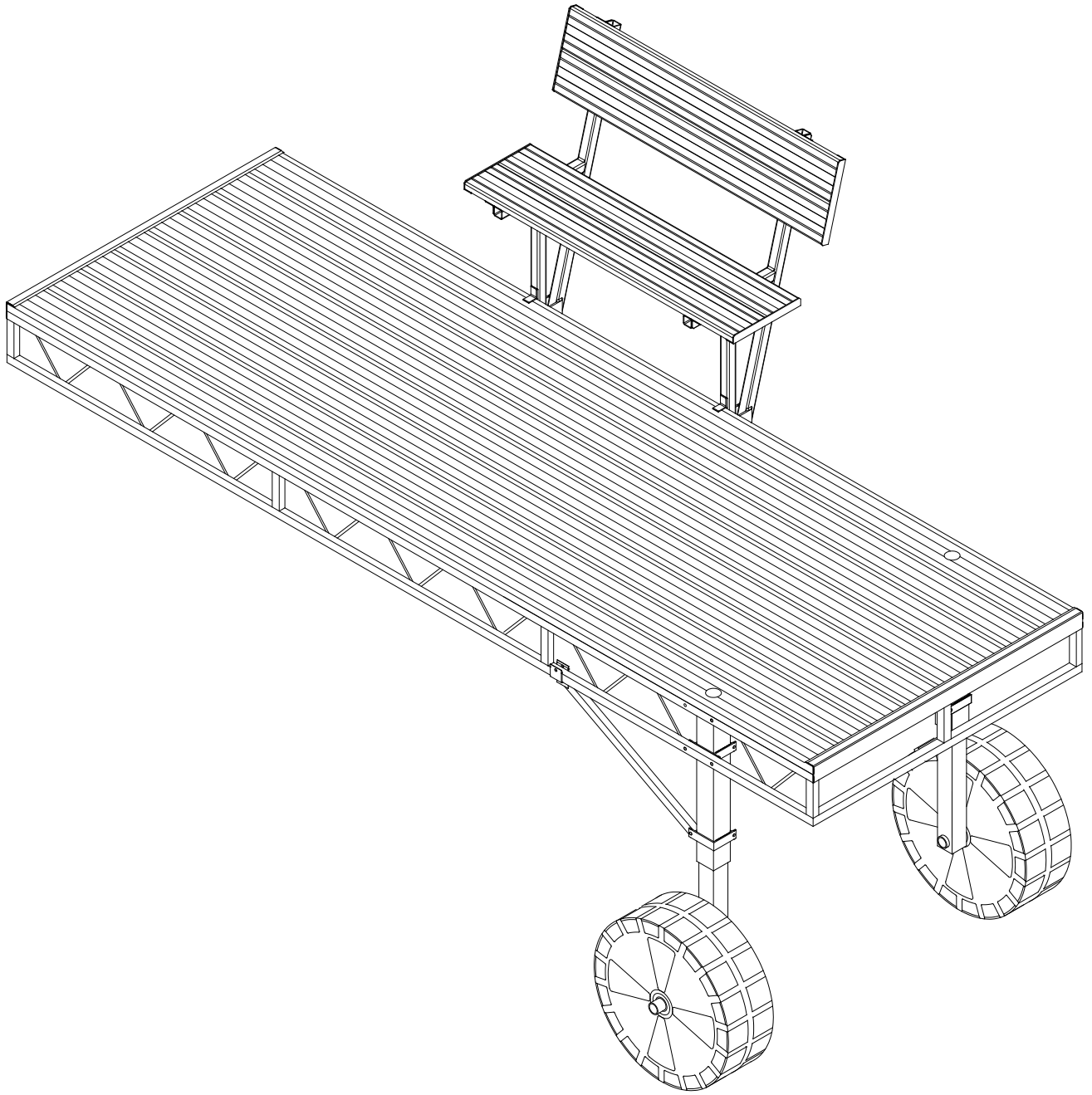


Figure 1-5b
Aluminum Bench Assembly on Dock

2 PARTS LISTS

Each reference number in the following parts lists can be matched with the reference number in both the text and illustrations of Chapter 3, Installation and Setup.

2.1 4013133 T-DOCK BENCH CEDAR

REF #	PART #	QTY	DESCRIPTION
1	4013344	2	T-DOCK BENCH LEG FRAME
3	4013739	1	T-DOCK BENCH SUPPORT STRAP
4	4013742	4	T-DOCK BENCH CEDAR PANEL
5	4013736	4	T-DOCK BENCH CEDAR MOUNT ANGLE
6	4013526	2	T-DOCK STAIR MNT CLAMP
	4013220	1	T-DOCK CEDAR BENCH BAG OF BOLTS includes the following:
A	5840104	28	NUT HEX 3/8-16 ALUM
B	5896406	28	WASHER FLAT SAE 3/8 SS
C	5806243	28	WASHER SPLIT LOCK 3/8 SS
D	5896253	12	HHCS 3/8-16 X 2-1/2 SS
E	5894009	16	CARRIAGE BOLT 3/8-16 X 2 SS
F	5894005	8	SCREW SELF-DRILL PH#10 X 3/4SS

2.2 4013103 T-DOCK BENCH ALUMINUM

REF #	PART #	QTY	DESCRIPTION
1	4013344	2	T-DOCK BENCH FRAME LEG FRAME
2	4013226	2	T-DOCK BENCH ALUMINUM PANEL
6	4013526	2	T-DOCK STAIR MNT CLAMP
	4013217	1	T-DOCK ALUMINUM BENCH BAG OF BOLTS includes the following:
A	5840104	12	NUT HEX 3/8-16 ALUM
B	5896406	12	WASHER FLAT SAE 3/8 SS
C	5806243	12	WASHER SPLIT LOCK 3/8 SS
D	5896253	12	HHCS 3/8-16 X 2-1/2 SS
	4013223	1	T-DOCK BENCH CAP BAG
7	6403799	4	PLUG RIBBED SQ 1-1/2 X 5/8 BLACK