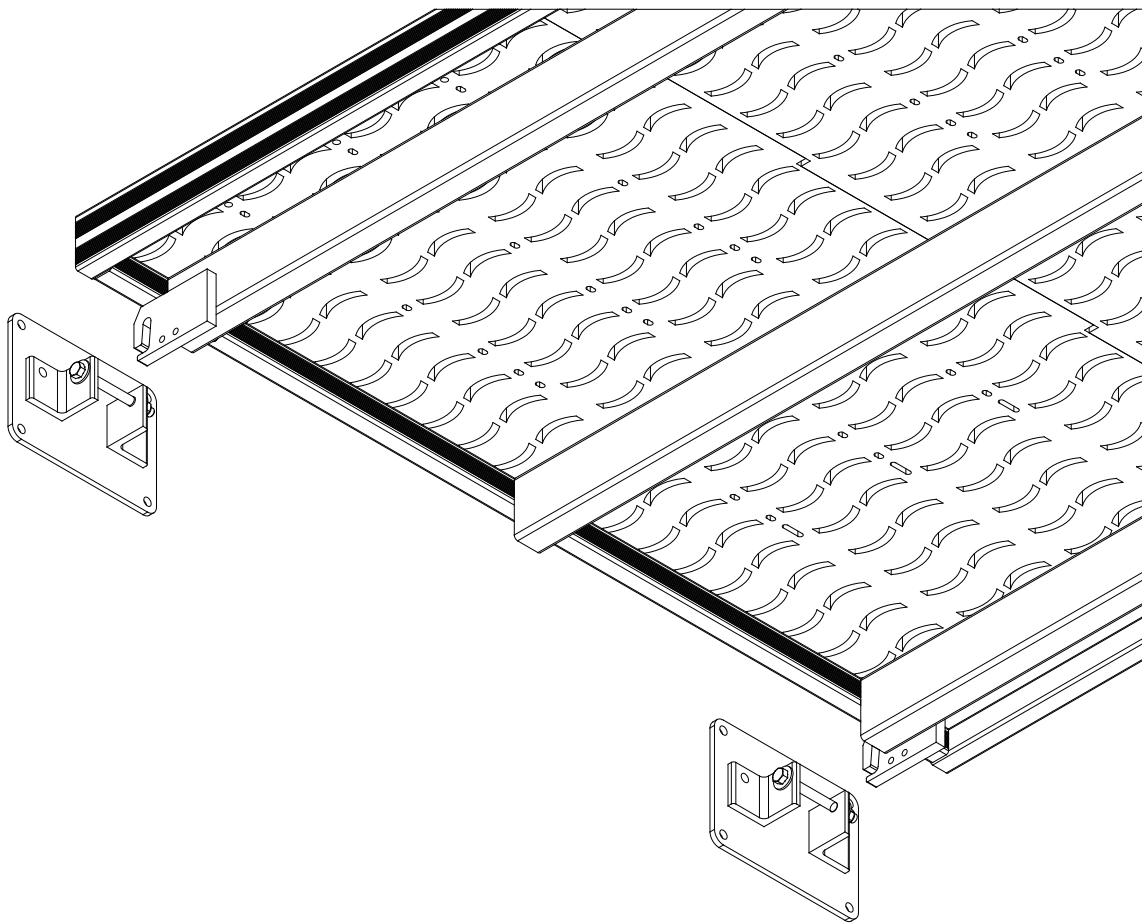




# TRUSS DOCK RAMP SEAWALL HINGE STATIONARY & FLOATING DOCK INSTRUCTIONS (Applies to P/N 4013136)



REIMANN & GEORGER CORPORATION  
MARINE PRODUCTS  
P/N 6112213

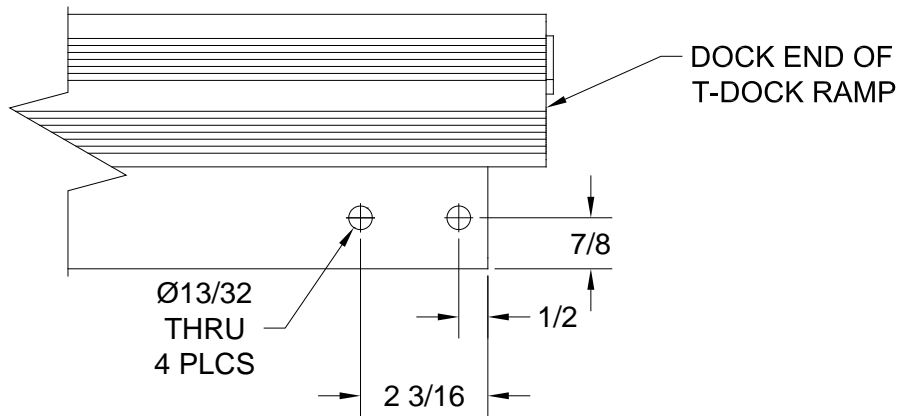
BUFFALO, NY  
05/14/18

# 1 INSTALLATION

## 1.1 T-DOCK STATIONARY RAMP SEAWALL HINGE BRACKET W/HOOK BOTH ENDS (Stationary docks only)

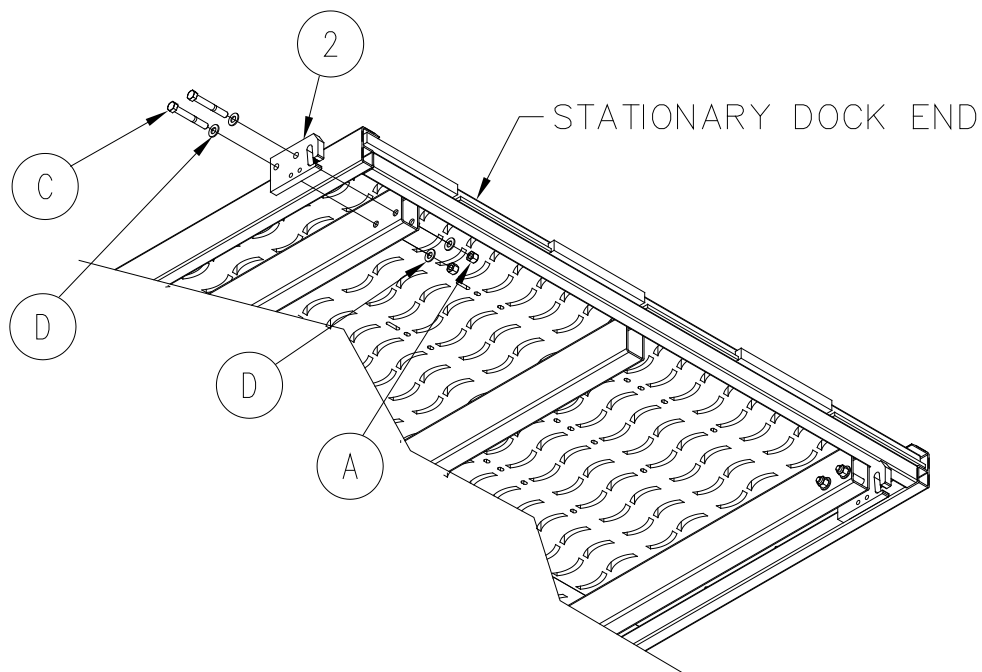
**NOTE: Instructions for Ramp used with stationary leg docks. See instructions in next section 1.2 for mounting to floating docks.**

1. Drill (4) 13/32" holes in the outer support tubes on stationary dock end of the T-Dock Ramp as shown in Figure 1.1.



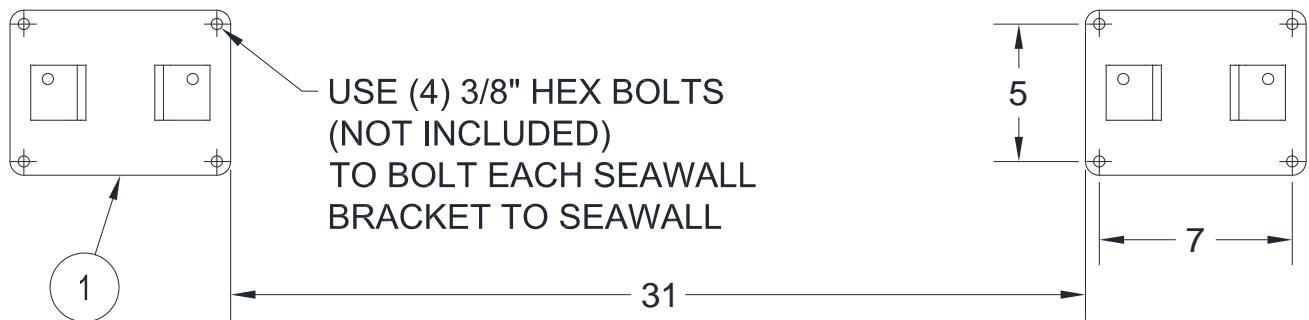
**Figure 1-1**  
T-Dock Ramp Seawall Hook Plate Mounting (Stationary Dock Only)

2. Bolt (2) T-Dock Ramp Seawall Hinge Plates (B/N 2) to the dock end of the T-Dock Ramp using the drilled holes and hardware specified in Figure 1-2.



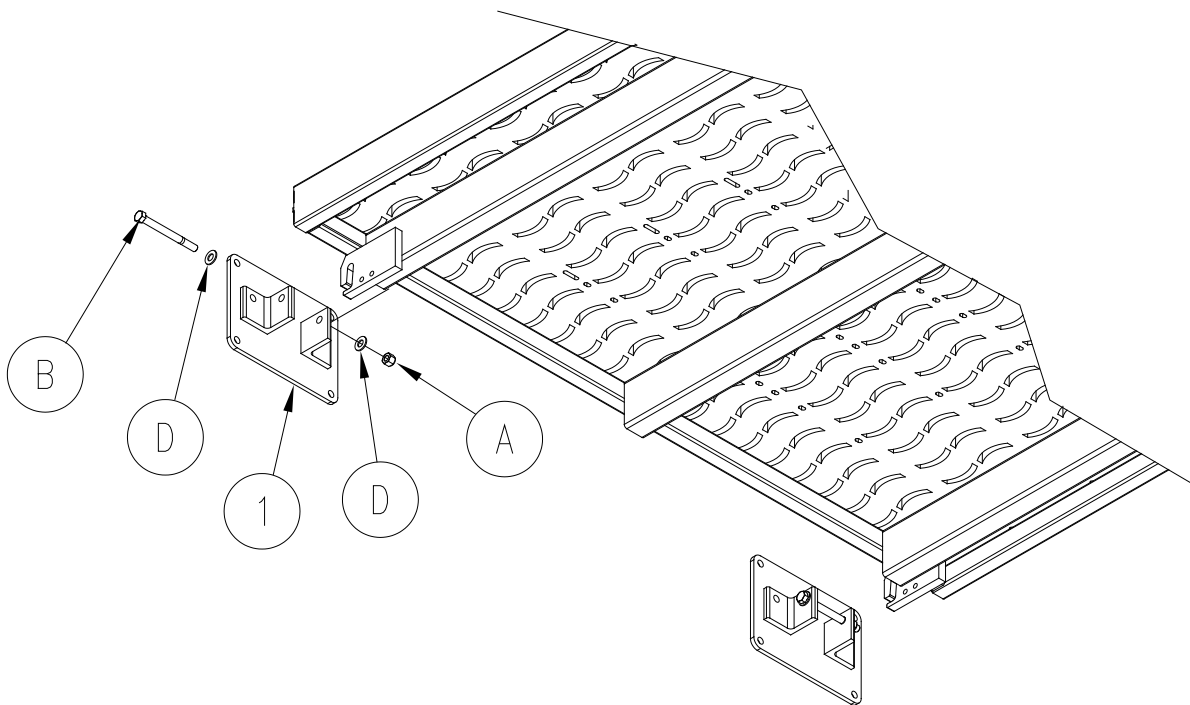
**Figure 1-2**  
T-Dock Ramp Seawall Hinge Plate Mounting

3. Mount (2) T-Dock Ramp Seawall Brackets (B/N 1) to seawall using 3/8" hex bolts (not included) so that the angle between the T-Dock Ramp and the Dock does not exceed 9 degrees. The location to mount the brackets is shown in Figure 1-3.



**Figure 1-3**  
T-Dock Ramp Seawall Mounting

4. Attach hardware to Seawall Brackets (B/N 1) as shown in Figure 1-4. Attach T-Dock Ramp to brackets by lining the slot in the hinge plates (B/N 2) with the hex bolt (B/N B) in seawall brackets.

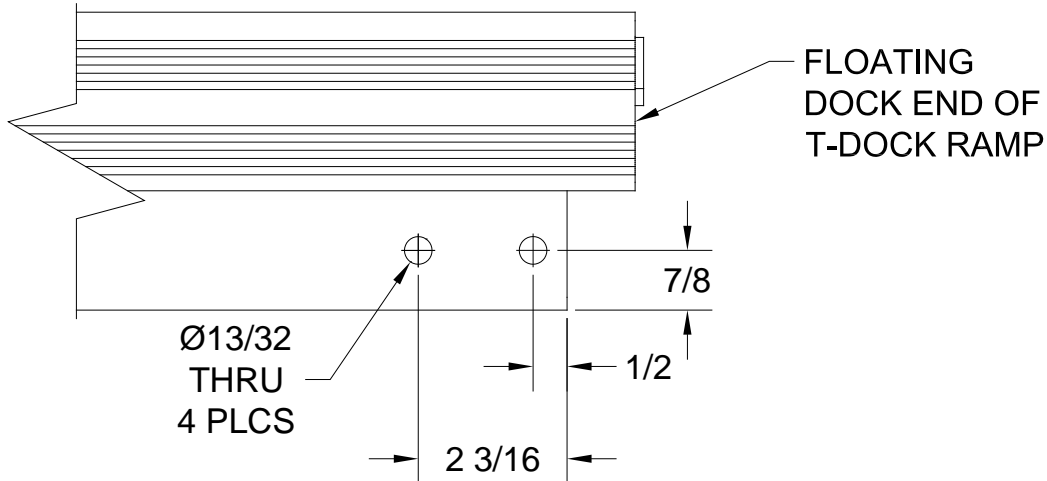


**Figure 1-4**  
T-Dock Ramp Seawall Mounting (Stationary Dock only)

**1.2 T-DOCK FLOATING RAMP SEAWALL HINGE BRACKET W/ROLLER ONE END (Floating docks only)**

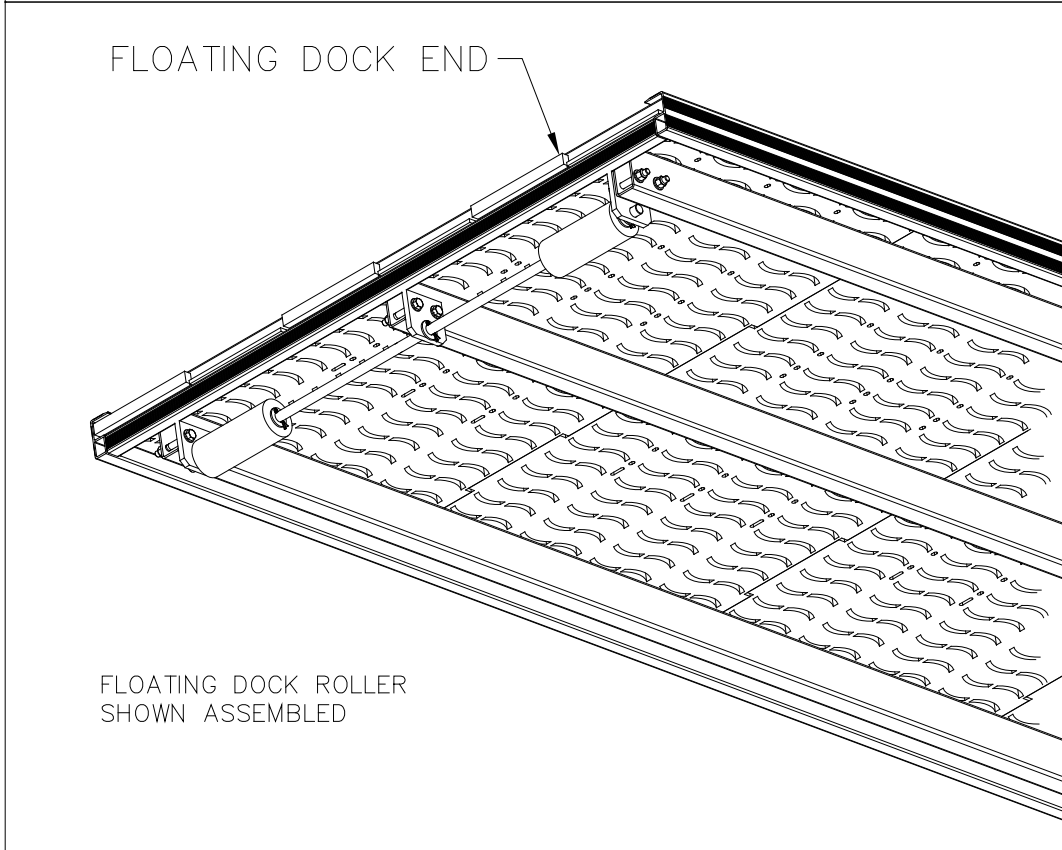
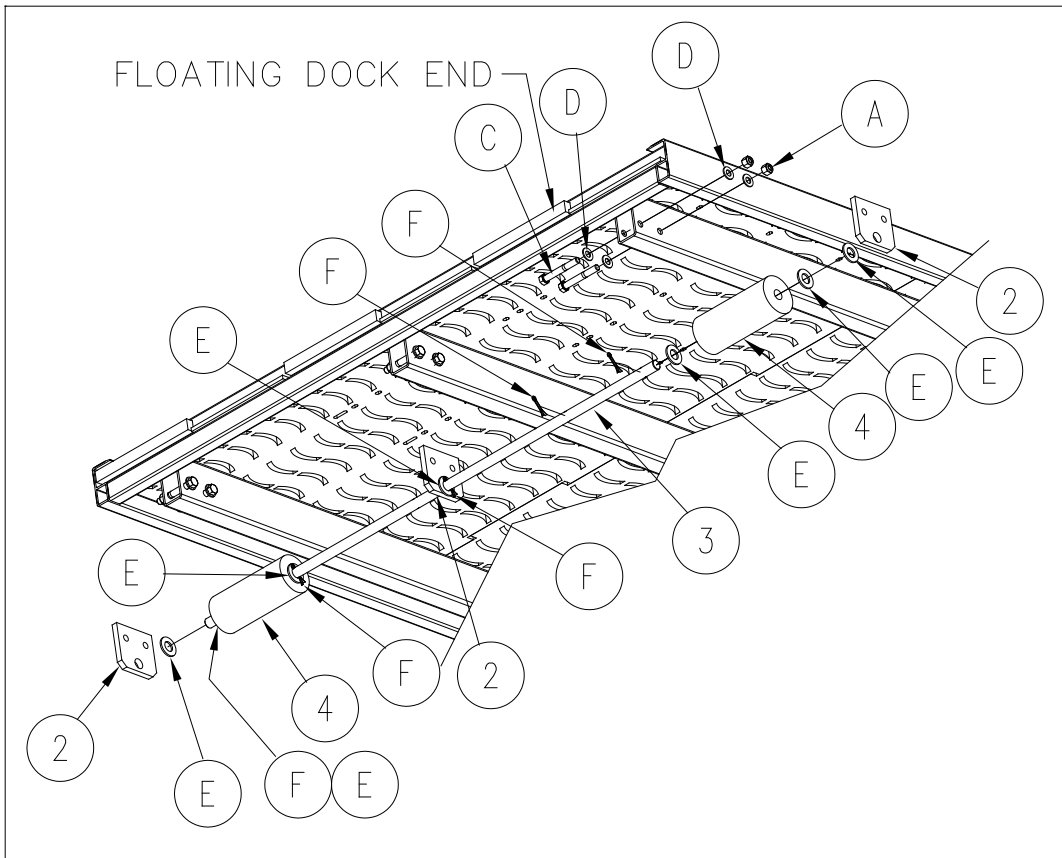
**NOTE: Instructions for Ramp used with floating docks. See instructions in previous section 1.1 for mounting to stationary docks.**

1. Drill (6) 13/32” holes in the (3) support tubes on floating end of the T-Dock Ramp as shown in Figure 1.5.

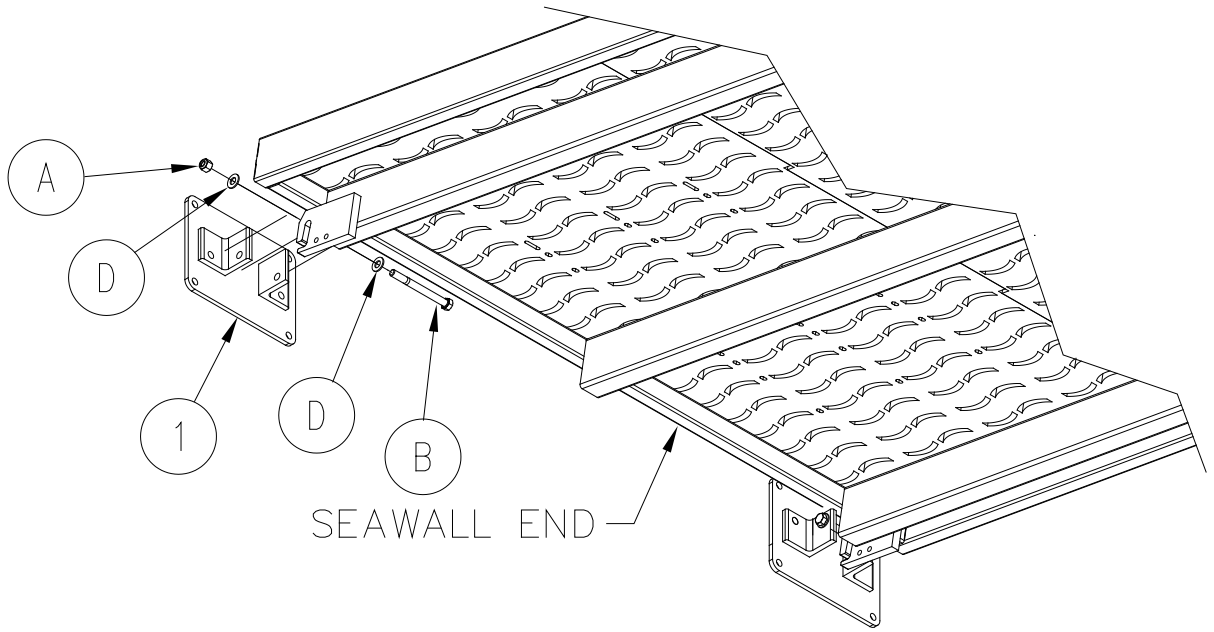


**Figure 1-5**  
T-Dock Ramp Roller Bracket drill layout

2. Bolt (3) T-Dock Ramp Floating Roller Mounting Plates (B/N 2) to the floating dock end of the T-Dock Ramp using the drilled holes and hardware specified in Figure 1-6. Assemble rollers & roller shaft as shown in figure 1-6. Make sure flat washers are assembled on each end of roller and use cotter pin to retain roller & shaft.
3. Mount (2) T-Dock Ramp Seawall Brackets (B/N 1) to seawall using 3/8” hex bolts (not included) so that the angle between the T-Dock Ramp and the Dock does not exceed 9 degrees. The location to mount the brackets is shown in Figure 1-3.
4. Attach hardware to Seawall Brackets (B/N 1) as shown in Figure 1-7. Attach T-Dock Ramp to brackets by lining the slot in the hinge plates (B/N 2) with the hex bolt (B/N B) in seawall brackets.



**Figure 1-6**  
**T-Dock Ramp Floating Roller Assembly**



**Figure 1-7**  
**T-Dock Ramp Seawall Mounting (Floating Dock only)**

## 2 PARTS LISTS

Each reference number in the following parts lists can be matched with the reference number in both the text and illustrations of Section 1, Installation.

### 2.1 4013136 T-DOCK RAMP SEAWALL HINGE BRACKET COP (STATIONARY DOCK)

REF #	PART #	QTY	DESCRIPTION
1	4013353	2	T-DOCK RAMP SEAWALL BRACKET
2	4013619	2	T-DOCK RAMP STATIONARY SEAWALL HINGE PLATE
-	4013235	1	T-DOCK RAMP STATIONARY SEAWALL BRACKET BOB

### 2.2 4013235 T-DOCK RAMP SEAWALL BRACKET BOB (STATIONARY DOCK)

REF #	PART #	QTY	DESCRIPTION
A	5840103	6	3/8-16 ALUMINUM NYLOCK HEX NUT
B	5896259	2	3/8-16 X 4 SS HEX BOLT
C	5896268	4	3/8-16 X 2-3/4 SS HEX BOLT
D	5896406	12	3/8" SAE SS FLAT WASHER

### 2.3 4013151 T-DOCK RAMP SEAWALL HINGE BRACKET COP (FLOATING DOCK)

REF #	PART #	QTY	DESCRIPTION
1	4013353	2	T-DOCK RAMP SEAWALL BRACKET
2	4013620	3	T-DOCK RAMP FLOATING ROLLER MTG PLATE
3	4013621	1	T-DOCK RAMP FLOATING ROLLER SHAFT 38"
4	7641208	2	ROLLER 2-1/2X6"
-	4013244	1	T-DOCK RAMP FLOATING SEAWALL BRACKET BOB

### 2.4 4013244 T-DOCK RAMP SEAWALL BRACKET BOB (FLOATING DOCK)

REF #	PART #	QTY	DESCRIPTION
A	5840103	8	3/8-16 ALUMINUM NYLOCK HEX NUT
B	5896259	2	3/8-16 X 4 SS HEX BOLT
C	5896268	6	3/8-16 X 2-3/4 SS HEX BOLT
D	5896406	16	3/8" SAE SS FLAT WASHER
E	5896414	7	WASHER FLAT SAE 5/8 SS
F	5893501	5	PIN, COTTER 1/8 X 1 SS

## **TWO YEAR LIMITED WARRANTY**

### **Reimann & Georger Corporation Marine Products**

This product is warranted by RGC® Marine Products to the original purchaser to be free from defects in material and workmanship under normal use for a period of two years from the date of purchase.

During the warranty period, and upon proof of purchase, the product will be repaired or replaced (with the same or similar model) at our option, without charge for either parts or labor when serviced at RGC® Marine Products.

Upon completion of repair, the unit will be returned to the customer freight prepaid. The warranty will not apply to this product if it has been misused, abused, or altered.

NEITHER THIS WARRANTY OR ANY OTHER WARRANTY, EXPRESS OR IMPLIED, INCLUDING IMPLIED WARRANTIES OF MERCHANTABILITY, SHALL EXTEND BEYOND THE WARRANTY PERIOD. NO RESPONSIBILITY IS ASSUMED FOR ANY INCIDENTAL OR CONSEQUENTIAL DAMAGES. SOME STATES DO NOT ALLOW EXCLUSION OR LIMITATION OF INCIDENTAL OR CONSEQUENTIAL DAMAGES, SO THE ABOVE LIMITATIONS OR EXCLUSIONS MAY NOT APPLY TO YOU.

This warranty gives you specific legal rights, and you may also have other rights which vary from state to state.