

4013115 TRUSS DOCK SEAWALL BRACKET

PARTS LIST

REF #	PART #	QTY	DESCRIPTION
1	4013332	2	TRUSS DOCK SEAWALL BRACKET
A	5896268	2	HHCS 3/8-16 X 2-3/4 SS
B	5806243	2	WASHER SPLIT LOCK 3/8 SS
C	5896406	2	WASHER FLAT SAE 3/8" SS
D	5896377	2	NUT HEX 3/8-16 SS

1. Read the following instructions thoroughly before starting work. If you don't understand a procedure, call Reimann & Georger Corporation or its distributors for assistance.
2. Insure that you have all the parts listed. If any parts are missing or damaged, return to place of purchase immediately.
3. The seawall brackets are mounted to the seawall using four 1/2" anchor bolts (not supplied) per bracket.
4. The bottom tube on the frame of the end of the dock goes in between the angles of the bracket and is fastened in place using the supplied hardware as shown in Figure 1.

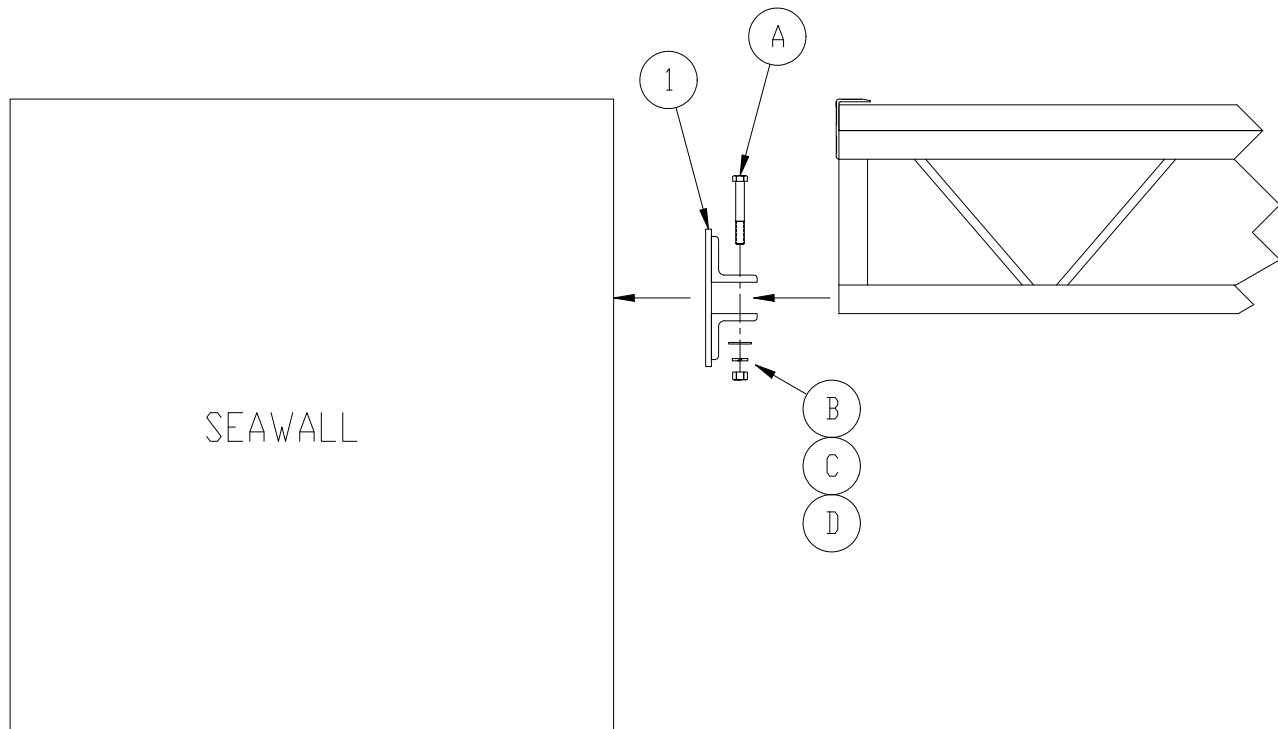
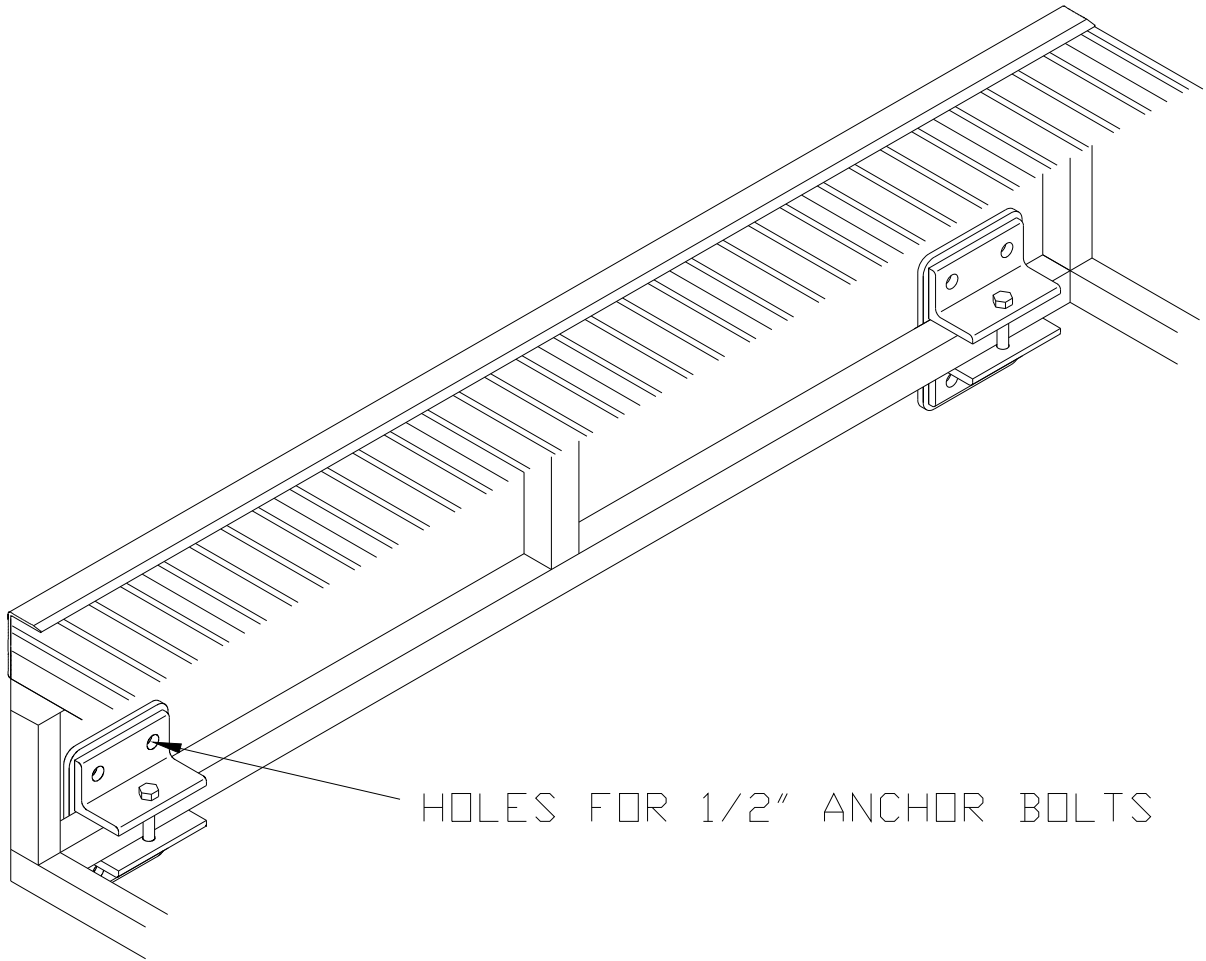


Figure 1



HOLES FOR 1/2" ANCHOR BOLTS

Figure 2
View of the brackets fastened to the frame (decking not shown for clarity).