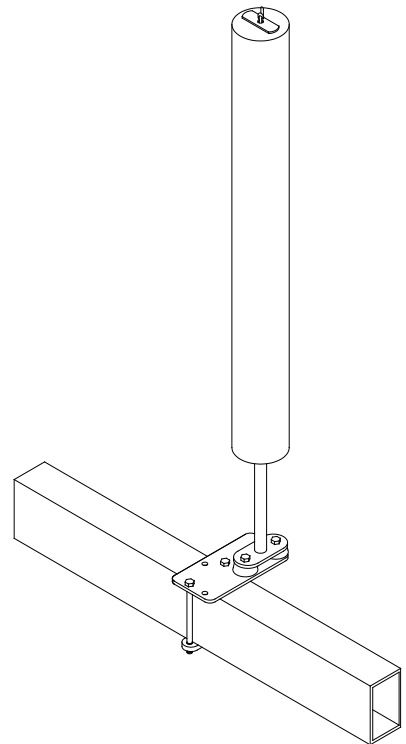
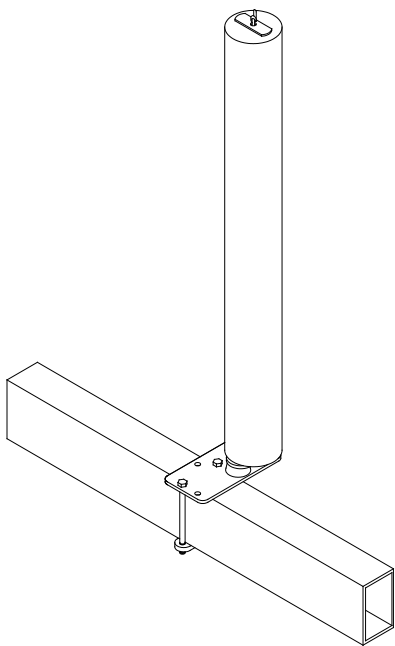




# VERTICAL GUIDE POST

(Applies to P/N 3600105 & 3600115)

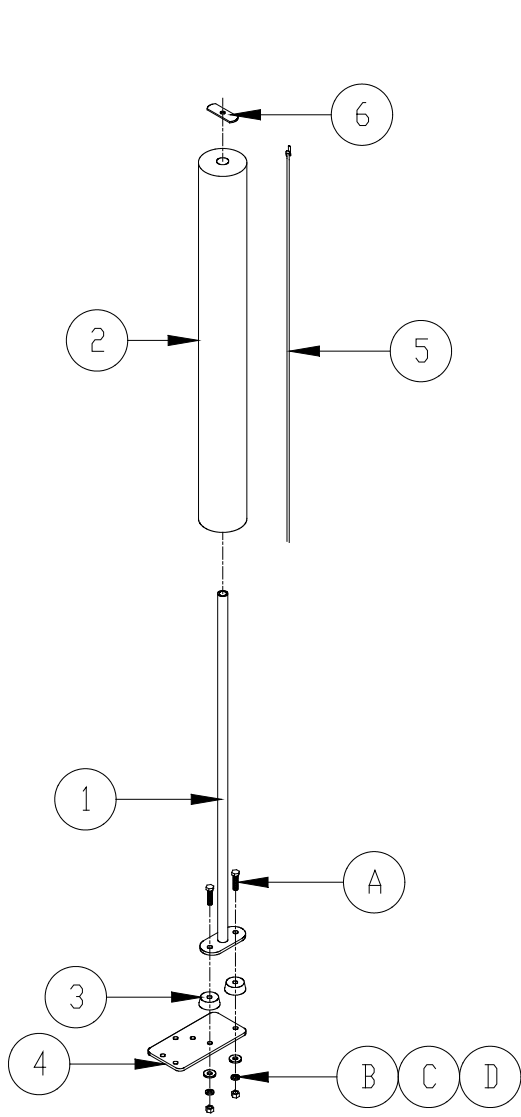


**VL VERTICAL GUIDE POST (P/N 3600105 & 3600115)**

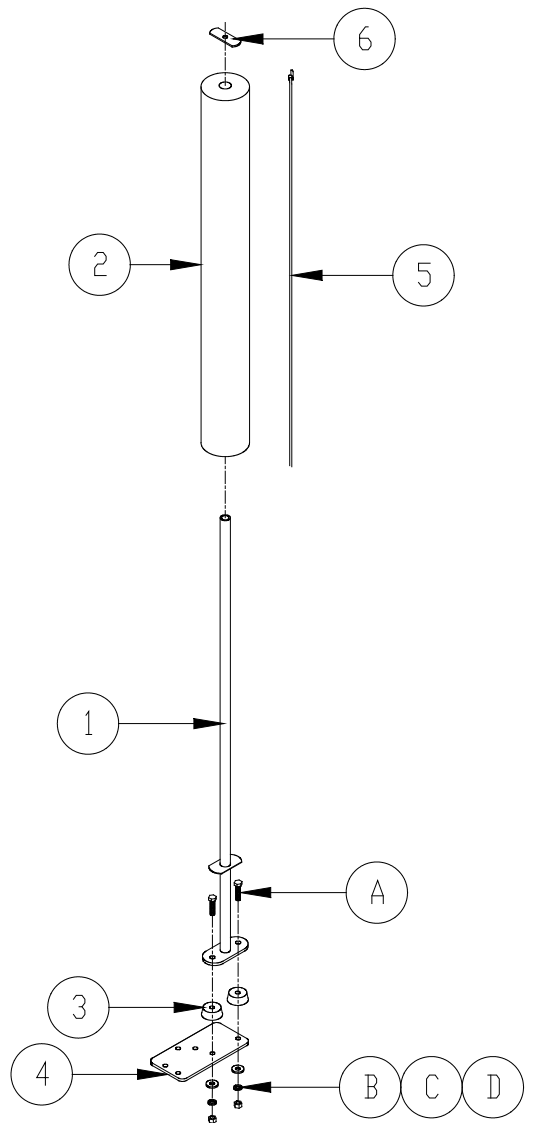
**PARTS LIST**  
 (PARTS LISTED BELOW FOR ONE ASSEMBLY)

REF #	PART #	QTY	DESCRIPTION
1	3600210	1	GUIDE SUPPORT POST
1	3600240	1	GUIDE SUPPORT POST TALL
2	7236153	1	GUIDE POST BUMPER
3	5800152	2	VIBRATION DAMPER
4	3600205	1	GUIDE MOUNT PLATE
5	7336154	44 in	NYLON ROPE
5	7336154	54 in	NYLON ROPE (FOR TALL)
6	3600230	1	FOAM STOP PLATE
7	3606921	1	2 HOLE PLATE 3"
A	5806249	2	HHCS 3/8 X 1-1/2
B	5896406	4	WASHER FLAT 3/8 SS
C	5896243	4	3/8 SPLIT LOCK WASHER SS
D	5840104	4	NUT HEX 3/8 ALUM
E	5896262	2	HHCS 3/8 X 4-1/2 SS (USED FOR VL 1250)
E	5896264	2	HHCS 3/8 X 5-1/2 SS (USED FOR VL 1.6 – 4.5K)
E	5896269	2	HHCS 3/8 X 6-1/2 SS (USED FOR VL 5K)
E	5890151	2	HHCS 3/8 X 8-1/2 SS (USED FOR VL 7-8K)

1. Read the following instructions thoroughly before starting work. If you don't understand a procedure, call Reimann & Georger Corporation or its distributors for assistance. Insure that you have all the parts listed. If any parts are missing or damaged, return to place of purchase immediately.
2. The guide support post is attached to the guide mount plate. Fasten the post to the plate using the vibration dampers, nuts, bolts, and washers as shown in Figure 1.
3. Place the guide post bumper on the support post. Slide the nylon rope through the bumper and support post. Slide the fender washer onto the rope. Tie a knot on both ends of the rope and make sure the bumper cannot slide off of the support post. Refer to Figure 1.
4. Place the mount plate on top of the load tube of the lift. Place it in the desired location to help guide your boat and fasten it into place using the 2-hole plate, hex bolt, nuts and washers. (**NOTE:** If installing guide post on a lift with capacities of 1600 – 4000lb, use the 5-1/2" length bolt, if installing on a 5000lb lift, use the 6-1/2" bolt, if installing on a 7000lb lift, use the 8-1/2" bolt) Refer to Figure 2.
5. Figure 3 shows the post attached to the load tube.

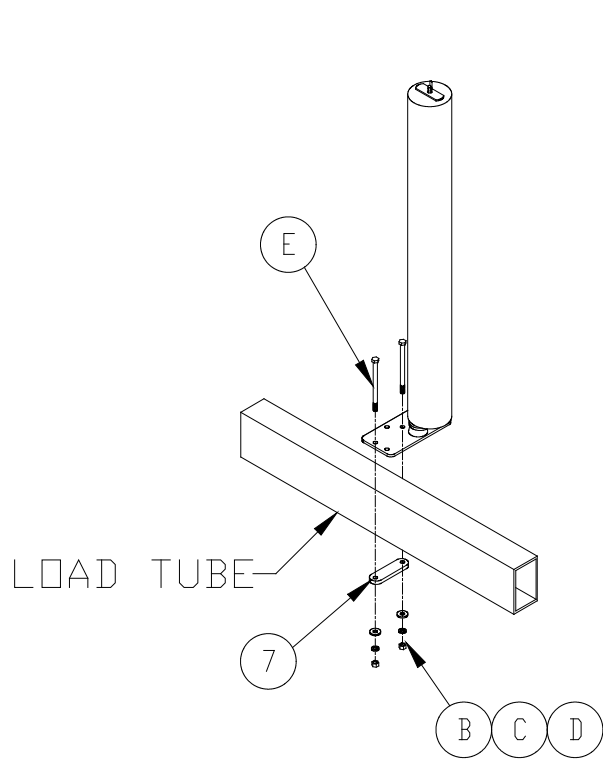


**Guide Post Assembly**

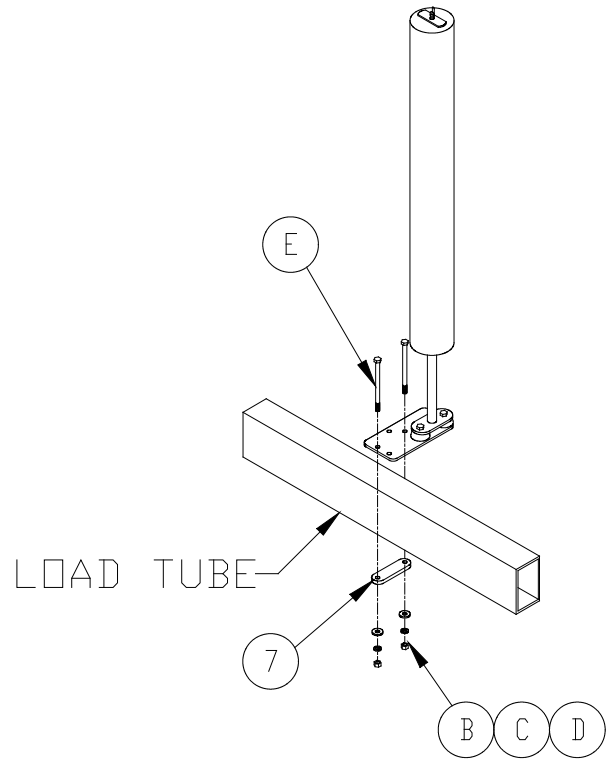


**Guide Post Tall Assembly**

**Figure 1**

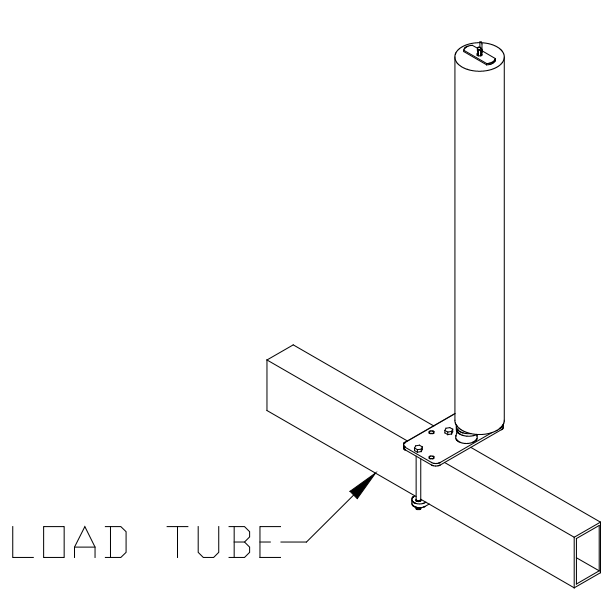


**Guide Assembly on Load Tube**

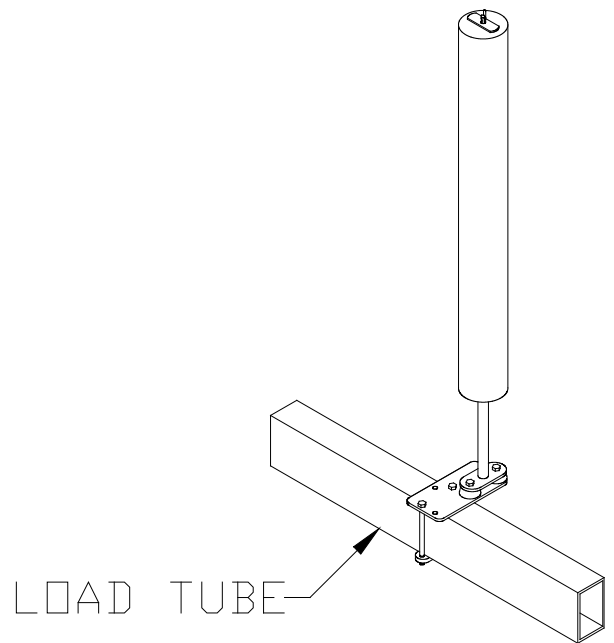


**Guide Assembly Tall on Load Tube**

**Figure 2**



**Mounted Guide Post**



**Mounted Guide Post Tall**

**Figure 3**