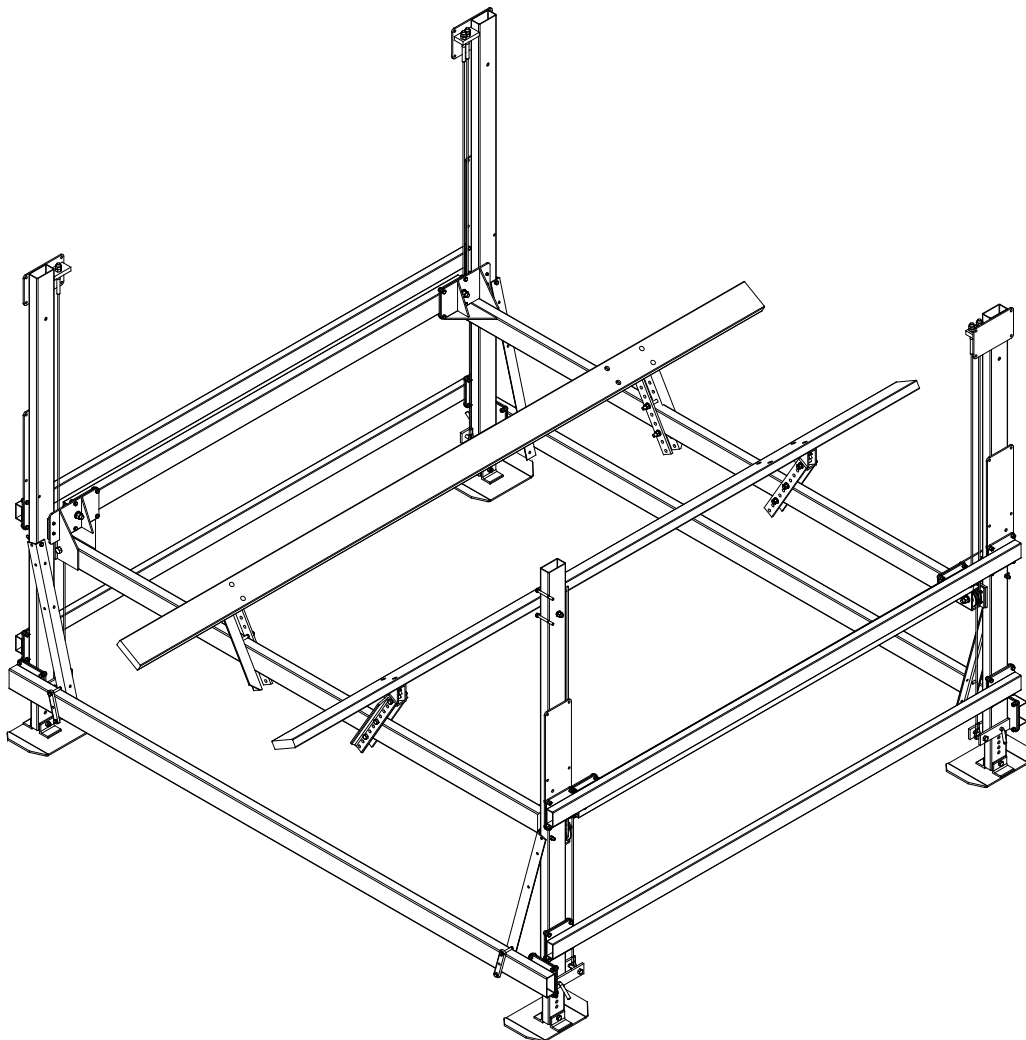




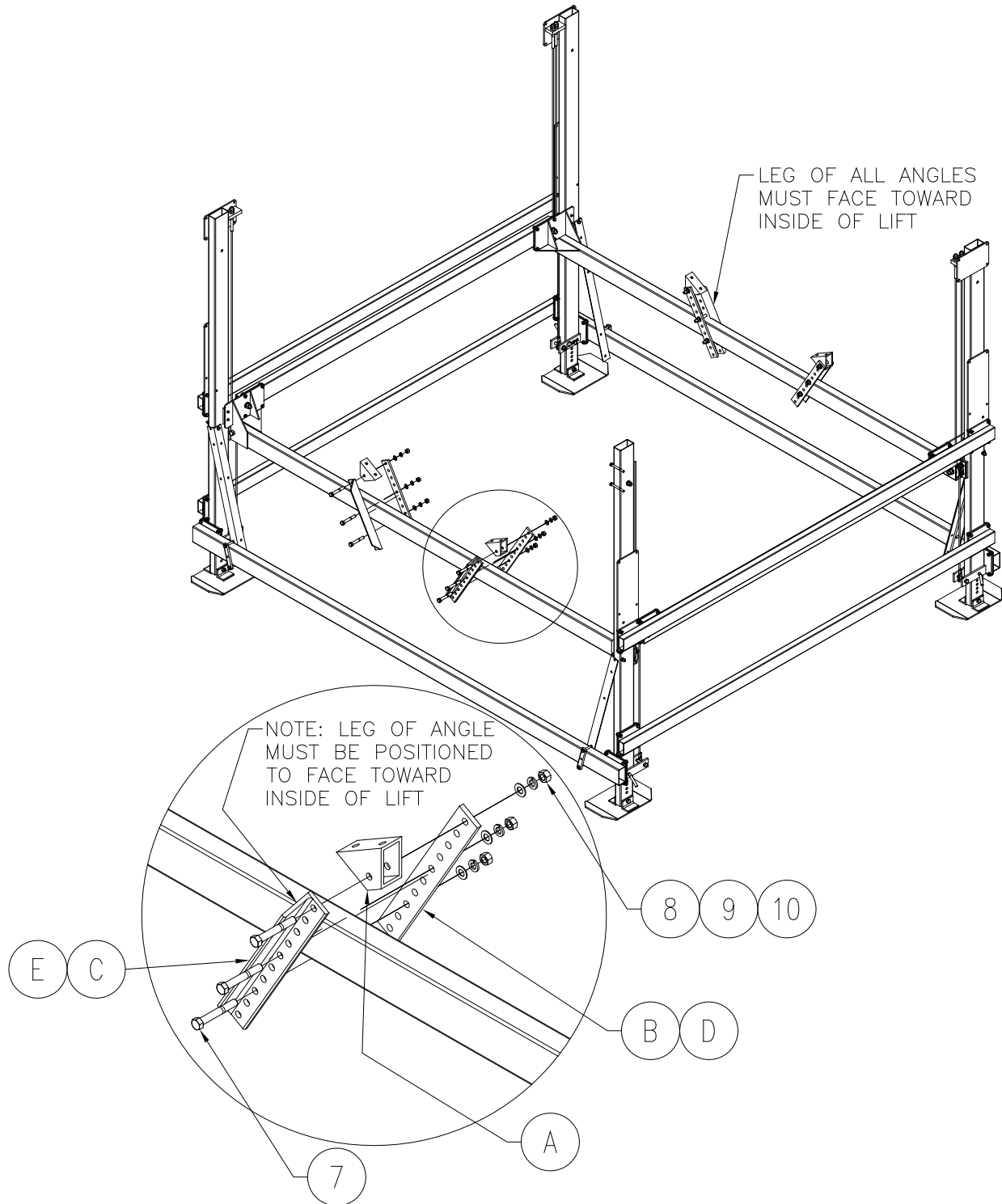
# VL WOOD BUNK INSTRUCTIONS

(Applies to P/Ns 3620105, 3637062, 3650320, 3650345,  
3660345, 3670615, 3670655, 3670656, 3680370)

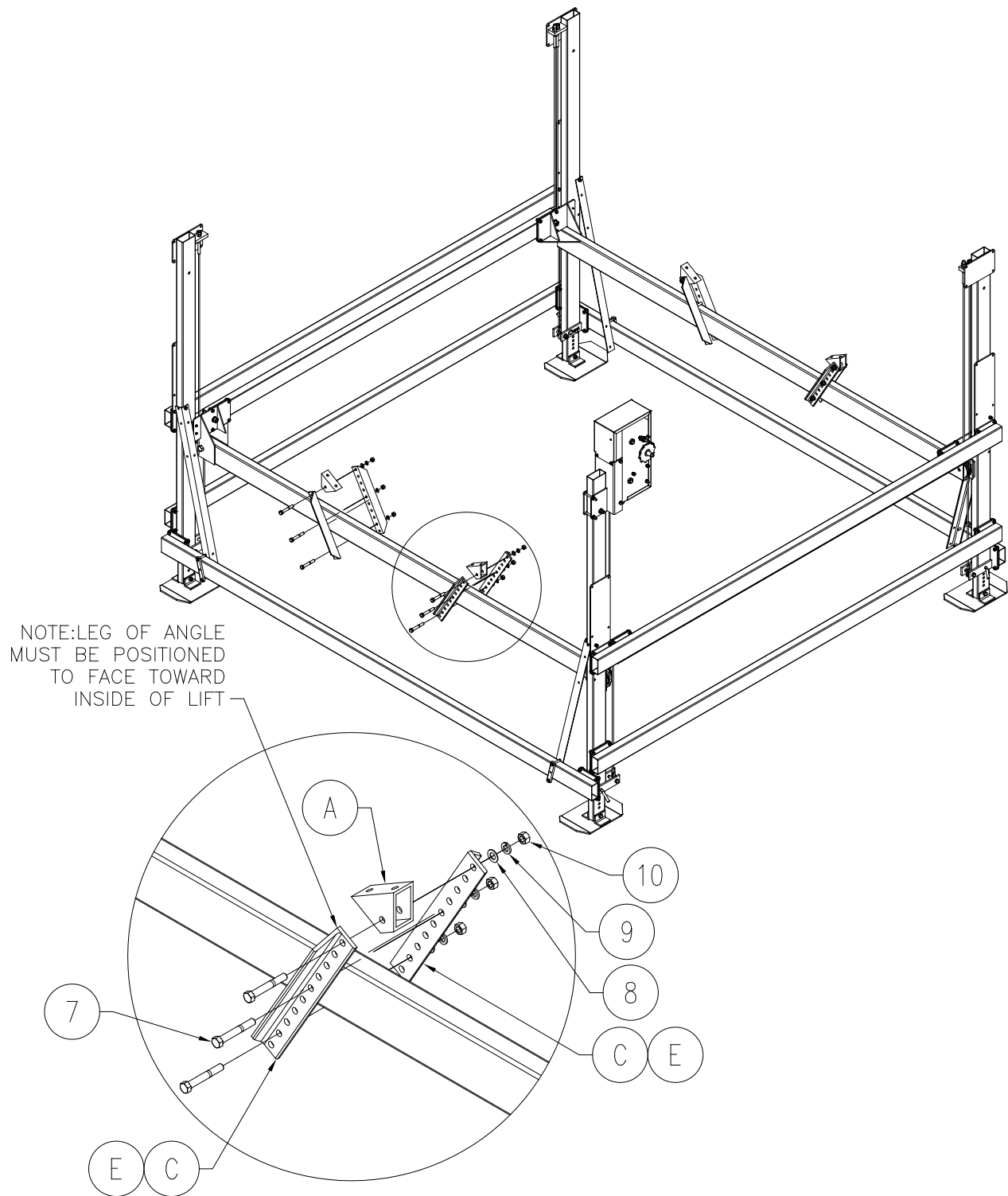


## STEP 1: ATTACHING BRACKETS

1. Position the brackets onto the load tube as shown in Figures 1.1 and 1.2. Loosely attach the brackets using the hardware shown (hardware will be tightened after adjustments are made in a later step).



**Figure 1.1**  
**For 1.6-4.5K capacity lifts use an angle and a flat bracket to attach to the bunk cradle bracket.**



**Figure 1.2**  
**For 5-8K capacity lifts, use two angle brackets to attach to the bunk cradle bracket.**

## STEP 2: ATTACHING WOOD BUNKS

2. Position the wood bunk over the cradle head. Attach the wood using the hardware as shown in Figure 2 and tighten down. **NOTE: MAKE SURE THE HEAD OF THE CARRIAGE BOLT IS PULLED BELOW THE SURFACE OF THE WOOD TO PREVENT HULL MARRING.**

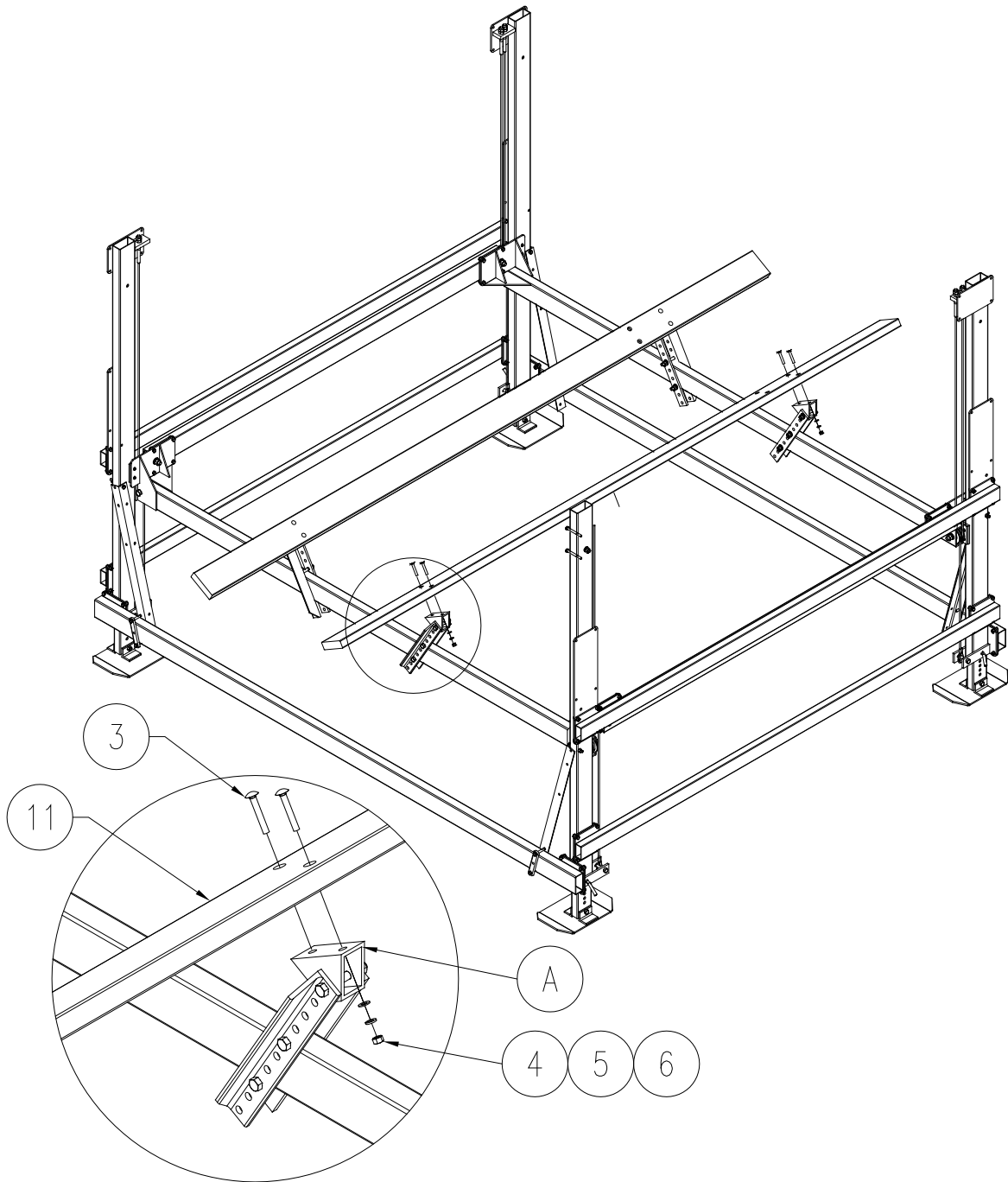
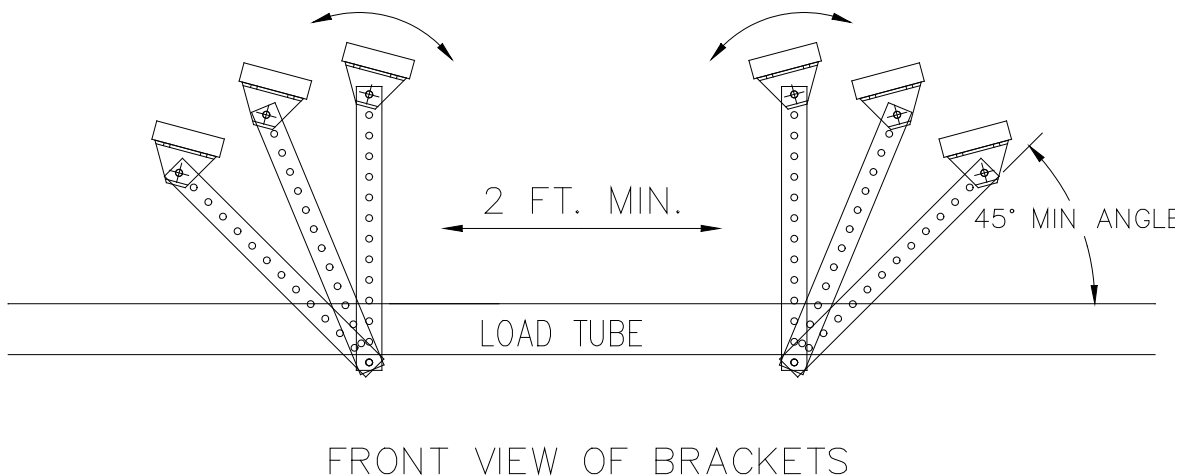
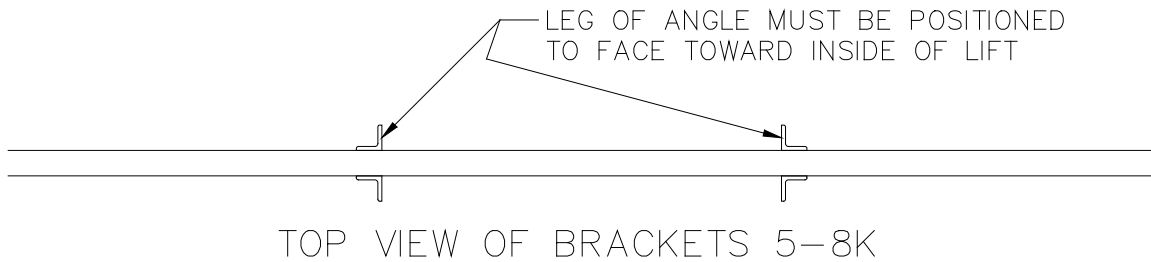
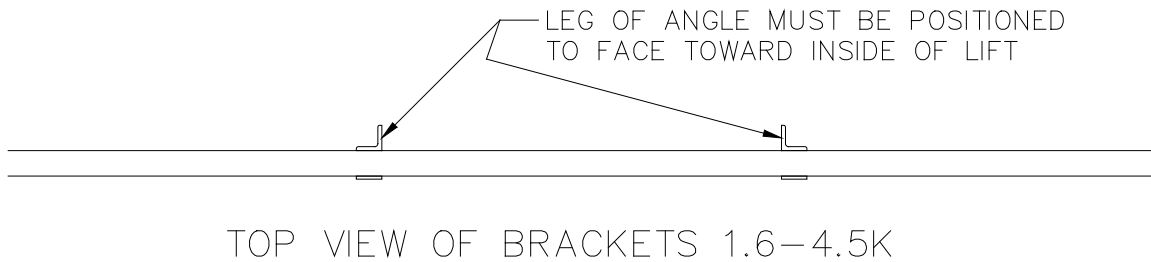


Figure 2  
Wood Bunk Installation.

### STEP 3: ADJUSTING BUNKS

- 3-1. Using bolts, washers and nuts, select the hole pattern in the brackets that gives the desired bunk height and angle. (SEE HELPFUL TIPS SECTION BELOW)
- 3-2. Position each bracket a minimum distance of 1 foot from the center of the load tube.
- 3-3. Pivot the cradle head until the wood bunk is at the desired angle to properly support the hull.
- 3-4. Once the final adjustments have been made to the bunks, **TIGHTEN ALL BOLTS** using 3/4" sockets and wrenches.



**Figure 3**



**CAUTION:**

**ALL BOLTS MUST BE TIGHT BEFORE ATTEMPTING TO RAISE BOAT ON LIFT**

<b>HELPFUL TIPS:</b>	
1)	Use a boat trailer as a reference for proper bunk adjustment. TAKE MEASUREMENTS.
2)	Brackets at the BOW end of the hoist can be mounted closer together than the STERN (as pictured). This will help center and guide the boat onto the hoist.
3)	Cradle brackets must be mounted vertically for waterski boats to achieve proper skag and drive shaft clearance.
4)	Properly adjusted bunks will give full length support of hull & do not allow the keel to contact the hoist load tube.

## VL PIVOT BUNK PARTS LIST

Each reference number or letter in the following parts lists can be matched with the reference number or letter referred to in the illustrations of the instruction manual.



### **WARNING:**

**FAILURE TO APPLY A SUITABLE LUBRICANT TO THE MATING SURFACES OF STAINLESS STEEL THREADED FASTENERS MAY CAUSE GALLING AND/OR SEIZING OF ASSEMBLY.**

### **#3620105 VL2K WOOD BUNK KIT**

#### **#3679355 VL WOOD BUNK Carton of Parts 1.6-4.5K**

REF #	PART #	QTY	DESCRIPTION
A	3603936	4	VL BUNK CRADLE BRKT 2"
B	3603937	4	VL CRADLE BRKT FLAT 15-7/8
C	3603938	4	CRADLE BRKT ANG 15 7/8
	<b>3605977</b>	<b>1</b>	<b>VL BUNK S.S. BOB 1.6-4.5K</b>
			consisting of:
3	5896323	8	3/8-16 x 2-1/2" CARRIAGE BOLT
4	5896406	8	3/8 WASHER SAE
5	5806243	8	3/8 WASHER SPLIT LOCK
6	5840104	8	3/8-16 HEX NUT ALUM
7	5896290	12	1/2-13 x 3-1/2" HHCS
8	5896400	12	1/2 WASHER SAE
9	5806244	12	1/2 WASHER SPLIT LOCK
10	5803612	12	1/2-13 NUT HEX –SILICON BRONZE

#### **#3629104 VL WOOD BUNK Bundle 2K**

REF #	PART #	QTY	DESCRIPTION
11	3629428	2	VL2K WOOD BUNK ASSY

### **#3670655 VL1.6 – 4.5K WOOD BUNK KIT**

#### **#3679355 VL WOOD BUNK Carton of Parts 1.6-4.5K**

REF #	PART #	QTY	DESCRIPTION
A	3603936	4	VL BUNK CRADLE BRKT 2"
B	3603937	4	VL CRADLE BRKT FLAT 15-7/8
C	3603938	4	CRADLE BRKT ANG 15 7/8
	<b>3605977</b>	<b>1</b>	<b>VL BUNK S.S. BOB 1.6-4.5K</b>
			consisting of:
3	5896323	8	3/8-16 x 2-1/2" CARRIAGE BOLT
4	5896406	8	3/8 WASHER SAE
5	5806243	8	3/8 WASHER SPLIT LOCK
6	5840104	8	3/8-16 HEX NUT ALUM
7	5896290	12	1/2-13 x 3-1/2" HHCS
8	5896400	12	1/2 WASHER SAE
9	5806244	12	1/2 WASHER SPLIT LOCK
10	5803612	12	1/2-13 NUT HEX –SILICON BRONZE

**#3603778 VL WOOD BUNK Bundle 1.6-4.5K**

REF #	PART #	QTY	DESCRIPTION
11	3605916	2	VL BUNK ASSY 1.6-4K

**#3670656 VL1.6 – 4.5K WOOD BUNK TALL KIT****#3679356 VL WOOD BUNK ( Tall ) Carton of Parts 1.6-4.5K**

REF #	PART #	QTY	DESCRIPTION
A	3603936	4	VL BUNK CRADLE BRKT 2"
D	3693701	4	VL CRADLE BRKT FLAT 22 3/8
E	3693801	4	CRADLE BRKT ANG 22 3/8
	<b>3605977</b>	<b>1</b>	<b>VL BUNK S.S. BOB 1.6-4.5K</b>
			consisting of:
3	5896323	8	3/8-16 x 2-1/2" CARRIAGE BOLT
4	5896406	8	3/8 WASHER SAE
5	5806243	8	3/8 WASHER SPLIT LOCK
6	5840104	8	3/8-16 HEX NUT ALUM
7	5896290	12	1/2-13 x 3-1/2" HHCS
8	5896400	12	1/2 WASHER SAE
9	5806244	12	1/2 WASHER SPLIT LOCK
10	5803612	12	1/2-13 NUT HEX –SILICON BRONZE

**#3603778 VL WOOD BUNK Bundle 1.6-4.5K**

REF #	PART #	QTY	DESCRIPTION
11	3605916	2	VL BUNK ASSY 1.6-4.5K

**#3650320 VL5K SR09 (2X5 LOAD TUBE) WOOD BUNK KIT****#3652234 VL WOOD BUNK carton of parts 5KSR09**

REF #	PART #	QTY	DESCRIPTION
F	3603936	4	VL WOOD BUNK PIV MTG BRKT 2"
E	3603938	8	PIV BUNK SUPT ANGLE 15-7/8"
	<b>3652230</b>	<b>1</b>	<b>VL5KSR09 WOOD BUNK SS BOB</b>
			consisting of:
3	5896323	8	3/8-16 x 2-1/2" CARRIAGE BOLT
4	5896406	8	3/8 WASHER SAE
5	5806243	8	3/8 WASHER SPLIT LOCK
6	5840104	8	3/8-16 HEX NUT ALUM
13	5896290	12	1/2-13 x 3-1/2" HHCS
8	5896400	12	1/2 WASHER SAE
9	5806244	12	1/2 WASHER SPLIT LOCK
10	5803612	12	1/2-13 NUT HEX –SILICON BRONZE

**#3603776 VL WOOD BUNK Bundle 2-HOLE 5KSR09, 6-7K**

REF #	PART #	QTY	DESCRIPTION
11	3605921	2	WOOD BUNK ASSY 2-HOLE 5KSR09,6-7K



#3650345 VL5KSR09 (2X5 LOAD TUBE) WOOD BUNK TALL KIT

#3652222 VL WOOD BUNK TALL carton of parts 5KSR09

REF #	PART #	QTY	DESCRIPTION
F	3603936	4	VL WOOD BUNK PIV MTG BRKT 2"
E	3693801	8	PIV BUNK SUPT ANGLE 22-3/8"
	<b>3652230</b>	<b>1</b>	<b>VL5KSR09 WOOD BUNK SS BOB</b>
			consisting of:
3	5896323	8	3/8-16 x 2-1/2" CARRIAGE BOLT
4	5896406	8	3/8 WASHER SAE
5	5806243	8	3/8 WASHER SPLIT LOCK
6	5840104	8	3/8-16 HEX NUT ALUM
13	5896290	12	1/2-13 x 3-1/2" HHCS
8	5896400	12	1/2 WASHER SAE
9	5806244	12	1/2 WASHER SPLIT LOCK
10	5803612	12	1/2-13 NUT HEX -SILICON BRONZE

#3603776 VL WOOD BUNK Bundle 2-HOLE 5KSR09,6-7K

REF #	PART #	QTY	DESCRIPTION
11	3605921	2	WOOD BUNK ASSY 2-HOLE 5KSR09,6-7K

#3637062 VL5K/6K09 (3X5 LOAD TUBE) WOOD BUNK KIT

#3660365 VL WOOD BUNK carton of parts 5K/6K09

REF #	PART #	QTY	DESCRIPTION
F	3603935	4	BUNK CRADLE BRKT 3"
E	3603938	8	PIV BUNK SUPT ANGLE 15-7/8"
	<b>3605979</b>	<b>1</b>	<b>BUNK S.S. BOB 5K</b>
			consisting of:
3	5896323	8	3/8-16 x 2-1/2" CARRIAGE BOLT
4	5896406	8	3/8 WASHER SAE
5	5806243	8	3/8 WASHER SPLIT LOCK
6	5840104	8	3/8-16 HEX NUT ALUM
13	5896293	12	1/2-13 x 4-1/2" HHCS
8	5896400	12	1/2 WASHER SAE
9	5806244	12	1/2 WASHER SPLIT LOCK
10	5803612	12	1/2-13 NUT HEX -SILICON BRONZE

#3603775 VL WOOD BUNK Bundle 2 Hole 5K/6K09/8K (3X5 LOAD TUBE)

REF #	PART #	QTY	DESCRIPTION
11	3605919	2	BUNK ASSY 2 HOLE 5K/6K09/8K

**#3660345 VL5K/6K09 (3X5 LOAD TUBE) WOOD BUNK TALL KIT****#3679320 VL WOOD BUNK Tall carton of parts 5K/6K09 (3X5 LOAD TUBE)**

REF #	PART #	QTY	DESCRIPTION
F	3603935	4	BUNK CRADLE BRKT 3"
E	3693801	8	CRADLE BRKT ANG 22 3/8
	<b>3605979</b>	<b>1</b>	<b>BUNK S.S. BOB 5K</b>
			consisting of:
3	5896323	8	3/8-16 x 2-1/2" CARRIAGE BOLT
4	5896406	8	3/8 WASHER SAE
5	5806243	8	3/8 WASHER SPLIT LOCK
6	5840104	8	3/8-16 HEX NUT ALUM
13	5896293	12	1/2-13 x 4-1/2" HHCS
8	5896400	12	1/2 WASHER SAE
9	5806244	12	1/2 WASHER SPLIT LOCK
10	5803612	12	1/2-13 NUT HEX -SILICON BRONZE

**#3603775 VL WOOD BUNK Bundle 2 Hole 5K/6K09/8K (3X5 LOAD TUBE)**

REF #	PART #	QTY	DESCRIPTION
11	3605919	2	BUNK ASSY 2 HOLE 5K/6K09

**#3670615 VL6-7K WOOD BUNK (DOUBLE) KIT****#3637955 VL WOOD BUNK (DBL) carton of parts 6-7K (2X5 & 3X5 LOAD TUBES)**

REF #	PART #	QTY	DESCRIPTION
F	3603935	4	BUNK CRADLE BRKT 3"
F	3603936	4	BUNK CRADLE BRKT 2"
E	3693801	8	CRADLE BRKT ANG 22 3/8
C	3603938	8	CRADLE BRKT ANG 15 7/8
	<b>3605978</b>	<b>1</b>	<b>VL BUNK (DBL) S.S. BOB 6-7K</b>
			consisting of:
3	5896323	16	3/8-16 x 2-1/2" CARRIAGE BOLT
4	5896406	16	3/8 WASHER SAE
5	5806243	16	3/8 WASHER SPLIT LOCK
6	5840104	16	3/8-16 HEX NUT ALUM
13	5896293	12	1/2-13 x 4-1/2" HHCS
7	5896290	12	1/2-13 x 3-1/2" HHCS
8	5896400	24	1/2 WASHER SAE
9	5806244	24	1/2 WASHER SPLIT LOCK
10	5803612	24	1/2-13 NUT HEX -SILICON BRONZE

**#3603776 VL WOOD BUNK Bundle 2 Hole 5KSR09,6-7K (QTY 2 Bundles)**

REF #	PART #	QTY	DESCRIPTION
11	3605921	4	BUNK ASSY 2 HOLE 5KSR09,6-7K (4pcs. total)

**#3680370 VL8K WOOD BUNK DOUBLE KIT**

**#3688124 VL WOOD BUNK (DOUBLE) carton of parts 8K**

REF #	PART #	QTY	DESCRIPTION
F	3603935	8	BUNK CRADLE BRKT 3"
E	3693801	8	CRADLE BRKT ANG 22 3/8
C	3603938	8	CRADLE BRKT ANG 15 7/8
	<b>3688136</b>	<b>1</b>	<b>VL BUNK (DBL) S.S. BOB 8K</b>
			consisting of:
3	5896323	16	3/8-16 x 2-1/2" CARRIAGE BOLT
4	5896406	16	3/8 WASHER SAE
5	5806243	16	3/8 WASHER SPLIT LOCK
6	5840104	16	3/8-16 HEX NUT ALUM
13	5896293	24	1/2-13 x 4-1/2" HHCS
8	5896400	24	1/2 WASHER SAE
9	5806244	24	1/2 WASHER SPLIT LOCK
10	5803612	24	1/2-13 NUT HEX -SILICON BRONZE

**#3603775 VL WOOD BUNK Bundle 2 Hole 5K/6K09/8K (3X5 LOAD TUBE) (QTY 2 Bundles)**

REF #	PART #	QTY	DESCRIPTION
11	3605919	4	BUNK ASSY 2 HOLE 5K/6K09/8K (4 pcs. Total)