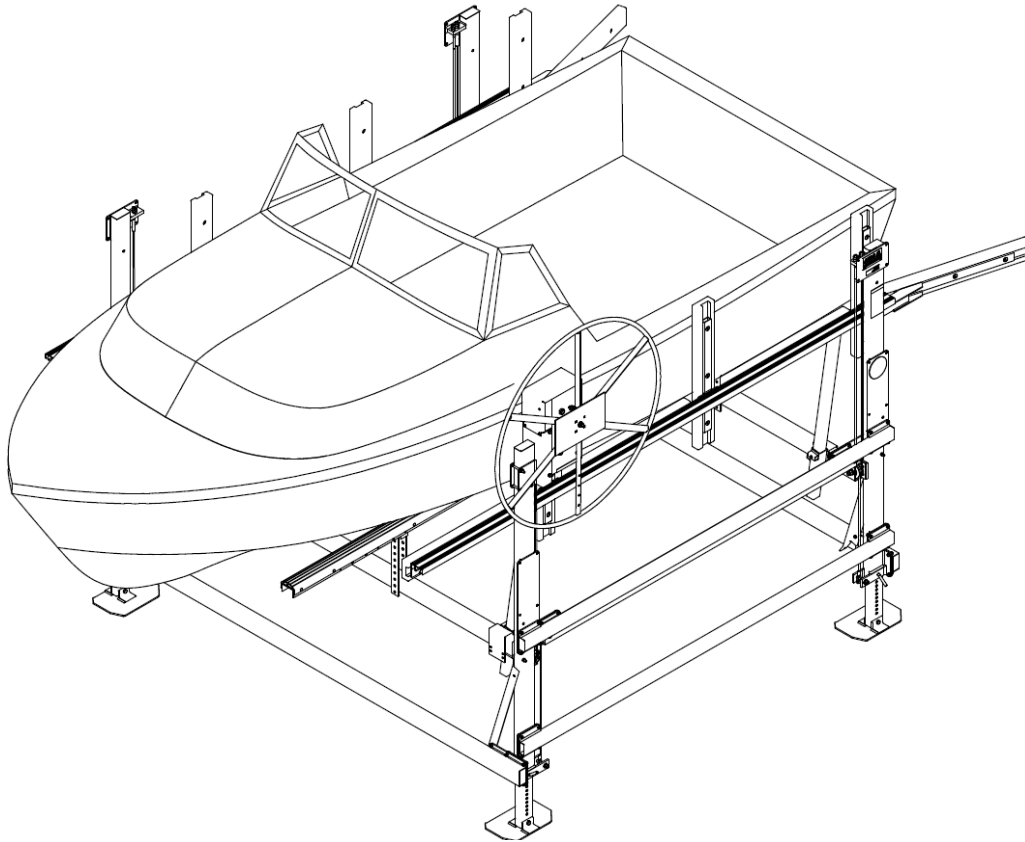




VL / HVL WOOD & A/V GUIDE ON & WAKEBOARD & BOW STOP INSTRUCTIONS

(Applies to P/N's 3610209, 3610213, 3610216, 3610219, 3610223, 3610226, 3610229, 3636224, 3636227, 3636230, 3636233, 3636236, 3636239 3652001, 3652004, 3652007, 3652238, 3652242, 3652246, 3652250, 3652254, 3652258, 3652295, 3679805, 3679807, 3679809, 3679810, 3679815, 3679816, 3679820, 3679827, 3679828, 3679829, 3679830, 3679831, 3679850, 3679860, 3688160, 3688166, 3688172, 3688178, 3688184, 3688190, 3688196)



REIMANN & GEORGER CORPORATION
MARINE PRODUCTS
P/N 6112054

BUFFALO, NY
1-800-831-5438
10/7/2021

TABLE OF CONTENTS

CHAPTER	TITLE	PAGE
1	SAFETY	1
1.1	Introduction	1
1.2	Safety Definitions.....	1
1.3	Equipment Safety Labels.....	1
1.4	Safety Rules.....	1
2	INSTALLATION AND SETUP	2
2.1	Precautions	2
2.2	Guide On Adjustments	2
2.3	Guide On Support Assembly (square tube style).....	2
2.4	Guide On Support Assembly (round tube style).....	3
2.5	Wakeboard Guide On Assembly	4
2.6	Bow Stop Cross-Tube and Bumper Assembly	5
3	INSPECTION AND MAINTENANCE	6
3.1	General Maintenance Rules.....	6
3.2	Annual Inspection.....	6
4	PARTS LISTS.....	7
4.1	VL1.6-5K Guide On Carton of Parts	7
4.2	VL6-8K, HVL5K Guide On Carton of Parts	7
4.3	VL1.6-4K Wood Guide On Carton of Parts	8
4.4	VL5K / VL6K09 Wood Guide On Carton of Parts	9
4.5	VL4.5K / VL5KSR09 Wood Guide On Carton of Parts	9
4.6	VL6K / VL7K Wood Guide On Carton of Parts	10
4.7	HVL7K / VL8K Wood Guide On Carton of Parts	10
4.8	Guide On Carpeted Wood Standard Bundle.....	10
4.9	Guide On Carpeted Wood Narrow Bundle.....	11
4.10	Guide On Aluminum / Carpeted Wood Standard Bundle	11
4.11	Guide On Aluminum / Black Vinyl Bundle	11
4.12	Wood Guide On W/ Bow Stop Bundle (Regular & Narrow)	11
4.13	VL4-8K Black Wakeboard Rub Rail Guide On Kit.....	12
4.14	VL10K Black Wakeboard Rub Rail Guide On Kit	12
4.15	VL Alum / Black Vinyl Guide On W/ Bow Stop Bundle	12

LIST OF FIGURES

FIGURE	DESCRIPTION	PAGE
2-1	Guide On Support Assembly (square tube style).....	2
2-2	Guide On Support Assembly (round tube style).....	3
2-3	Wakeboard Guide On Assembly	4
2-4A	Bow Stop Tube Arm Attachment	5
2-4B	Bow Stop Cross Tube and Bumper Assembly.....	5

1 SAFETY

1.1 INTRODUCTION

Your Reimann & Georger Corporation Marine Products VL Guide On Kit is designed to aid in proper positioning of boats on the lift. Your Guide On kit is well-designed and well-built. However, like any other equipment, it can malfunction or become hazardous in the hands of an inexperienced and/or untrained user. Therefore, read this manual and your related Vertical Lift manual, and related equipment manuals thoroughly before installing this kit and operating your lift to provide maximum safety for all operating personnel, and to get the maximum benefit from your equipment.

1.2 SAFETY DEFINITIONS

A safety message alerts you to potential hazards that could hurt you or others or cause property damage. The safety messages or signal words for product safety signs are **DANGER**, **WARNING**, and **CAUTION**. Each safety message is preceded by a safety alert symbol and is defined as follows:

DANGER: Indicates an imminently hazardous situation which, if not avoided, **will** cause death or serious injury. This safety message is limited to the most extreme situations.

WARNING: Indicates a potentially hazardous situation which, if not avoided, **could** result in death or serious injury.

CAUTION: Indicates a potentially hazardous situation which, if not avoided, **may** result in minor or moderate injury. It may also be used to alert against unsafe practices and property-damage-only accidents.

1.3 EQUIPMENT SAFETY LABELS

These labels warn you of potential hazards that could cause injury. Read them carefully. If a label comes off or becomes illegible, contact a Reimann & Georger Corporation dealer for a replacement.

1.4 SAFETY RULES



WARNING:

DO NOT INSTALL THIS KIT AND OPERATE THE LIFT WITHOUT READING BOTH THIS MANUAL AND YOUR VERTICAL LIFT MANUAL. FAILURE TO DO THIS CAN LEAD TO EQUIPMENT MISUSE WITH RESULTING DAMAGE AND/OR SERIOUS PERSONAL INJURY. CONTACT YOUR RGC® MARINE DEALER IF YOU HAVE ANY QUESTIONS.

1. Do not install this kit without first replacing any damaged or defective parts.
2. The guide on kit does not increase the rated capacity of the lift. Never use the lift beyond its rated capacity. This can damage the kit assembly, lift, and/or boat with resulting serious personal injury.
3. Never try using any part of this kit in an application for which it was not designed.
4. Do not weld or otherwise modify any part of this kit. Such alterations may weaken the structural integrity of the lift and void the warranty.
5. Do not try installing the pontoon brackets or bumpers with the weight of the boat on the lift. This can cause equipment damage and/or personal injury.
6. The following precautions must be observed when lifting any part of this equipment:
 - a. Be sure of your footing.
 - b. Bend your knees and lift with your legs.
 - c. Hold the equipment section close to your body when lifting.
7. Never use the lift to hang or store any auxiliary equipment such as boating hardware.
8. After the guide on kit is installed, the safety checks detailed in the boat lift manual must be performed on your lift prior to operation.

2 INSTALLATION AND SET UP

2.1 PRECAUTIONS

This product has been supplied with stainless steel hardware to protect against a harsh marine environment and provide outstanding performance. Due to the chemistry and surface condition of stainless steel, there is a natural tendency for the hardware to “gall, lock up, or seize” during assembly. Please use the supplied anti-seize supplied in the hardware bag on the threads of all stainless fasteners before assembly. Lubricants containing molybdenum disulfide, graphite, mica or talc may also be used.

Do not exceed the torque rating on bolts.

2.2 GUIDE ON ADJUSTMENTS

The guide on can be adjusted up/down, fore/aft, and inboard/outboard. Position the guide on correctly to ensure the center of mass of the boat remains centered on the lift, to avoid damage to the lift and boat. If equipped with bow stop or motor stop, adjust the stop fore and aft to ensure the boat comes to rest with its center of mass centered on the lift.

For choppy water, adjust for more space between guide-on and hull.

Adjust stops to avoid contact with any decals or graphics on the boat.

2.3 GUIDE ON SUPPORT ASSEMBLY (SQUARE TUBE STYLE)

Assemble all components before tightening down any fasteners.

1. Install square nuts (H) into each of four U-brackets (30). Start bolt (G).
2. Place U-bracket (30) over the load tube of the boat lift's cradle as shown. Secure with bolt (25), washer (26), and nut (24).
3. Insert vertical tube (31) into U-bracket (30). Tighten bolt (G) to secure vertical tube (31) in place.
4. Insert spring nuts (20) into guide on (10). Bolt vertical tubes (31) to guide on (10) using 1-1/4" bolts (C).

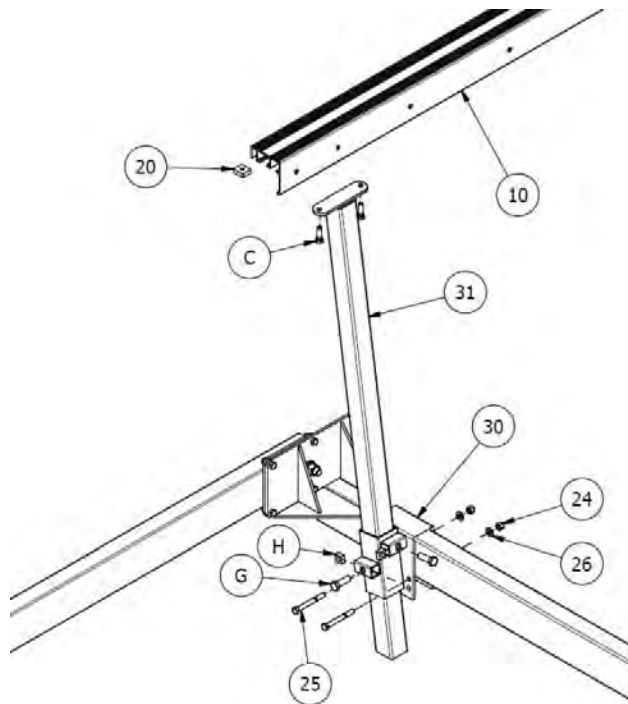


Figure 2-1 Guide On Square Tube Support Assembly

2.4 GUIDE ON SUPPORT ASSEMBLY (ROUND TUBE STYLE)

Assemble all components before tightening down any fasteners.

1. Install square nuts (H) into each of four support tube assemblies (30). Start bolt (G).
2. Place support tube assembly (30) over the load tube of the boat lift's cradle as shown. Secure as shown with U-bolt (27), two-hole plate (28), washer (26), lock washer (25) and nut (24).
3. Insert upper tube (31) into support tube assembly (30). Tighten bolt (G) to secure upper tube (31) in place.
4. Insert spring nuts (20) into guide on (10). Bolt upper tubes (31) to guide on (10) using 1-1/4" bolts (C).

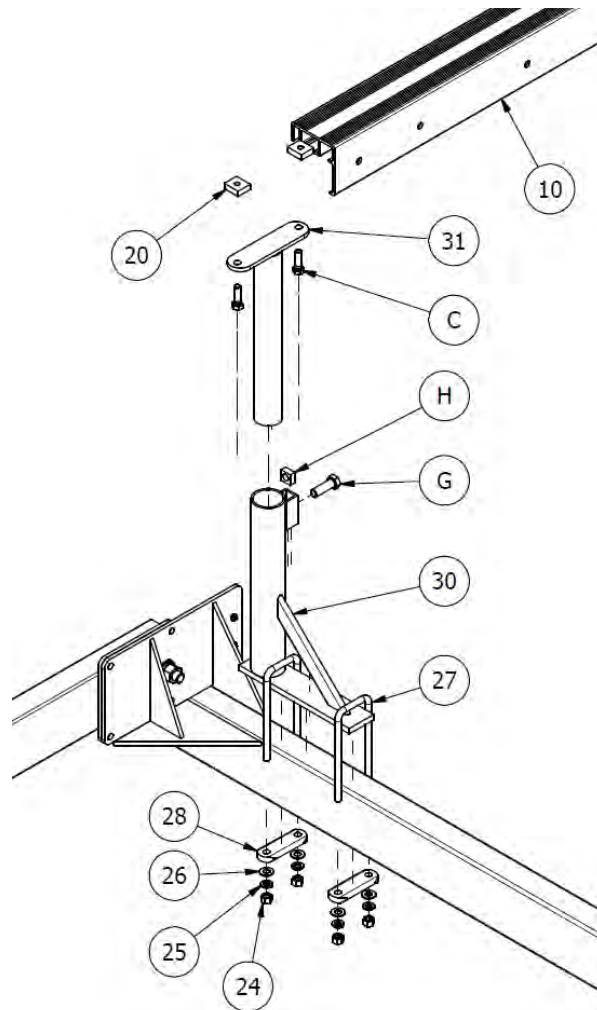


Figure 2-2 Guide On Round Tube Support Assembly

2.5 WAKEBOARD GUIDE-ON ASSEMBLY

1. Attach dock cushions to uprights (12) and front guide-on weldment (11) using 1-1/2" bolts (25) and nuts (23).
2. Attach dock cushions to guide on (10) with 2-1/2" bolts (26) and nuts (23).
3. Insert two spring nuts (20) into the channel of guide on (10). Bolt front guide on weldment (11) to guide on.
4. Bolt uprights (12) to guide on (10) with 1" bolts (24) and nuts (23).

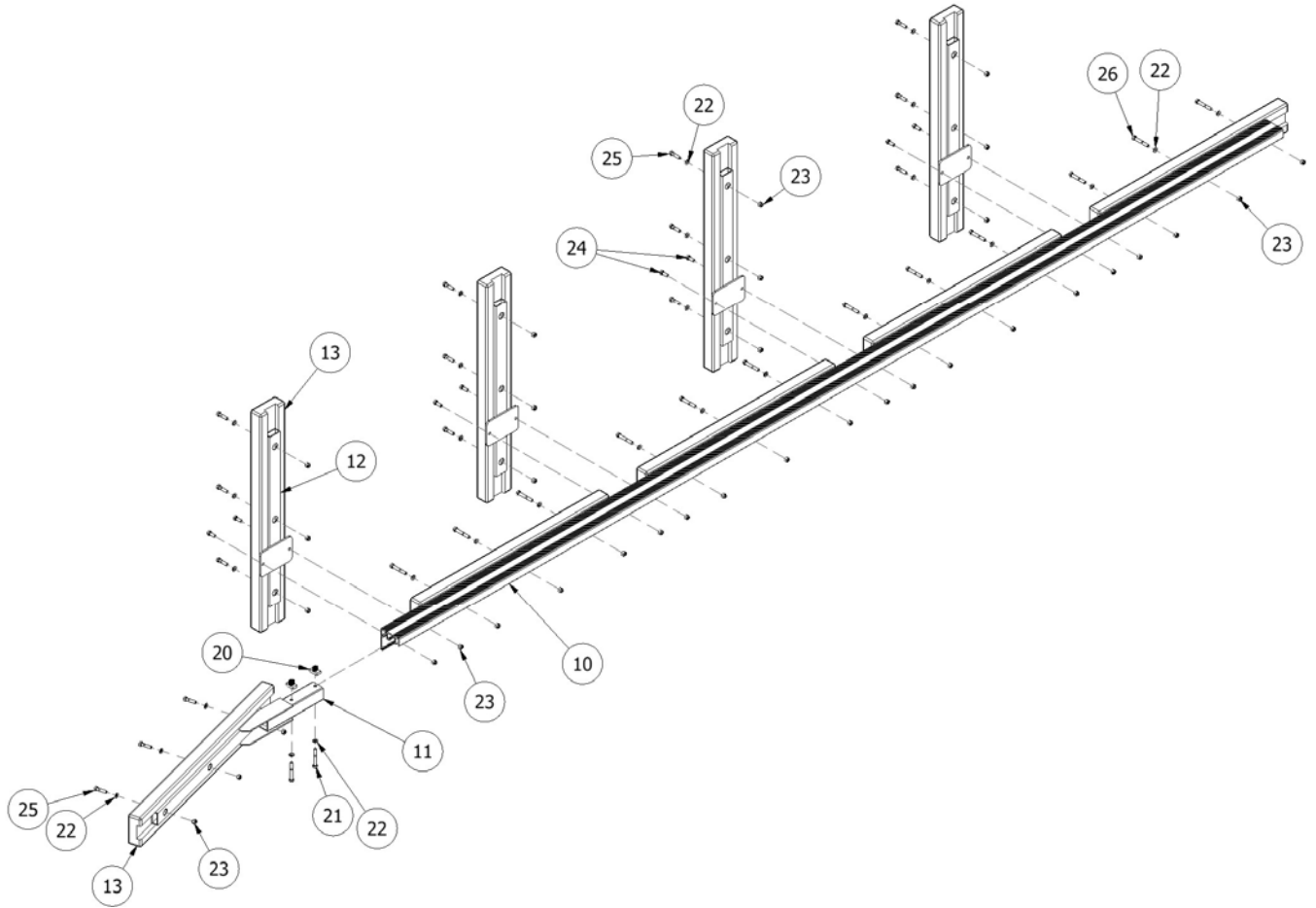


Figure 2-3 Wakeboard guide on assembly. RH shown, LH similar.

2.6 BOW STOP CROSS TUBE AND BUMPERS ASSEMBLY

1. Attach left and right bow stop tube arms (A, B) to guide on (10) with bolts (42) and spring nuts (10). If supplied, use spacer (41) as shown with 3-1/2" bolts. Otherwise, use 1-1/2" bolts with no spacer.

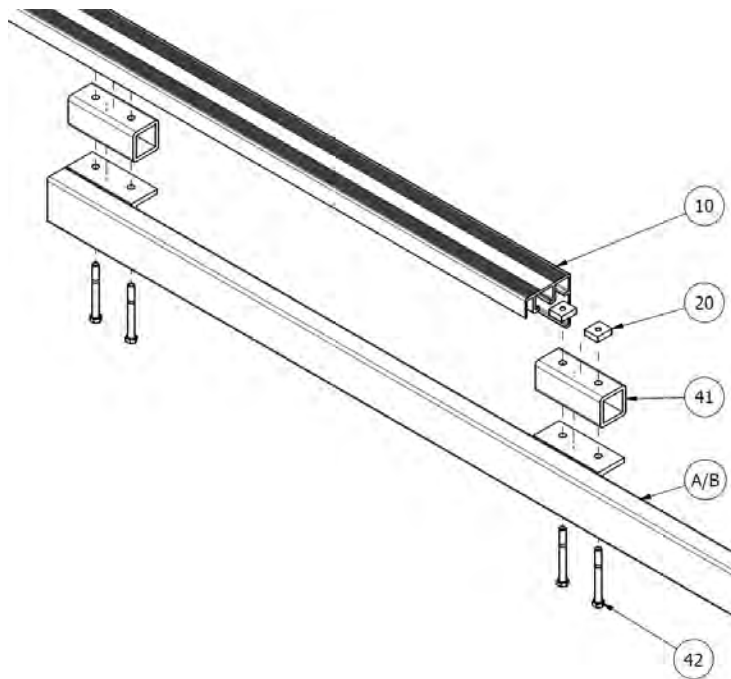


Figure 2-4A Bow Stop Tube Arm Attachment (LH shown, RH similar)

2. Secure bow stop cross tube (C) to arms (A, B) using U-bolts (G) and two-hole plates (3) as shown.
3. Attach wooden bumper (D) to cross-tube with U-bolts (H). Adjust to the appropriate angle before torquing nuts.

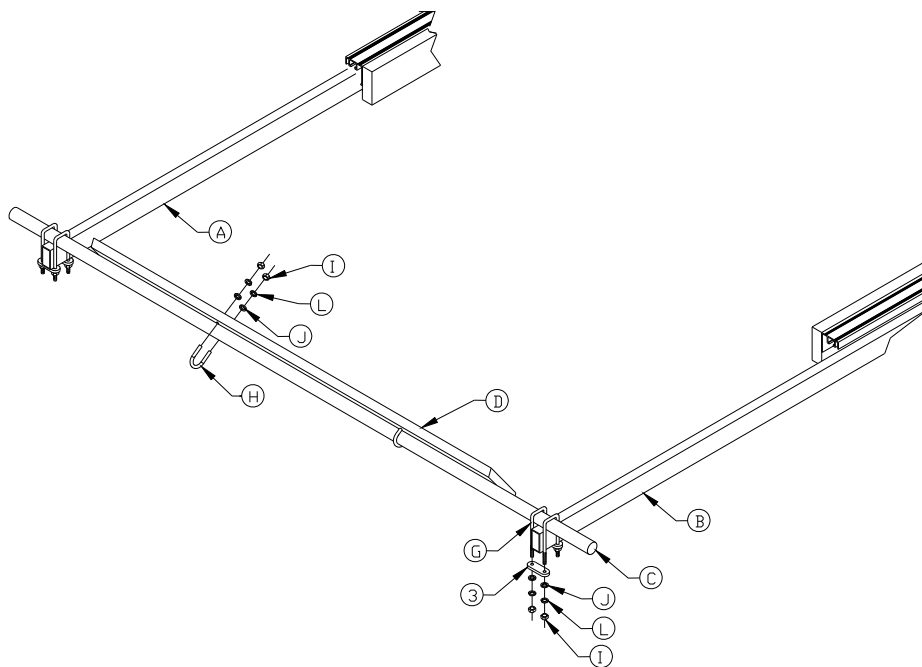


Figure 2-4B Bow Stop Assembly

3 INSPECTION AND MAINTENANCE

3.1 GENERAL MAINTENANCE RULES

1. Do not allow persons other than authorized service personnel to repair this equipment.
2. Inspect bumper and guide on kits regularly for deterioration. Replace them immediately if they are worn.
3. Do not weld or otherwise modify the lift. Such alterations may weaken the structural integrity of the lift and invalidate your warranty.
4. Completely lower the lift before performing any type of maintenance or repair.



WARNING:

NEVER ALLOW ANYBODY TO WORK IN OR ON THE BOAT WHEN IT IS SUSPENDED ABOVE THE WATER ON THE LIFT. IF THE HANDWHEEL ON THE WINCH SHOULD START FREEWHEELING, DEATH OR SERIOUS INJURY COULD RESULT.

IF FREEWHEELING STARTS, NEVER TRY TO STOP IT. ALTHOUGH A SPIN DOWN OR “FREEWHEELING” CAN CAUSE LIFT OR BOAT DAMAGE, TRYING TO STOP FREEWHEELING CAN CAUSE SERIOUS PERSONAL INJURY.

3.2 ANNUAL INSPECTION

At least once a year, the lift must be thoroughly inspected using the following procedure.



WARNING:

DO NOT ALLOW ANYBODY TO USE THE LIFT UNTIL THIS MAINTENANCE IS COMPLETED.

1. Tighten all bolts.
2. Check all carpeted wood bumpers and wood guide on for any damage, deterioration, or excessive wear. If any is found, replace them immediately.
3. Check frame thoroughly for defects.

4 VL GUIDE ON PARTS LIST

Each reference number or letter in the following parts lists can be matched with the reference number or letter referred to in the illustrations of the instruction manual.



WARNING:

FAILURE TO APPLY A SUITABLE LUBRICANT TO THE MATING SURFACES OF STAINLESS STEEL THREADED FASTENERS MAY CAUSE GALLING AND/OR SEIZING OF ASSEMBLY.

4.1 #3636224 / 3636227 / 3636230 VL 1.6-5K GUIDE ON Carton Of Parts

(36" / 45" / 54" TALL)

REF #	PART #	QTY	DESCRIPTION
31	3636505 / 3636508 3636511	4	GUIDE ON SQUARE TUBE UPPER ASSY 36" / 45" / 54"
30	3636514	2	GUIDE ON SQUARE TUBE LH LOWER 2-9/16" U-BRKT
30	3636517	2	GUIDE ON SQUARE TUBE RH LOWER 2-9/16" U-BRKT
	3636321	1	VL1.6K-VL5K GUIDE ON / U-BRACKET BAG OF BOLTS consisting of:
20	5805898	8	3/8-16 SPRING NUT
C	5896248	8	3/8-16 X 1-1/4" HHCS
26	5896406	8	3/8 WASHER SAE
G	5896282	8	1/2-13 X 1-1/2" HHCS
H	5840105	8	1/2-13 SQUARE NUT ALUM
24	5840103	8	NUT HEX NYLOCK 3/8-16 ALUM
25	5897017	8	HHCS 3/8-16 X 3-1/4 SS

4.2 #3636233 / 3636236 / 3636239 VL6-8K, HVL5-7K GUIDE ON Carton Of Parts

(36" / 45" / 54" TALL)

REF #	PART #	QTY	DESCRIPTION
31	3636505 / 3636508 3636511	4	GUIDE ON SQUARE TUBE UPPER ASSY 36" / 45" / 54"
30	3636520	2	GUIDE ON SQUARE TUBE LH LOWER 3-9/16" U-BRKT
30	3636523	2	GUIDE ON SQUARE TUBE RH LOWER 3-9/16" U-BRKT
	3636324	1	VL6-8K, HVL5K GUIDE ON / U-BRACKET BAG OF BOLTS consisting of:
20	5805898	8	3/8-16 SPRING NUT
C	5896248	8	3/8-16 X 1-1/4" HHCS
26	5896406	8	3/8 WASHER SAE
G	5896282	8	1/2-13 X 1-1/2" HHCS
H	5840105	8	1/2-13 SQUARE NUT ALUM
24	5840103	8	NUT HEX NYLOCK 3/8-16 ALUM
25	5896262	8	HHCS 3/8-16 X 4-1/2 SS

4.3 #3679805 / 3679815 / 3679827 / 3610209 VL1.6K-VL4K WOOD GUIDE ON Carton Of Parts

(25" / 34" / 43" TALL)

REF #	PART #	QTY	DESCRIPTION
30	3608027 / 3608025 3610920	4	WOOD GUIDE ON BASE SUPT ASSY 12" STD / 21" STD / 21" HD
31	3608028 / 3618028 3610925	4	WOOD GUIDE ON UPPER TUBE ASSY 12" STD / 21" STD / 21" HD
	3602901	1	VL1.6K-VL4K WOOD GUIDE ON SS BAG OF BOLTS consisting of:
28	3603835	8	2-HOLE PLATE 2"
25	5806243	16	WASHER SPLIT LOCK 3/8 SS
24	5803638	16	NUT HEX 3/8-16 SILICON BRONZE
26	5896406	16	3/8 WASHER SAE
27	5898100	8	BOLT U SQ BD 3/8 X 2-1/8 X 6 SS
20	5805898	8	3/8-16 SPRING NUT
C	5896248	8	3/8-16 X 1-1/4" HHCS
G	5896282	4	1/2-13 X 1-1/2" HHCS
H	5840105	4	1/2-13 SQUARE NUT ALUM

4.4 #3610213 / #3610216 / #3610219 / #3679809 / #3679810 / #3679816 / #3679828 / #3679850
VL5K/6K09 WOOD GUIDE ON Carton Of Parts

(25" / 34" / 43" / 53")

REF #	PART #	QTY	DESCRIPTION
30	3608027 / 3608025 3608026 / 3610920 3610930	4	WOOD GUIDE ON BASE SUPT ASSY 12" STD / 21" STD / 30" STD / 21" HD / 30" HD
31	3608028 / 3618028 3618029 / 3610925 3610935	4	WOOD GUIDE ON UPPER TUBE ASSY 12" STD / 21" STD / 30" STD / 21" HD / 30" HD
	3602910	1	VL5K WOOD GUIDE ON SS BAG OF BOLTS consisting of:
20	5805898	8	3/8-16 SPRING NUT
24	5803638	16	NUT HEX 3/8-16 SILICON BRONZE
25	5806243	16	WASHER SPLIT LOCK 3/8 SS
26	5896406	16	3/8 WASHER SAE
27	5895900	8	BOLT U SQ BD 3/8 X 3-1/8 X 6-5/8 SS
28	3606921	8	2-HOLE PLATE 3"
C	5896248	8	3/8-16 X 1-1/4" HHCS
G	5896282	4	1/2-13 X 1-1/2" HHCS
H	5840105	4	1/2-13 SQUARE NUT ALUM

4.5 #3652238 / #3652242 / 3652246 / 3652250 / 3652254 / 3652258 / 3679807 / 3679820
VL4.5K/VL5KSR09 WOOD GUIDE ON Carton Of Parts

(25" / 34" / 43" / 53" / 62")

REF #	PART #	QTY	DESCRIPTION
30	3608027 / 3608025 3608026 / 3610920 3610930	4	WOOD GUIDE ON BASE SUPT ASSY 12" STD / 21" STD / 30" STD / 21" HD / 30" HD
31	3608028 / 3618028 3618029 / 3610925 3610935	4	WOOD GUIDE ON UPPER TUBE ASSY 12" STD / 21" STD / 30" STD / 21" HD / 30" HD
	3602905	1	VL4.5-5KSR09 WOOD GUIDE ON SS BAG OF BOLTS consisting of:
20	5805898	8	3/8-16 SPRING NUT
24	5803638	16	NUT HEX 3/8-16 SILICON BRONZE
25	5806243	16	WASHER SPLIT LOCK 3/8 SS
26	5896406	16	3/8 WASHER SAE
27	5895900	8	BOLT U SQ BD 3/8 X 3-1/8 X 6-5/8 SS
28	3606921	8	2-HOLE PLATE 3"
C	5896248	8	3/8-16 X 1-1/4" HHCS
G	5896282	4	1/2-13 X 1-1/2" HHCS
H	5840105	4	1/2-13 SQUARE NUT ALUM

4.6 #3679829 / #3679830 / #3679831 / #3679860 / #3610223 / #3610226 / #3610229
VL6K/7K WOOD GUIDE ON Carton Of Parts

(34" / 43" / 53" / 62")

REF #	PART #	QTY	DESCRIPTION
30	3608025 // 3608026 3610920 / 3610930	4	WOOD GUIDE ON BASE SUPT ASSY 21" STD / 21" HD / 30" STD / 30" HD
31	3608028 / 3618028 3619029 / 3610925 3610935	4	WOOD GUIDE ON UPPER TUBE ASSY 12" STD / 21" STD / 21" HD / 30" STD / 30" HD
	3602930	1	VL6K-7K WOOD GUIDE ON SS BAG OF BOLTS consisting of:
25	5806243	16	WASHER SPLIT LOCK 3/8 SS
26	5896406	16	3/8 WASHER SAE
27	5895901	4	BOLT U SQ BD 3/8 X 3-1/8 X 8-5/8 SS
27	5895905	4	BOLT U SQ BD 3/8 X 2-1/8 X 8-5/8 SS
24	5803638	16	NUT HEX 3/8-16 SILICON BRONZE
28	3603835	4	2-HOLE PLATE 2"
28	3606921	4	2-HOLE PLATE 3"
20	5805898	8	3/8-16 SPRING NUT
C	5896248	8	3/8-16 X 1-1/4" HHCS
G	5896282	4	1/2-13 X 1-1/2" HHCS
H	5840105	4	1/2-13 SQUARE NUT ALUM

4.7 #3688160 / #3688184 / #3688190 / #3688196 HVL7K / VL8K WOOD GUIDE ON Carton Of Parts

(34" / 43" / 53" / 62")

REF #	PART #	QTY	DESCRIPTION
30	3608025 / 3610920 3610930	4	WOOD GUIDE ON BASE SUPT ASSY 21" STD / 21" HD / 30" HD
31	3608028 / 3610925 3610935	4	WOOD GUIDE ON UPPER TUBE ASSY 12" STD / 21" HD / 30" HD
	3688154	1	VL8K WOOD GUIDE ON SS BAG OF BOLTS consisting of:
25	5806243	16	WASHER SPLIT LOCK 3/8 SS
26	5896406	16	3/8 WASHER SAE
27	5895901	8	BOLT U SQ BD 3/8 X 3-1/8 X 8-5/8 SS
24	5803638	16	NUT HEX 3/8-16 SILICON BRONZE
28	3606921	8	2-HOLE PLATE 3"
20	5805898	8	3/8-16 SPRING NUT
C	5896248	8	3/8-16 X 1-1/4" HHCS
G	5896282	4	1/2-13 X 1-1/2" HHCS
H	5840105	4	1/2-13 SQUARE NUT ALUM

4.8 #3603822 GUIDE ON WOOD BUNDLE (STANDARD)

REF #	PART #	QTY	DESCRIPTION
10	3608058	2	GUIDE ON STANDARD CARPETED WOOD

4.9 #3638225 GUIDE ON WOOD BUNDLE (NARROW)

REF #	PART #	QTY	DESCRIPTION
10	3680585	2	GUIDE ON NARROW CARPETED WOOD

4.10 #3682275 GUIDE ON WOOD AND ALUMINUM BUNDLE (STANDARD)

REF #	PART #	QTY	DESCRIPTION
10	3600299	2	GUIDE ON ALUMINUM AND CARPETED WOOD 12'

4.11 #3697208 A/V GUIDE ON BDL 138-1/2" BLACK

REF #	PART #	QTY	DESCRIPTION
10	3697511	2	ALUMINUM/VINYL GUIDE ON ASSY 138-1/2" BLACK

4.12 #3682202 / 3682210 WOOD GUIDE ON W/BOW STOP BUNDLE (REGULAR & NARROW)

REF #	PART #	QTY	DESCRIPTION
10	3602196 / 3602191	2	WOOD GUIDE ON FOR BOW STOP (REGULAR / NARROW)
A	3602184	1	BOW STOP TUBE ARM RIGHT HAND
B	3602183	1	BOW STOP TUBE ARM LEFT HAND
C	3602169	1	BOW STOP CROSS TUBE
D	3602179	1	BOW STOP WOOD BUMPER
	3682253	1	WOOD GUIDE ON BAG OF BOLTS consisting of;
3	3603835	4	2-HOLE PLATE 2"
I	5803638	12	NUT HEX 3/8-16 SILICON BRONZE
20	5805898	8	NUT SPRING UNI 3/8-16 CZP
L	5806243	12	WASHER SPLIT LOCK 3/8 SS
G	5893000	4	BOLT U SQ BD 3/8 X 2-1/8 X 6-1/2 SS
H	5896080	2	BOLT U 3/8-16 X 2 X 4 SS
42	5896249	8	HHCS 3/8-16 X 1-1/2 SS
-	5896257	8	HHCS 3/8-16 X 3-1/2 SS
J	5896406	12	WASHER FLAT SAE 3/8" SS

4.13 #3652001 VL4-8K WAKE BOARD RUB RAIL GUIDE ON KIT BLACK

REF #	PART #	QTY	DESCRIPTION
	3652280	1	WAKEBOARD RUB RAIL GUIDE ON BUNDLE consisting of:
10	3652804	1	WAKEBOARD RUB RAIL GUIDE ON LH 138"
10	3652822	1	WAKEBOARD RUB RAIL GUIDE ON RH 138"
	3652295	1	WAKEBOARD GUIDE ON CUSHION Carton Of Parts consisting of:
13	7236625	14	WAKEBOARD GUIDE ON CUSHION 2 X 4 X 36 BLACK
	3652277	1	WAKEBOARD GUIDE ON MOUNTING BRKT Carton Of Parts consisting
12	3652701	6	RUB RAIL VERT MTG BRKT WELDMNT
11	3652704	2	RUB RAIL FRONT GUIDE-ON MTG WLDMNT
	3652283	1	VL4-8K RUB RAIL GUIDE ON BAG OF BOLTS consisting of;
20	5805898	4	NUT SPRING UNI 3/8-16 CZP
23	5840103	54	NUT HEX NYLOCK 3/8-16 ALUM
24	5896247	12	HHCS 3/8-16 X 1 SS
25	5896249	24	HHCS 3/8-16 X 1-1/2 SS
26	5896253	18	HHCS 3/8-16 X 2-1/2 SS
21	5896268	4	HHCS 3/8-16 X 2-3/4 SS
22	5896406	52	WASHER FLAT SAE 3/8" SS

4.14 #3652007 VL10K WAKE BOARD RUB RAIL GUIDE ON KIT BLACK

REF #	PART #	QTY	DESCRIPTION
	3652282	1	WAKEBOARD RUB RAIL GUIDE ON BUNDLE consisting of:
10	3652833	1	WAKEBOARD RUB RAIL GUIDE ON LH 168"
10	3652837	1	WAKEBOARD RUB RAIL GUIDE ON RH 168"
	3652298	1	WAKEBOARD GUIDE ON CUSHION Carton Of Parts consisting of:
13	7236625	18	WAKEBOARD GUIDE ON CUSHION 2 X 4 X 36 BLACK
	3652279	1	WAKEBOARD GUIDE ON MOUNTING BRKT Carton Of Parts consisting
12	3652701	8	RUB RAIL VERT MTG BRKT WELDMNT
11	3652704	2	RUB RAIL FRONT GUIDE-ON MTG WLDMNT
	3652285	1	VL10K RUB RAIL GUIDE ON BAG OF BOLTS consisting of;
20	5805898	4	NUT SPRING UNI 3/8-16 CZP
23	5840103	70	NUT HEX NYLOCK 3/8-16 ALUM
24	5896247	16	HHCS 3/8-16 X 1 SS
25	5896249	30	HHCS 3/8-16 X 1-1/2 SS
26	5896253	24	HHCS 3/8-16 X 2-1/2 SS
21	5896268	4	HHCS 3/8-16 X 2-3/4 SS
22	5896406	58	WASHER FLAT SAE 3/8" SS

4.15 #3697214 VL A/V GUIDE ON W/BOW STOP SS BUNDLE BLACK

REF #	PART #	QTY	DESCRIPTION
10	3697511	2	A/V GUIDE ON ASSY 138-1/2" BLACK
A	3602184	1	BOW STOP TUBE ARM RIGHT HAND
B	3602183	1	BOW STOP TUBE ARM LEFT HAND
C	3602169	1	BOW STOP CROSS TUBE

D	3602179	1	BOW STOP WOOD BUMPER
41	3602162	4	VL BOW STOP SPACER TUBE 5"
	3682253	1	VL WOOD GUIDE ON BAG OF BOLTS consisting of;
3	3603835	4	2-HOLE PLATE 2"
I	5803638	12	NUT HEX 3/8-16 SILICON BRONZE
20	5805898	8	NUT SPRING UNI 3/8-16 CZP
L	5806243	12	WASHER SPLIT LOCK 3/8 SS
G	5893000	4	BOLT U SQ BD 3/8 X 2-1/8 X 6-1/2 SS
H	5896080	2	BOLT U 3/8-16 X 2 X 4 SS
-	5896249	8	HHCS 3/8-16 X 1-1/2 SS
42	5896257	8	HHCS 3/8-16 X 3-1/2 SS
J	5896406	12	WASHER FLAT SAE 3/8" SS

TWO YEAR LIMITED WARRANTY

Reimann & Georger Corporation Marine Products

This product is warranted by RGC® Marine Products to the original purchaser to be free from defects in material and workmanship under normal use for a period of two years from the date of purchase.

During the warranty period, and upon proof of purchase, the product will be repaired or replaced (with the same or similar model) at our option, without charge for either parts or labor when serviced at RGC® Marine Products.

Upon completion of repair, the unit will be returned to the customer freight prepaid. The warranty will not apply to this product if it has been misused, abused, or altered.

NEITHER THIS WARRANTY OR ANY OTHER WARRANTY, EXPRESS OR IMPLIED, INCLUDING IMPLIED WARRANTIES OF MERCHANTABILITY, SHALL EXTEND BEYOND THE WARRANTY PERIOD. NO RESPONSIBILITY IS ASSUMED FOR ANY INCIDENTAL OR CONSEQUENTIAL DAMAGES. SOME STATES DO NOT ALLOW EXCLUSION OR LIMITATION OF INCIDENTAL OR CONSEQUENTIAL DAMAGES, SO THE ABOVE LIMITATIONS OR EXCLUSIONS MAY NOT APPLY TO YOU.

This warranty gives you specific legal rights, and you may also have other rights which vary from state to state.